

Figure #1 - ATE-ASE & UTE-USE Shower Door Assembly

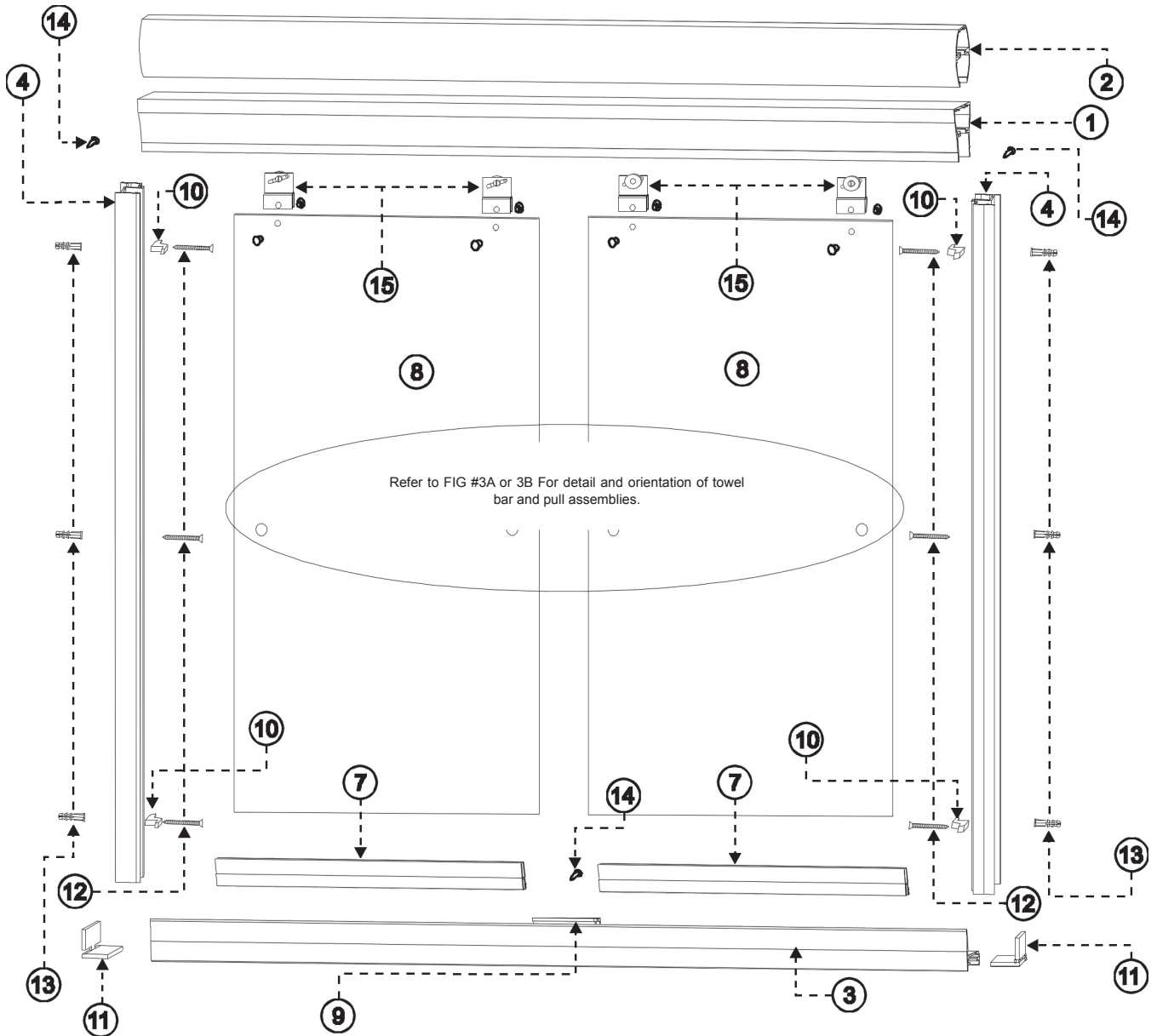


Figure # 2 - Shower Door Assembly - Side View

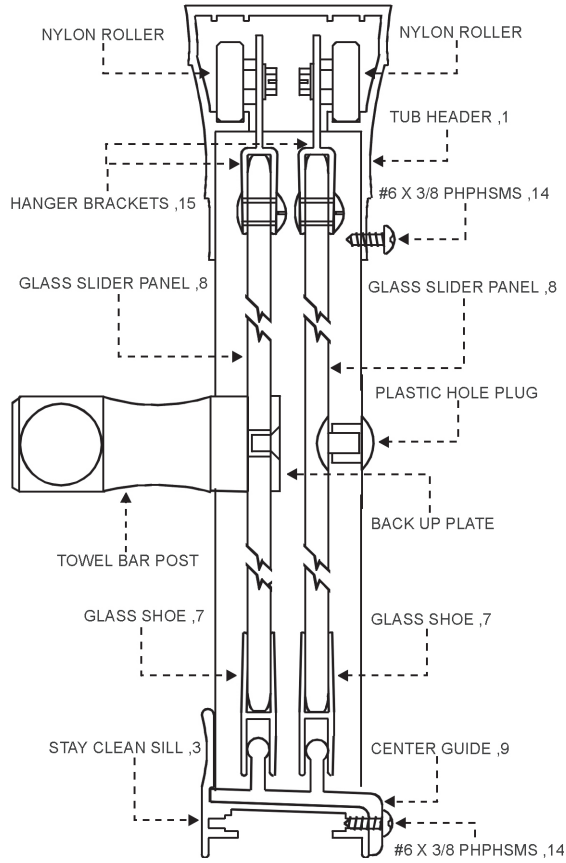


Figure # 3a - Shower Door Assembly - Top View

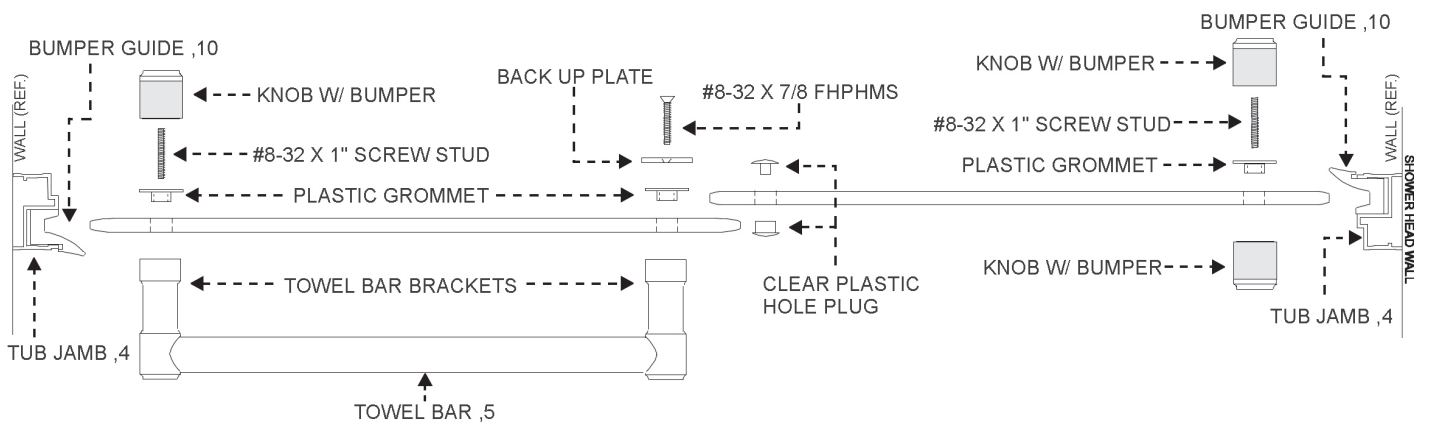


Figure # 3b - Shower Door Assembly - Top View
(Refer to Euro Towel Bar Installation Instruction)

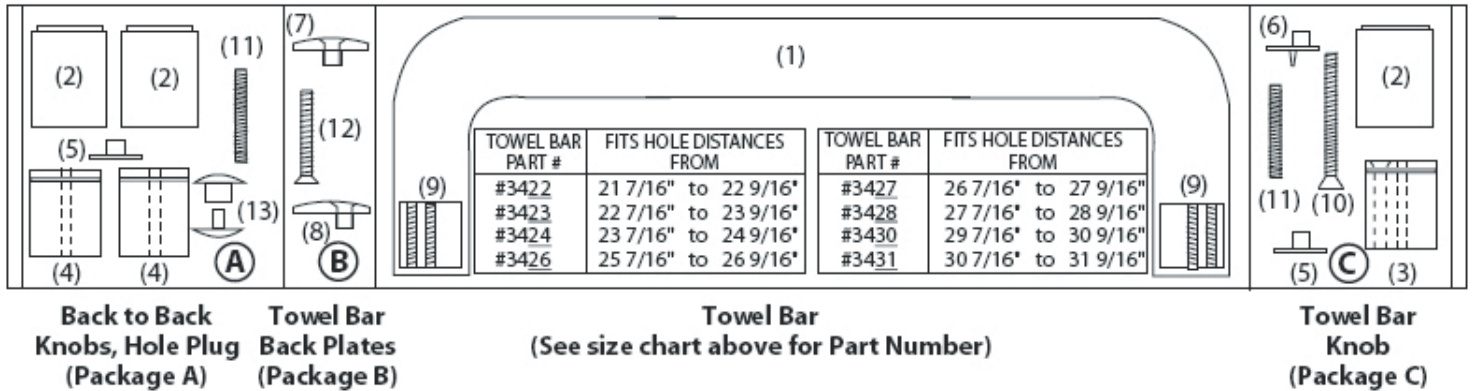


Figure # 4

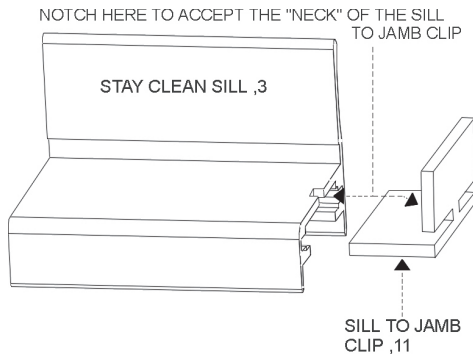


Figure # 5

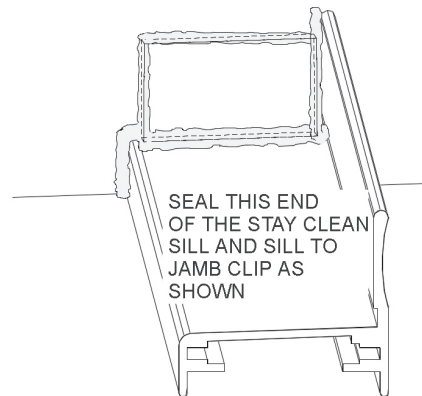
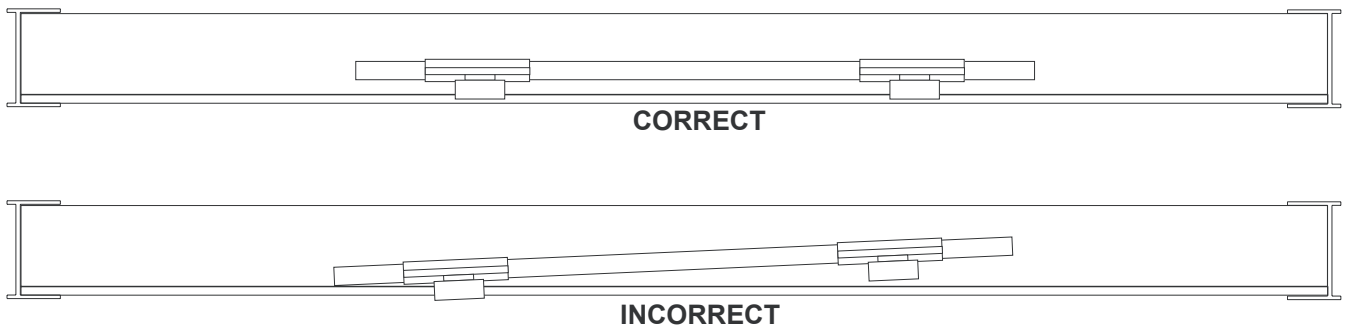


FIG. #6 - Top View - Looking Down at the sill with Panel Installed In Header.



**Installation Instructions for the
Accent/Euro Collection Two-Panel Sliding Enclosure.
Model: ATE-ASE & UTE-USE
Drawing Number: 6147 Rev. Date: 08-30-07**



6147 - ATE-ASE & UTE-USE Parts List

ITEM	PART #	DESCRIPTION	QTY.	ITEM	PART #	DESCRIPTION	QTY.
1	1040	TUB HEADER	1	9	2205	AVG-1 CENTER GUIDE	1
2	1049	EURO TUB HEADER	1	10	2208	AVB-2 BUMPER GUIDE	4
3	1120	STAY CLEAN SILL	1	11	2008	SILL TO JAMB CLIP	2
4	1042	TUB JAMB	2	12	2101	#8 X 1-1/2 FHPHSMS	6
5	FIG. 3A	STD. TOWEL BAR ASSY.	1	13	2217	WALL ANCHOR	6
6	FIG. 3B	EURO TOWEL BAR ASSY.	1	14	2102	#6 X 3/8 PHPHSMS	3
7	1121	GLASS SHOE	2	15	2256	HANGER BRACKET ASSY	4
8	7002	SLIDING GLASS PANEL	2	16	2215	ADJUSTMENT WRENCH	1

6147 - ATE-ASE & UTE-USE Assembly Instructions



SAFETY WARNING:

These installation instructions must be followed to ensure proper operation of the door and to reduce the risk of serious injury. Any deviation from these instructions can result in a serious safety hazard.

All exposed ends of aluminum that are rough, sharp or jagged due to the metal being cut, drilled or damaged should be deburred, smoothed or rounded by the installer before installation. Failure to do so could result in serious injury to the user of the enclosure.

Any part of the swinging glass panels hitting any unprotected bathroom obstruction or metal or glass component of the shower door itself, may indicate improper installation and could lead to serious injury. Installers must correct the deficiencies before allowing the door to be used.



STEP 1 - STAY CLEAN SILL:

Measure wall to wall 1/2" above the tub rim. Subtract 1/16" from this dimension and cut the Stay Clean Sill (Item # 3) to this length. NOTE: It may be necessary to file a radius on the ends of the Stay Clean Sill to fit snugly against the wall. Set the sill onto the tub rim or shower sill. Make sure that the reveal on the tub rim is even all the way across. Mark the location of the Stay Clean Sill on the tub rim at the point where it meets each wall so that the sill can be repositioned correctly later. The Stay Clean Sill must now be notched to accept the Sill to Jamb Clips that lock the Sill into place. Remove the Stay Clean Sill from the tub rim. Take one of the Sill to Jamb Clips (Item #11) and, using it as a template, slide it into one end of the Stay Clean Sill as shown in FIG. #4. Be sure that the clip is oriented as in the picture with 1/8" x 1/8" "neck" portion of the clip pointing up. Mark the neck of the clip onto the sill. Using a standard 1/8" thick medium file, cut a notch that is 1/8" deep. This will allow the clip to be flush with the end of the sill. Repeat this procedure with the opposite end of the sill. Find the center of the Stay Clean Sill, and place the Center Guide (Item #9) into place. Using the factory hole as template, drill through the hole into the sill with a #32 wire gauge. NOTE: Do not attach the Center Guide at this time. With the Sill to Jamb Clips in place, set the Stay Clean Sill back onto the tub rim and realign with location marks made earlier in this step. Use masking tape to temporarily hold the sill in place.

**Installation Instructions for the
Accent/Euro Collection Two-Panel Sliding Enclosure.**

Model: ATE-ASE & UTE-USE

Drawing Number: 6147 Rev. Date: 08-30-07



STEP 2 - TUB JAMBS:

Place one of the Tub Jambs (Item #4) against the showerhead wall. **IMPORTANT NOTE:** The Tub Jamb should be oriented so that the channel that has the countersunk installation holes in it is to the inside of the shower enclosure to allow the inside panel to close at the shower head wall, which is necessary for water protection. Please refer to FIG. #3A for proper orientation. The lower end of the Tub Jamb should rest on the horizontal surface of the Stay Clean Sill, and over the vertical leg of the 90° Sill to Jamb Clip. Using a level, plumb the Tub Jamb and mark all three factory hole locations onto the wall using the Tub Jamb as a template. Remove the Tub Jamb and drill the three holes using a 3/16" drill bit. Insert three Wall Anchors (Item #13). The end of the Stay Clean Sill must now be sealed to prevent water from leaking outside of the enclosure. Apply caulk at this time. Please refer to FIG. #5 for sealant location. Replace the Tub Jamb and realign with the holes. Position one Bumper Guide (Item #10) over the top and bottom holes then secure the Tub Jamb with three #8 X 1- 1/2" FHPHSMS (Item #12). For the second Tub Jamb, you must first check to make sure that the Stay Clean Sill has not moved. Readjust if necessary. Place the second Tub Jamb on the wall opposite the shower head. This jamb must be reversed from the first one that is already installed by orienting the channel with the countersunk installation holes to the outside of the shower enclosure to accept the outside sliding panel. Set the Tub Jamb in place on the horizontal surface of the Stay Clean Sill and over the vertical leg of the Sill to Jamb Clip as the first jamb was done. Using a level, plumb the jamb, but mark only the bottom hole. Remove the jamb and drill with a 3/16" drill bit. Install one Wall Anchor (Item #13), then position a Bumper Guide (Item #10) over the bottom hole of the jamb and secure with one #8 X 1-1/2" FHPHSMS (Item #12). This will allow the Tub Jamb to be moved side to side for final adjustment later.

STEP 3 - TUB HEADER:

Measure wall to wall at the top of the Tub Jambs, then subtract 1/16" from this dimension and cut the Tub Header (Item #1 or Item #2) to its finished length. Set the header in place over the top of the Tub Jambs. Be sure that the roller channels of the header are resting firmly on the Tub Jambs. Make sure that the Tub Jamb with only one screw in it is snug, but still is able to move side to side.

STEP 4 - PANEL INSTALLATION:

Hang the outside panel only in place in the Header. Make sure that the rollers are firmly seated in the Header roller channel. Slide it all the way towards the fully secured Tub Jamb Standing outside of the shower, hold the Header at the top where it meets the unsecured Tub Jamb. **BE VERY CAREFUL TO KEEP CONTROL OF THE HEADER SO THAT THE SLIDING GLASS PANELS CAN NOT FALL.** Slowly, move the sliding panel to the middle of the opening. Adjust the header inside to outside, seeking a point where the outside face of the panel laying against the vertical leg of the Stay Clean Sill, exactly parallels it. The full width of the glass panel must contact the T-Fin of the Stay Clean Sill, not hitting on one edge or the other only. Now the panel is tracking on the same line as the Stay Clean Sill (Fig #6). Mark the position of the Tub Jamb onto the wall. Slide the panel back to the secured Tub Jamb and remove the sliding panel and set it in a safe place. Move the Tub Jamb back to the marked location on the wall and mark the final two hole locations. Remove the Tub Jamb and drill the holes with a 3/16" drill bit. Insert two Wall Anchors, (Item #13). Realign the Tub Jamb and secure with three #8 X 1-1/2 FHPHSMS, (Item #12), attaching a Bumper Guide, (Item #10), with each screw (Fig. #1). Make sure the Bumper Guides are oriented to accept the proper panel. Install both of the sliding glass panels as you did earlier in this step, then install the Center Guide, (Item #9).

**Installation Instructions for the
Accent/Euro Collection Two-Panel Sliding Enclosure.**

Model: ATE-ASE & UTE-USE

Drawing Number: 6147 Rev. Date: 08-30-07



STEP 5 - TOWEL BARS AND PULLS:

Please determine the correct towel bar for your model, Accent or Euro, before proceeding. **WARNING:** This shower door should not be installed without grommets. The grommets prevent the glass from touching the metal screw. If the metal touches the glass, the glass can break and create a serious safety hazard.

ACCENT TOWEL BAR - Figure #3A:

On the outside Sliding Glass Panel, measure between the towel bar holes from center to center. Cut the Towel Bar (Item #5) to this dimension. For the pull assemblies, start by sliding the glass panels to their proper closed position. You will notice that the two center holes are inaccessible because of the overlap in the panels. Make them accessible by sliding each panel to the opposite wall. Now the holes are at the outside edges. Begin installing the pull assemblies with the panels in this position. Start by installing the Male and Female Clear Plastic hole plug into the exposed hole on the inside panel. Through the exposed hole on the outside panel, place one Grommet in the hole, followed from the inside with a Back Up Plate and one #8-32 X 7/8" FHPHMS that will thread into the Towel Bar Bracket on the outside of the panel. Follow the detailed drawing in FIG. #3A, for proper orientation and assembly. If it is necessary to allow the glass panels to totally bypass each other, contact your Agalite representative and ask for part number 3013 in the appropriate color.

EURO TOWEL BAR - Figure #3B:

Please refer to the instructions sheet included In the Euro Towel Bar Package.

STEP 7 - PANEL ADJUSTMENT:

If either panel is skewed or rubs against the sill, adjust the panels by loosening the hex nut on any of the Hanger Brackets with the Adjustment Wrench (Item #16), provided in the parts kit, and compensate the panels for the wall conditions. **NOTE:** The panels need not be removed from the header to adjust. Attach the header assembly to the Tub Jamb by drilling, from the inside of the shower, through the header into the Tub Jamb with a 1/8" drill bit. Secure with two #6 X 3/8" PHPHMS (Item #14).

STEP 8 - CAULK:

Apply a bead of caulk along the entire inside of the enclosure where it meets the walls and base.