

Figure #1 - VS180 & VS280 Shower Door Assembly

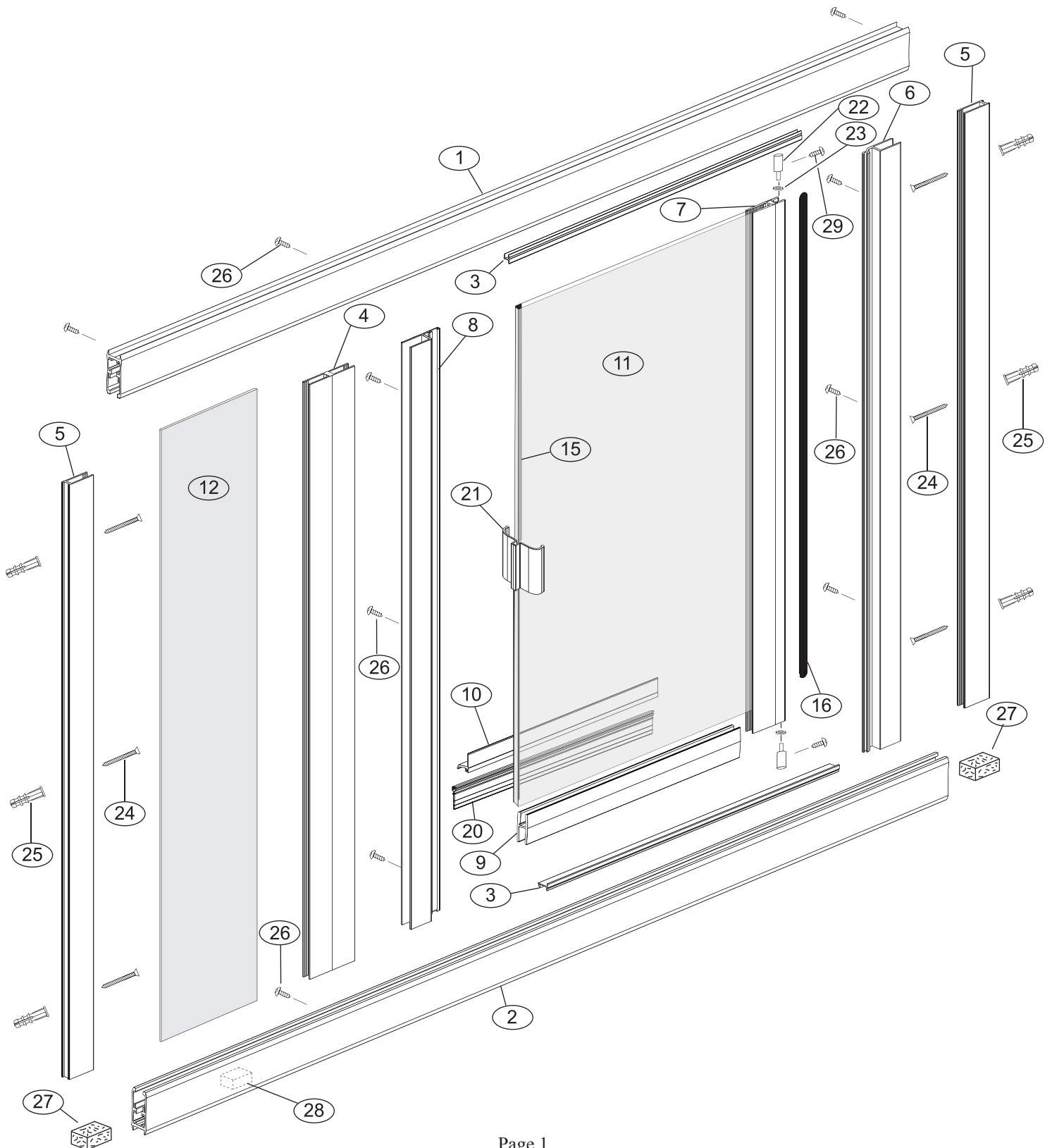
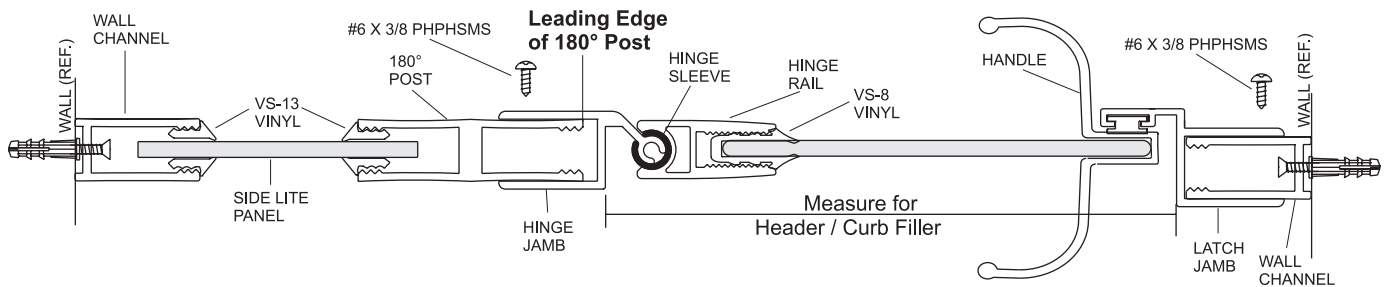
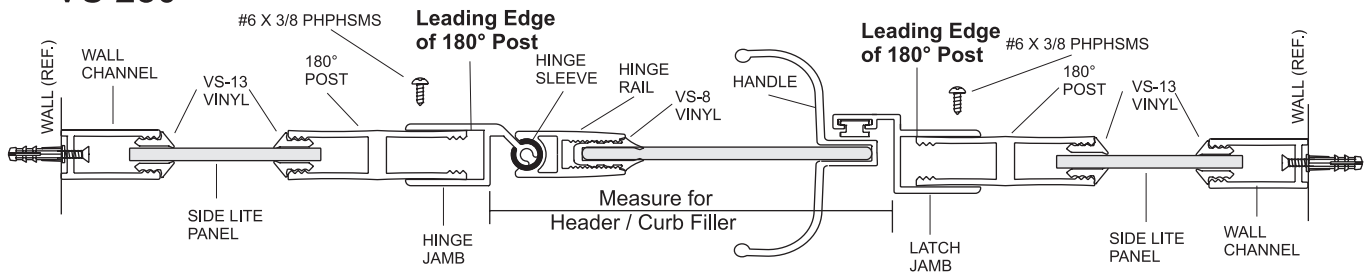


Figure #2 - VS180 & VS280 Shower Door Assembly - Top View

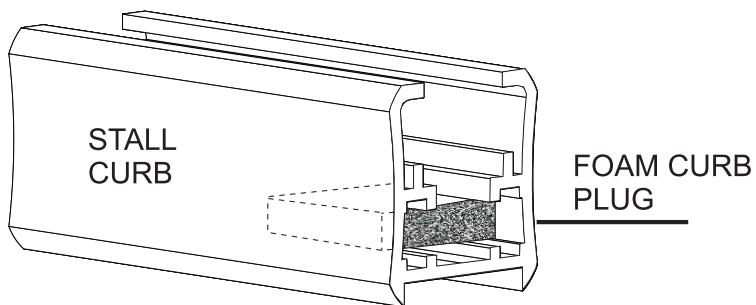
VS 180



VS 280



**Figure #3
Foam Curb Plug**



**FILL RECESS BOTH
ENDS WITH SEALANT**

**Figure #4
VSD Magnet Strip**

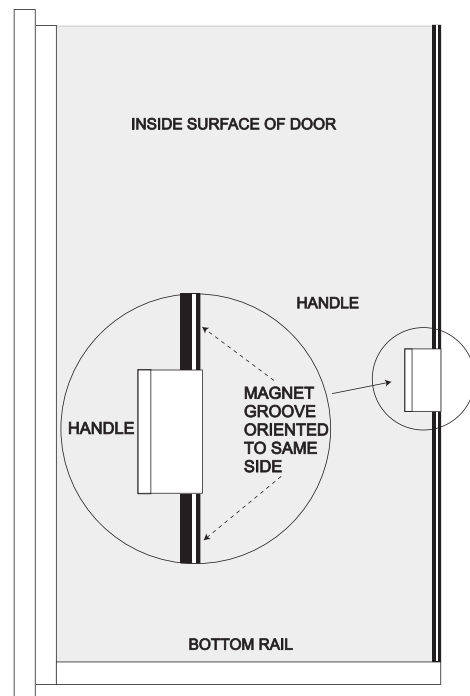


Figure #5 - VS180 & VS280 - Side View

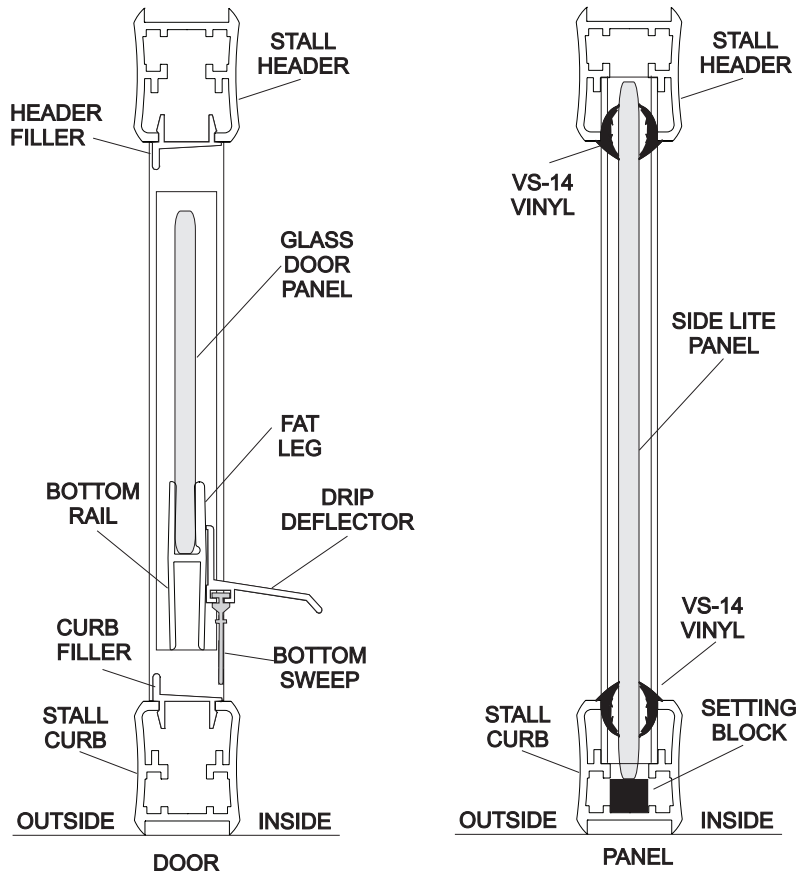
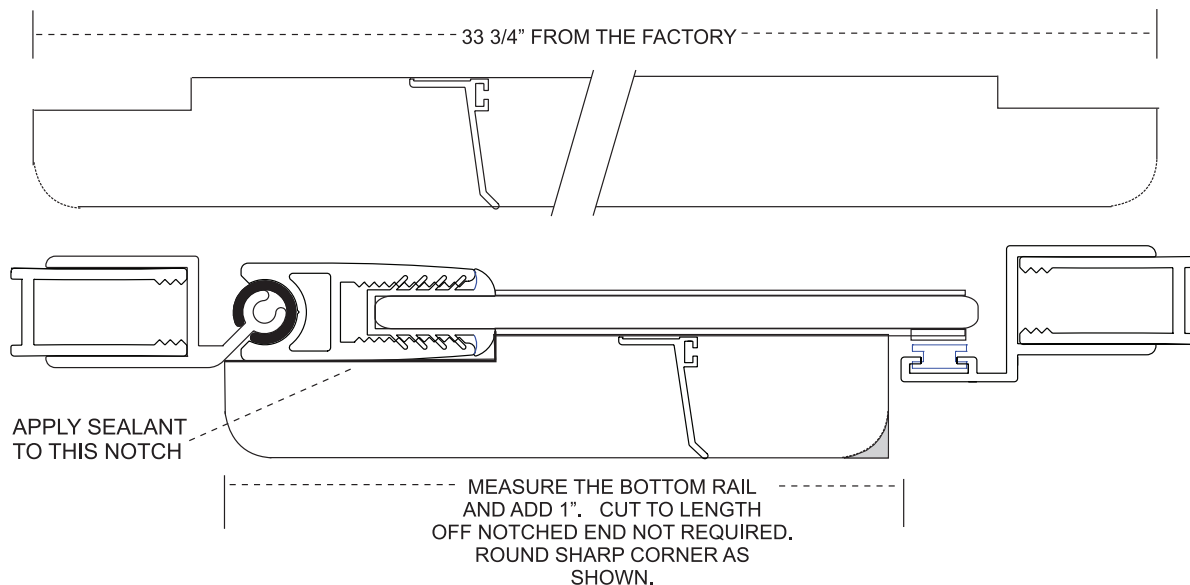


Figure #6 - VS180 & VS280 Drip Deflector Preparation



**Installation Instructions for the
Vision Collection Swing Door w/ In-line Panel.
Model: VS180 & VS280
Drawing Number: 6172 Rev. Date: 12-08-08**



VS180 & VS280 Parts List

ITEM	PART #	DESCRIPTION	QTY VS180	QTY VS280	ITEM	PART #	DESCRIPTION	QTY VS180	QTY VS280	ITEM	PART #	DESCRIPTION	QTY VS180	QTY VS280
1	1071	STALL HEADER	1	1	11	7102	GLASS DOOR PANEL	1	1	21	3018	HANDLE	1	1
2	1071	STALL CURB	1	1	12	7106	GLASS SIDE LITE PANEL	1	2	22	2001	HINGE PIN	2	2
3	1072	HEADER / CURB FILLER	2	2	13	4009	VS-8 BOOT VINYL	1	1	23	2002	FLAT WASHER	2	2
4	1073	180° POST	1	2	14	4100	LATCH JAMB MAGNET	1	1	24	2101	#8 X 1-1/2 FHPHMS	6	6
5	1068	JAMB FILLER / WALL CHANNEL	2	2	15	4102	ADHESIVE MAGNET	1	1	25	2217	3/16 WALL ANCHOR	6	6
6	1165	HINGE JAMB	1	1	16	4034	HINGE SLEEVE	1	1	26	2102	6 X 3/8 PHPHMS	10	12
7	1166	HINGE RAIL	1	1	17	4023	VS-11 HANDLE VINYL	1	1	27	2204	FOAM CURB PLUGS	2	2
8	1193	LATCH JAMB	1	1	18	4013	VS-13 VERTICAL VINYL	4	8	28	2203	SETTING BLOCKS	1	2
9	1169	BOTTOM RAIL	1	1	19	4014	VS-14 HORIZONTAL VINYL	4	8	29		#6 X 1/2 PHPH TYPE F	2	2
10	1097	DRIP DEFLECTOR	1	1	20	4018	VW-2 BOTTOM SWEEP	1	1					



6172 - VS180 & VS280 Assembly Instructions



SAFETY WARNING:

These installation instructions must be followed to ensure proper operation of the door and to reduce the risk of serious injury. Any deviation from these instructions can result in a serious safety hazard.

All exposed ends of aluminum that are rough, sharp or jagged due to the metal being cut, drilled or damaged should be de-burred, smoothed or rounded by the installer before installation. Failure to do so could result in serious injury to the user of the enclosure.

Any part of the swinging glass panels hitting any unprotected bathroom obstruction or metal or glass component of the shower door itself, may indicate improper installation and could lead to serious injury. Installers must correct the deficiencies before allowing the door to be used.

STEP 1 - VS180 / VS280

Measure the wall to wall opening 1/2" above the threshold. Subtract 1/16" and cut the Stall Curb, (ITEM #2), to length. Insert one Foam Curb Plug (ITEM # 27), into each end, recessing them 1/8". Seal each end with sealant. See (FIG. #3) Set curb section in place and mark the curb location at each wall. NOTE: Ensure the weep holes are oriented to the inside of the shower. Insert Setting Block(s), (ITEM #28), into the curb where a side lite panel will sit. The glass must not sit directly on the metal curb.

STEP 2 - VS180 / VS280

Insert a Wall Channel, (ITEM #5), into the Stall Curb at each wall, one at a time, plumb with a level and mark the factory holes onto the walls. Drill the holes with a 3/16" drill bit (use carbide tip bit if going into tile or other masonry types of materials) insert Wall Anchors, (ITEM #25), and secure both Wall Channels to the walls with #8 X 1-1/2 FHPHMS, (ITEM #24).

STEP 3 - VS180 ONLY

Insert the Side Lite Panel, (ITEM #12), into the Stall Curb and Wall Channel, resting on a Setting Block. NOTE: If patterned or frosted glass is used, ensure that the rough side faces outward. Insert the 180° Post, (ITEM #4), into the Stall Curb and over the edge of the Side Lite Panel. Adjust the door opening by noting what width door has been supplied and subtract 3/4". Mark this dimension onto the Stall Curb measuring from the door side wall. Move the leading edge of the 180° Post to this mark. See (FIG. #2) for detail. Temporarily hold the post and glass in place by glazing the top 1" – 2" of the panel into the channels with VS-13 Vinyl, (ITEM #18). Do not cut the vinyl at this time.

VS280

Insert the Side Lite Panels, (ITEM #12), into the Stall Curb and Wall Channels, resting on a Setting Block. NOTE: If patterned or frosted glass is used, ensure that the rough side faces outward. Insert the 180° Posts, (ITEM #4), into the Stall Curb and over the edge of the Side Lite Panels. Measure and mark the center of the Stall Curb. Adjust the 180° Posts for the door opening by noting what width door has been supplied and subtract 1-3/4". Center this dimension over the center of the Stall Curb and mark it onto the curb. Bring the leading edges of the 180° Posts to these marks. See (FIG. #2) for detail.

Installation Instructions for the Vision Collection Swing Door w/ In-line Panel.

Model: VS180 & VS280

Drawing Number: 6172 Rev. Date: 12-08-08



STEP 4 - VS180 / VS280

Measure wall to wall at the top of the vertical posts. Subtract 1/16" and cut the Stall Header, (ITEM #1), to length. Set header in place over the top of the vertical posts. Verify that the bottom(s) of the 180° Post(s) have not moved from their marks then tap the top(s) of the 180° Posts into a plumb position. From the inside of the shower, attach the header by drilling through the header into the verticals with a #32 wire gauge drill bit. The glass panels should be tilted out of the way while drilling holes. Secure header with #6 X 3/8 PHPHSMS, (ITEM #26). Only the bottom(s) of the 180° Post(s) need to be secured using this same method.

STEP 5 - VS180 / VS280

Center a Side Lite Panel between its posts and glaze the verticals with 4 – VS-13 Glazing Vinyl, (ITEM #18). Glaze the top and bottom of the panel with 4 – VS-14 Glazing Vinyl, (ITEM #19). See (FIG.#5). Repeat this procedure for a second Side Lite Panel.

STEP 6 - VS180 / VS280

Set the Latch Jamb, (ITEM #8), in place over the appropriate vertical post, but do not secure at this time. Orient the door so that it will open outwards and slide it over the opposite post. Adjust the Hinge and latch jamb somewhat equally off their respective vertical posts, (Primary Adjustment). Adjust Hinge Jamb so that the top of the door is parallel with the bottom of the header. From the inside of the shower, drill the top hole on the Hinge Jamb into the vertical post with a #32 wire gauge drill bit. Secure with a #6 X 3/8 PHPHSMS, (ITEM #26). Re-check the door alignment and repeat the procedure for the middle and bottom screws. Install the Handle on the door by applying the Handle Vinyl over the edge of the door glass at the vertical mid point or a more comfortable height. Tap the Handle over the vinyl with a rubber mallet or similar. Cut away the excess vinyl from around the handle.

****IF THE HANDLE SUPPLIED WITH THIS UNIT USES A SPRING LOADED BULLET CATCH, DISREGARD STEP 7 AND CONTINUE TO STEP 8.****

STEP 7 - VS180 / VS280

Apply the Adhesive magnet to the door by measuring from the top of the handle to the top of the door glass. Making square cuts, cut the magnet to length. See (FIG.#4) Clean the vertical edge of the glass above and below the handle where the magnet will be applied, with alcohol or similar. This edge must be very clean for proper adhesion. NOTE: The magnet has a polarity index groove toward one edge. Peel the backing off the magnet and apply it along the edge of the glass as shown in (FIG. #4). Measure from the bottom of the handle to the top of the bottom rail of the door and cut the remainder of the magnet to size. NOTE: Be sure to orient the polarity index groove so that is to the same edge as the magnet above. Apply the magnet in line with the magnet above, along the edge of the glass. The magnet adhesive will attain maximum strength in about 72 hours. The door may be used during this curing time.

STEP 8 - VS180 / VS280

Adjust the Latch Jamb to the door assembly.

Magnetic Latch: Center the magnets on each other. If the magnets repel each other, slide the magnet in the Latch Jamb out and turn it end for end and slide it back in. Work the door a few times to make sure the magnets are centered.

Bullet Catch: Adjust the Latch Jamb to 1/8" from the door glass edge. See (FIG. #2).

From the inside of the shower, drill the top hole on the Latch Jamb into the vertical post with a #32 wire gauge drill bit. Secure with a #6 X 3/8 PHPHSMS, (ITEM #26). Re-check the door alignment and repeat the procedure for the middle and bottom screws.

STEP 9

With the door in the closed position, measure between the Hinge Jamb and Latch Jamb at the top of the Stall Curb. See (FIG. #2) for detail. Cut one Curb Filler, (ITEM #3) to this length. Snap the filler into place in the curb with the vertical water dam of the part to the outside. Seal each end with sealant. Repeat this procedure for the top Header Filler. The Header Filler does not require sealant.

STEP 10 - VS180 / VS280

To install the Drip Deflector, (ITEM #10), measure the length of the Bottom Rail only on the door, and add 1". Measure off the end of the deflector that has the notch that must be kept and cut to length. File a radius on the cut end similar to the factory radius on the other end. See (FIG. #6). Install the Bottom Sweep, (ITEM #20), into the bottom of the Drip Deflector. Trim the ends flush. Peel the paper off the tape on the Drip Deflector. Stand inside the shower with the door closed, and attach the Drip Deflector to the bottom of the door so that the bottom sweep is within a 1/16" of touching the Dam Strip. If not using the Dam Strip, the bottom sweep should just touch the threshold. Apply sealant the Drip Deflector notch as shown in (FIG. #6).

STEP 11 - VS180 / VS280

Run a bead of sealant the full length on the inside of the shower where the shower door meets the walls and threshold.