

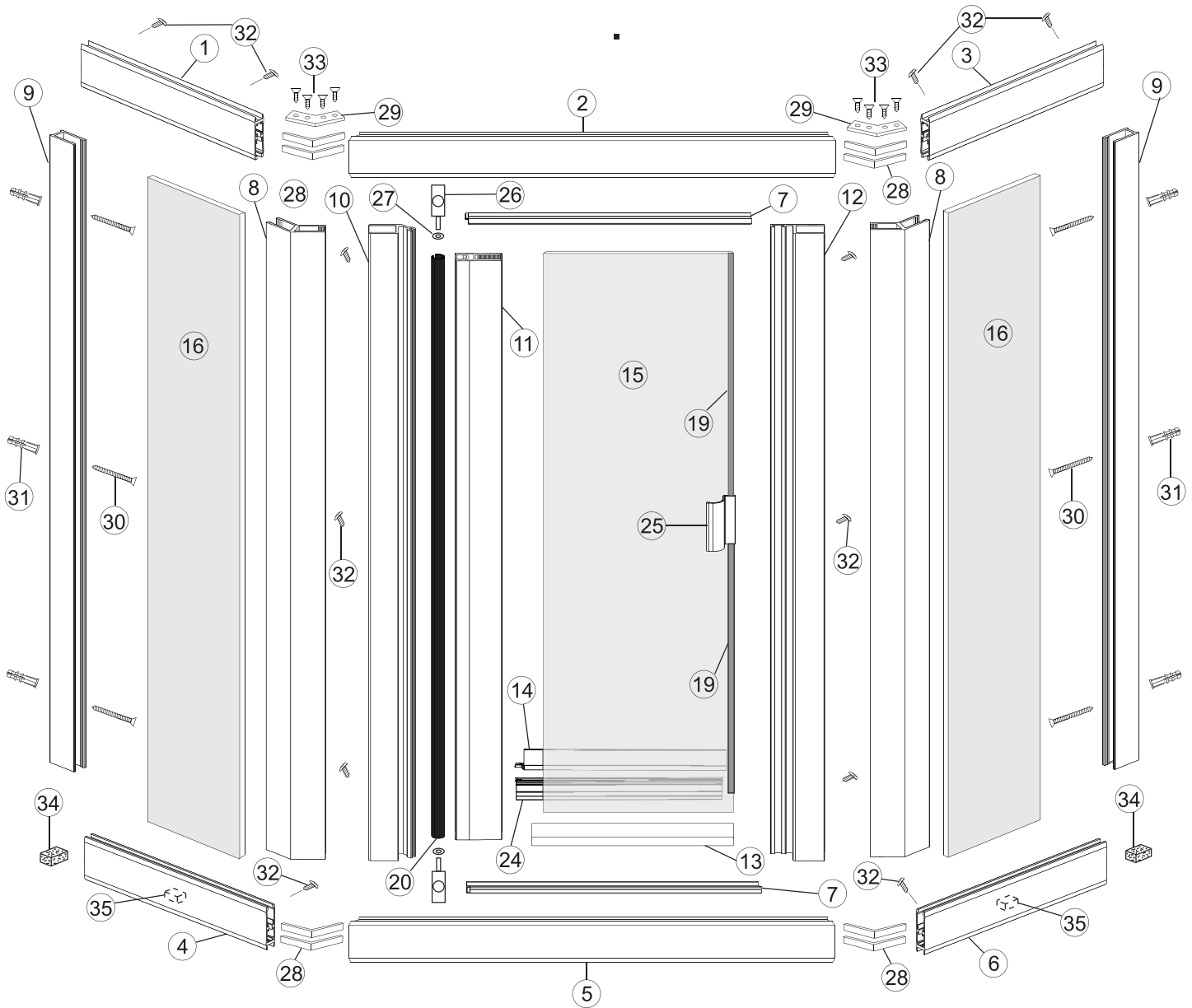
Installation Instructions for the
Vision Collection NEO Swing Door.

Model: VSNeo

Drawing Number: 6175 Rev. Date: 12-10-08



Figure #1 - VSNEO Shower Door Assembly



**Installation Instructions for the
Vision Collection NEO Swing Door.**

Model: VSNeo

Drawing Number: 6175 Rev. Date: 12-10-08



Figure #2 - VSNEO - Top View

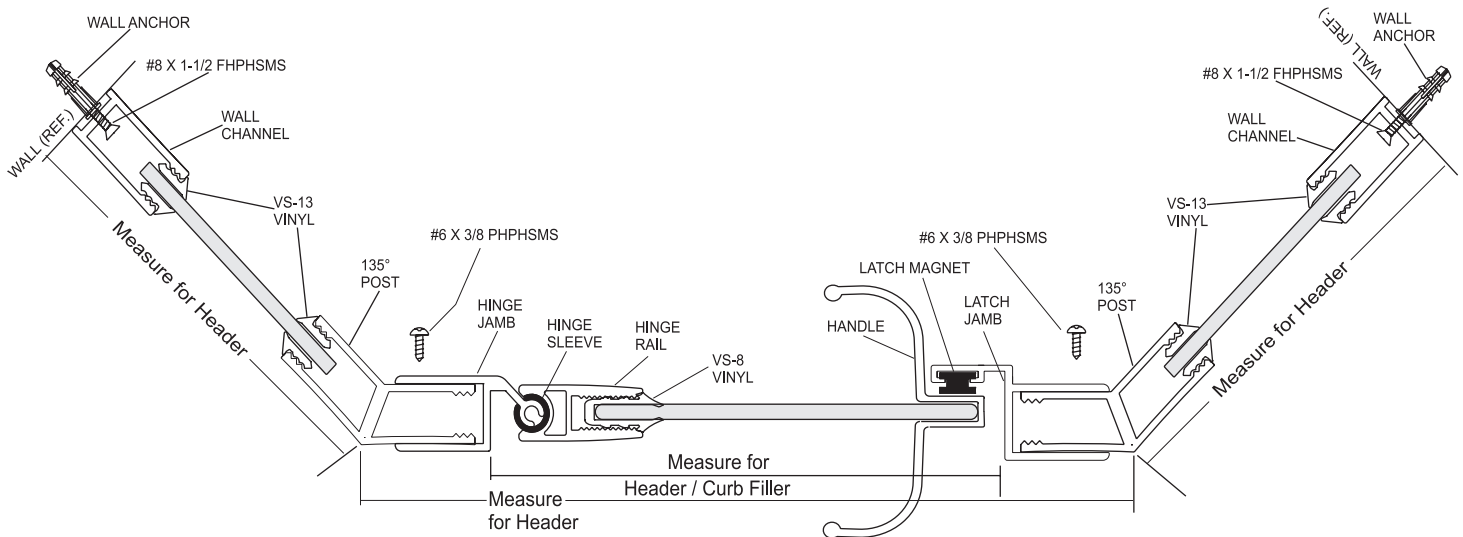


Figure #3 - VSNEO - Side View

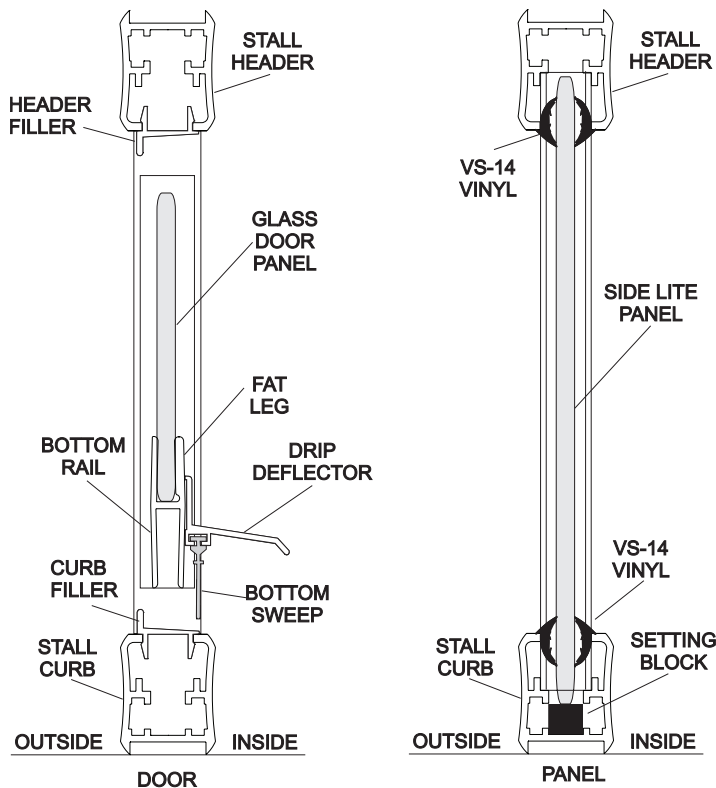
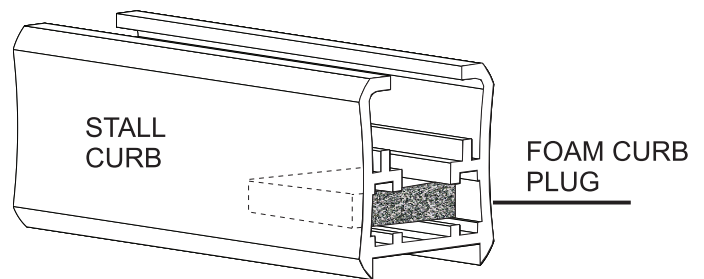


Figure #4 - Foam Curb Plug



**FILL RECESS BOTH
ENDS WITH SEALANT**

**Installation Instructions for the
Vision Collection NEO Swing Door.**

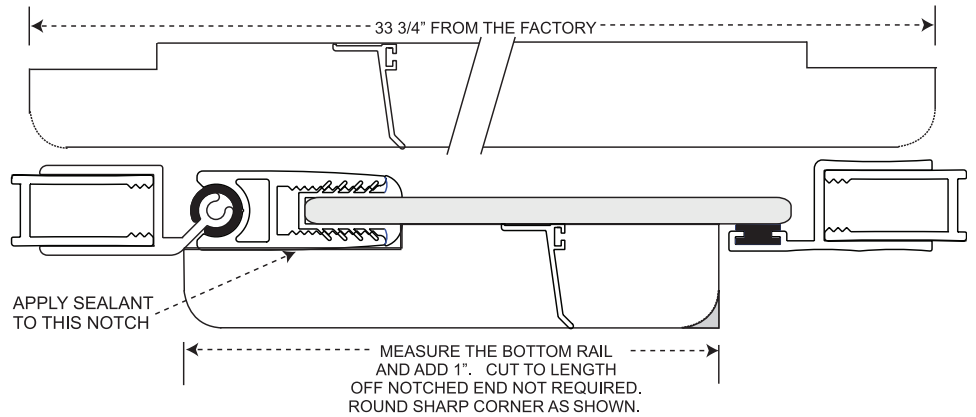
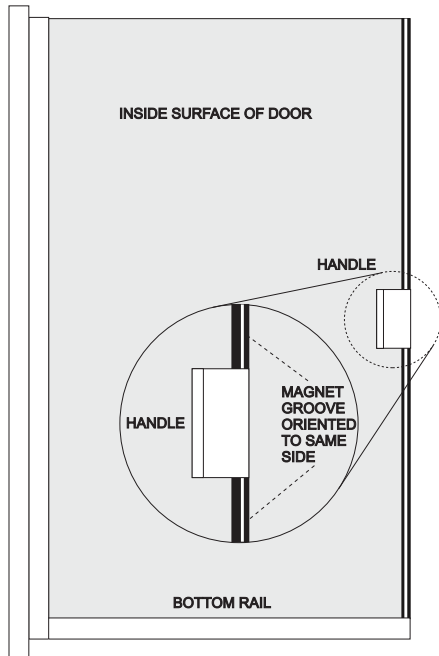
Model: VSNeo

Drawing Number: 6175 Rev. Date: 12-10-08



Figure #5 - Magnet Strip

Figure #6 - VSNEO - Drip Deflector Preparation



VSNEO Parts List

ITEM	PART #	DESCRIPTION	QTY	ITEM	PART #	DESCRIPTION	QTY	ITEM	PART #	DESCRIPTION	QTY
1	1071	STALL HEADER LEFT SECTION	1	14	1097	DRIP DEFLECTOR	1	27	2002	FLAT WASHER	2
2	1071	STALL HEADER CENTER SECTION	1	15	7102	GLASS DOOR PANEL	1	28	2017	135° HEADER / CURB CLIPS	8
3	1071	STALL HEADER RIGHT SECTION	1	16	7106	GLASS SIDE LITE PANEL	2	29	2018	135° HEADER PLATE	2
4	1071	STALL CURB LEFT SECTION	1	17	4009	VS-8 BOOT VINYL	1	30	2101	#8 X 1-1/2 FHPSMS	6
5	1071	STALL CURB CENTER SECTION	1	18	4100	LATCH JAMB MAGNET	1	31	2217	3/16 WALL ANCHOR	6
6	1071	STALL CURB RIGHT SECTION	1	19	4102	ADHESIVE MAGNET	1	32	2102	#6 X 3/8 PHPSMS	12
7	1072	HEADER / CURB FILLER	2	20	4034	HINGE SLEEVE	1	33	2102	#6 X 3/8 FHPSMS	8
8	1075	135° POST	2	21	4023	VS-11 HANDLE VINYL	1	34	2204	FOAM CURB PLUGS	2
9	1068	JAMB FILLER / WALL CHANNEL	2	22	4013	VS-13 VERTICAL VINYL	8	35	2203	SETTING BLOCKS	2
10	1165	HINGE JAMB	1	23	4014	VS-14 HORIZONTAL VINYL	8	36		#6 X 1/2 PPH TYPE F	2
11	1166	HINGE RAIL	1	24	4018	VW-2 BOTTOM SWEEP	1				
12	1005	LATCH JAMB	1	25	3018	HANDLE	1				
13	1169	BOTTOM RAIL	1	26	2001	HINGE PIN	2				

Installation Instructions for the Vision Collection NEO Swing Door.

Model: VSNeo

Drawing Number: 6175 Rev. Date: 12-10-08



6175 - VSNeo Assembly Instructions

SAFETY WARNING:

These installation instructions must be followed to ensure proper operation of the door and to reduce the risk of serious injury. Any deviation from these instructions can result in a serious safety hazard.



All exposed ends of aluminum that are rough, sharp or jagged due to the metal being cut, drilled or damaged should be de-burred, smoothed or rounded by the installer before installation. Failure to do so could result in serious injury to the user of the enclosure.

Any part of the swinging glass panels hitting any unprotected bathroom obstruction or metal or glass component of the shower door itself, may indicate improper installation and could lead to serious injury. Installers must correct the deficiencies before allowing the door to be used.



STEP 1

The curb sections may have already been cut to size at the factory. If not, mark the centerline of the unit onto the shower base. Add 3/16" to each side lite measurement and add 3/8" to the door measurement then transfer to the appropriate Curb Sections, (ITEM #4,5,6). NOTE: All dimensions on the curb and header are measured from the tip, (longest point), of the 45° miter. Cut each curb section to length by straight cutting the end opposite the miter. On the door section you must duplicate the factory miter at the other end. Insert one Foam Curb Plug, (ITEM #34), into the straight cut end of each side lite panel Curb Section. Recess approximately 1/8". Fill recess with sealant. See (FIG. #4). Assemble curb sections with 4 - Curb Clips, (ITEM #28). Position curb sections onto base. Seal the mitered corners with sealant, readjust alignment if necessary. Insert a Setting Block, (ITEM #35), into the curbs where the Side lite panels will sit. The Side lite panels must not rest on the metal curb.

STEP 2

Insert a Wall Channel, (ITEM #9), into the Stall Curb at each wall, one at a time, plumb with a level and mark the factory holes onto the walls. Drill the holes with a 3/16" drill bit (use carbide tip bit if going into tile or other masonry types of materials) insert Wall Anchors, (ITEM #31), and secure both Wall Channels to the walls with #8 X 1-1/2 FHPHMS, (ITEM #30).

STEP 3

Insert the proper Return Side Lite Panel, (ITEM #16), into a Stall Curb and Wall Channel, resting on a Setting Block. NOTE: If patterned or frosted glass is used, ensure that the rough side faces outward. Insert the 135° Post, (ITEM #8), into the Stall Curb and over the edge of the Side Lite Panel. Temporarily hold the post and glass in place by glazing the top 1" - 2" of the panel into the channels with VS-13 Vinyl, (ITEM #22). Do not cut the vinyl at this time. Repeat this procedure with the second Side Lite Panel.

STEP 4

Use a level to plumb a 135° Post in both directions. Measure from the outside corner of the post to the wall. See (FIG. #2). Add 3/16" to the dimension. Apply dimension to the appropriate Header Section. NOTE: All dimensions on the curb and header are measured from the tip, (longest point), of the 45° miter. Repeat this procedure with the second Side Lite Panel Header. Plumb both of the 135° Posts, then measure between the outside corner of each post. Add 3/8" to the dimension. See (FIG. #2). Apply this dimension the Door Header Section and cut to length duplicating the factory miter. Assemble the Header Sections with 4 - 135° Header Clips, (ITEM #28), and 2 - 135° Header Plates, (ITEM #29). Keeping the miters tightly together, mark the factory holes in the plate, onto the top of the header. Drill with a #32 wire gauge drill bit. Secure headers with 8 - #6 X 3/8 FHPHMS, (ITEM #33).

STEP 5

Set headers in place over the top of the vertical posts. From the inside of the shower, attach the headers by drilling through the headers into the verticals with a #32 wire gauge drill bit. The glass panel should be tilted out of the way while drilling holes. Secure header with 4 - #6 X 3/8 PHPHMS, (ITEM #32). Only the bottom of the 135° Posts needs to be secured using this same method.

STEP 6

Center a Side Lite Panel between its posts and glaze the verticals with 4 - VS-13 Glazing Vinyl, (ITEM #22). Glaze the top and bottom of the panel with 4 - VS-14 Glazing Vinyl, (ITEM #23). See (FIG.#3). Repeat this procedure for the second Side Lite Panel.

STEP 7

Set the Latch Jamb, (ITEM #12), in place over the appropriate vertical post, but do not secure at this time. Orient the door so that it will open outwards and slide it over the opposite post. Adjust the Hinge and latch jamb somewhat equally off their respective vertical posts, (Primary Adjustment). Adjust Hinge Jamb so that the top of the door is parallel with the bottom of the header. From the inside of the

Installation Instructions for the Vision Collection NEO Swing Door.

Model: VSNeo

Drawing Number: 6175 Rev. Date: 12-10-08



Step 7 (Continued)

shower, drill the top hole on the Hinge Jamb into the vertical post with a #32 wire gauge drill bit. Secure with a #6 X 3/8 PHPSMS, (ITEM #32). Re-check the door alignment and repeat the procedure for the middle and bottom screws. Install the Handle on the door by applying the Handle Vinyl, (ITEM #21), over the edge of the door glass at the vertical mid point or a more comfortable height. Tap the Handle, (ITEM #25), over the vinyl with a rubber mallet or similar. Cut away the excess vinyl from around the handle.

**** If The Handle Supplied With This Unit Uses A Spring Loaded Bullet Catch, Disregard Step 8 And Continue To Step 9. ****

STEP 8

Apply the Adhesive magnet to the door by measuring from the top of the handle to the top of the door glass. Making square cuts, cut the magnet to length. See (FIG.#5). Clean the vertical edge of the glass above and below the handle where the magnet will be applied, with alcohol or similar. This edge must be very clean for proper adhesion. NOTE: The magnet has a polarity index groove toward one edge. Peel the backing off the magnet and apply it along the edge of the glass as shown in (FIG. #5). Measure from the bottom of the handle to the top of the bottom rail of the door and cut the remainder of the magnet to size. NOTE: Be sure to orient the polarity index groove so that is to the same edge as the magnet above. Apply the magnet in line with the magnet above, along the edge of the glass. The magnet adhesive will attain maximum strength in about 72 hours. The door may be used during this curing time.

STEP 9

Adjust the Latch Jamb to the door assembly.

Magnetic Latch: Center the magnets on each other. If the magnets repel each other, slide the magnet in the Latch Jamb out and turn it end for end and slide it back in. Work the door a few times to make sure the magnets are centered.

Bullet Catch: Adjust the Latch Jamb to 1/8" from the door glass edge. See (FIG. #2).

From the inside of the shower, drill the top hole on the Latch Jamb into the vertical post with a #32 wire gauge drill bit. Secure with a #6 X 3/8 PHPSMS, (ITEM #32). Re-check the door alignment and repeat the procedure for the middle and bottom screws.

STEP 10

With the door in the closed position, measure between the Hinge Jamb and Latch Jamb at the top of the Stall Curb. See (FIG. #2) for detail. Cut one Curb Filler, (ITEM #7) to this length. Snap the filler into place in the curb with the vertical water dam of the part to the outside. Seal each end with sealant. Repeat this procedure for the top Header Filler. The Header Filler does not require sealant.

STEP 11

To install the Drip Deflector, (ITEM #14), measure the length of the Bottom Rail only on the door, and add 1". Measure off the end of the deflector that has the notch that must be kept and cut to length. File a radius on the cut end similar to the factory radius on the other end. See (FIG. #6). Install the Bottom Sweep, (ITEM #24), into the bottom of the Drip Deflector. Trim the ends flush. Peel the paper off the tape on the Drip Deflector. Stand inside the shower with the door closed, and attach the Drip Deflector to the bottom of the door so that the bottom sweep is within a 1/16" of touching the Dam Strip. If not using the Dam Strip, the bottom sweep should just touch the threshold. Apply sealant the Drip Deflector notch as shown in (FIG. #6).

STEP 12

Run a bead of sealant the full length on the inside of the shower where the shower door meets the walls and threshold.