

PLEASE READ THOROUGHLY BEFORE STARTING INSTALLATION

Frameless Tub and Shower Enclosures
Two Panel By-Pass



**SAFETY
WARNING:**



Item	Part#	Description	QTY
1	1049/1050	Tub Header	1
2	1062	Stay Clean Sill	1
3	1051	Tub Jamb	2
4	A053	Towel Bar	2
5	2236	Towel Bar Bracket W/Pull	1
6	2238	Towel Bar Bracket W/O Pull	1
7	2240	Inside Pull	1
8	4023	VS-11 Handle Vinyl	3
9	4032	TF-2B T-Fin	1
10	7102	Sliding Glass Panel	2
11	2206	AVG-3 Center Guide	1
12	2209	Bumper Guides	4
13	2215	Adjustment Wrench	1
14	2258	Hanger Bracket Assy	4
15	2103	#6 x 3/8 FPHSMS	4
16	2101	#8 x 1-1/2 FPHSMS	6
17	2217	Wall Anchor	6
18	2102	#6 x 3/8 PHPHMS	3

Agalite enclosures are made with tempered glass which can reduce the risk of injury. However, these instructions must be followed carefully to reduce the risk of serious injury. Any deviation from these instructions can create a serious safety hazard.

All exposed aluminum edges should be deburred to avoid serious injury.

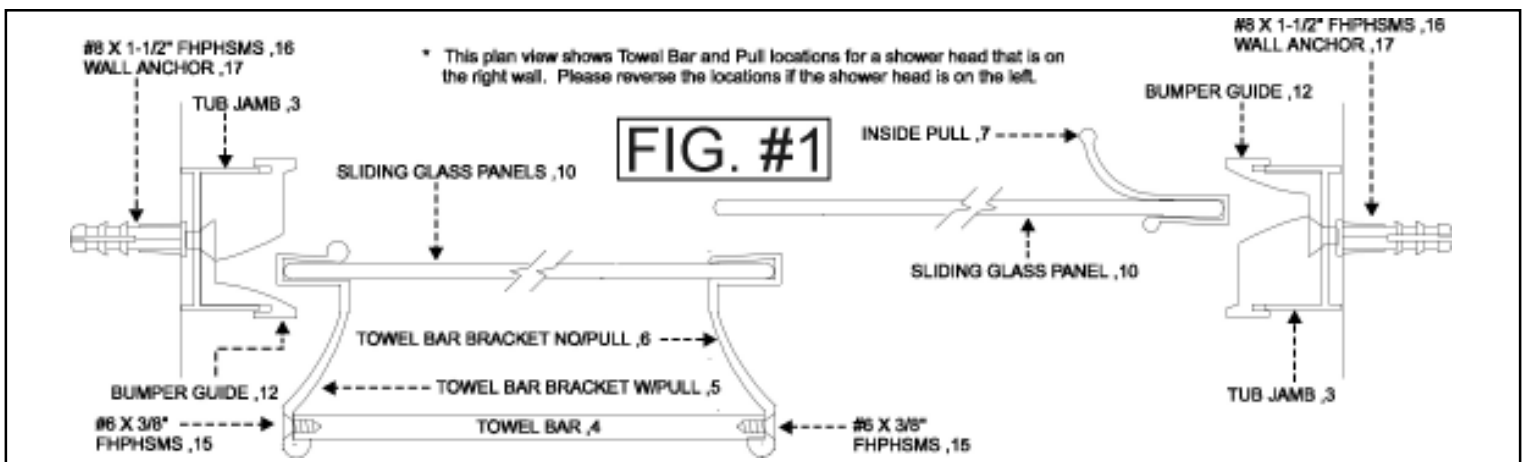
SPECIAL NOTE:

Drilling holes and anchoring horizontal sills and curbs to thresholds and tub decks is discouraged. Using masking tape or double-sided tapes to hold these components down during installation is recommended to minimize the potential for water leaking underneath flooring. These instructions do not recommend drilling holes on horizontal surfaces for this reason.

STEP 1

CENTERLINE:

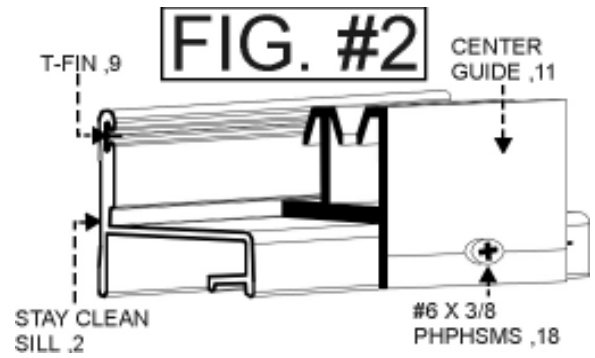
Locate as accurately as possible the centerline of the shower of tub rim and mark it with a water soluble marker. In most installations, the Stay Clean Sill (Item #2) is installed directly over and parallel to the centerline. Measure the wall to wall distance, 1/2" above the tub rim to allow for any radius or obstructions in the corners. From this measurement, deduct 3/8" and cut the Stay Clean Sill to length.



STEP 2

STAY CLEAN SILL:

Mark the exact middle of the Stay Clean Sill for the Center Guide (Item #11). Use the Center Guide's hole for a template and mark location onto the sill. Drill installation hole with a #32 wire gauge drill bit. See Fig. #2. Do not attach Center Guide at this time. Install the T-Fin (Item #9) into the Stay Clean Sill with the fin pointing downward. Flush cut at both ends.

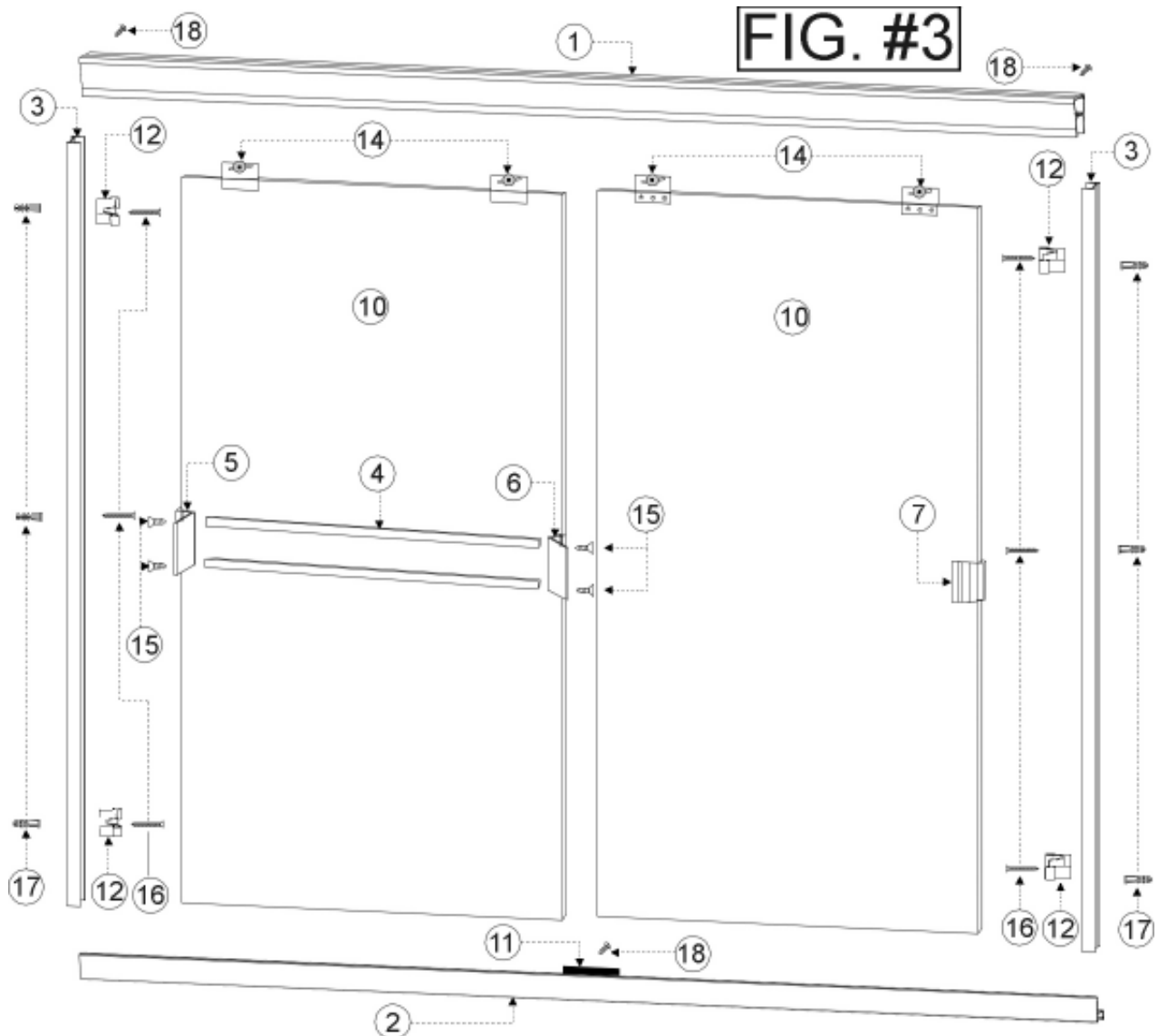


STEP 3

TUB JAMBS:

The Tub Jambs (Item #3) should be installed starting at the shower head wall. Set the Tub Jamb on the shower base and against the wall. Plumb the Jamb and, using the factory holes as a template, mark the holes onto the wall. Drill the holes with a 3/16" drill bit (use a carbide tipped bit if going into tile or other types of masonry materials). Insert three Wall Anchors (Item #17) and secure Tub Jamb with three #8 X 1-1/2 FHPHSMS (Item #16), attaching a Bumper Guide (Item #12) with the top and bottom screws. See Fig.

#3. Be sure to orient the Bumper Guides to accept the proper sliding panel. Set the Stay Clean Sill into place into the secured Tub Jamb at the base. Position and plumb the second Tub Jamb onto the opposite wall, but mark only the bottom hole. Drill the hole with a 3/16" drill bit. Insert one Wall Anchor and secure Tub Jamb with one #8 X 1-1/2 FHPHSMS (Item #16) and Bumper Guide (Item #12). This will allow the Tub Jamb and Header assembly to move for final adjustment later.



STEP 4

TUB HEADER:

Measure wall to wall at the top of the Tub Jamb and deduct 1/16" and cut Tub Header (Item #1) to length. Set in place over the Tub Jamb but do not secure at this time.

STEP 5

HANGER BRACKETS:

Attach the Hanger Bracket Assemblies (Item # 14); see Fig. #4. Position at the top of each panel approximately 2 1/2 " in from each edge. See Fig. #3 & 5. **NOTE: If obscure, frosted or any patterned glass is used, insure that the inside panel has the Hanger Bracket's nylon rollers faced towards the panel's smooth side and the outside panel's roller faced toward the rough side.** With a screwdriver, firmly tighten the brackets onto the glass. It is also recommended the tempering registration logo be oriented to the bottom of the sliding panels.

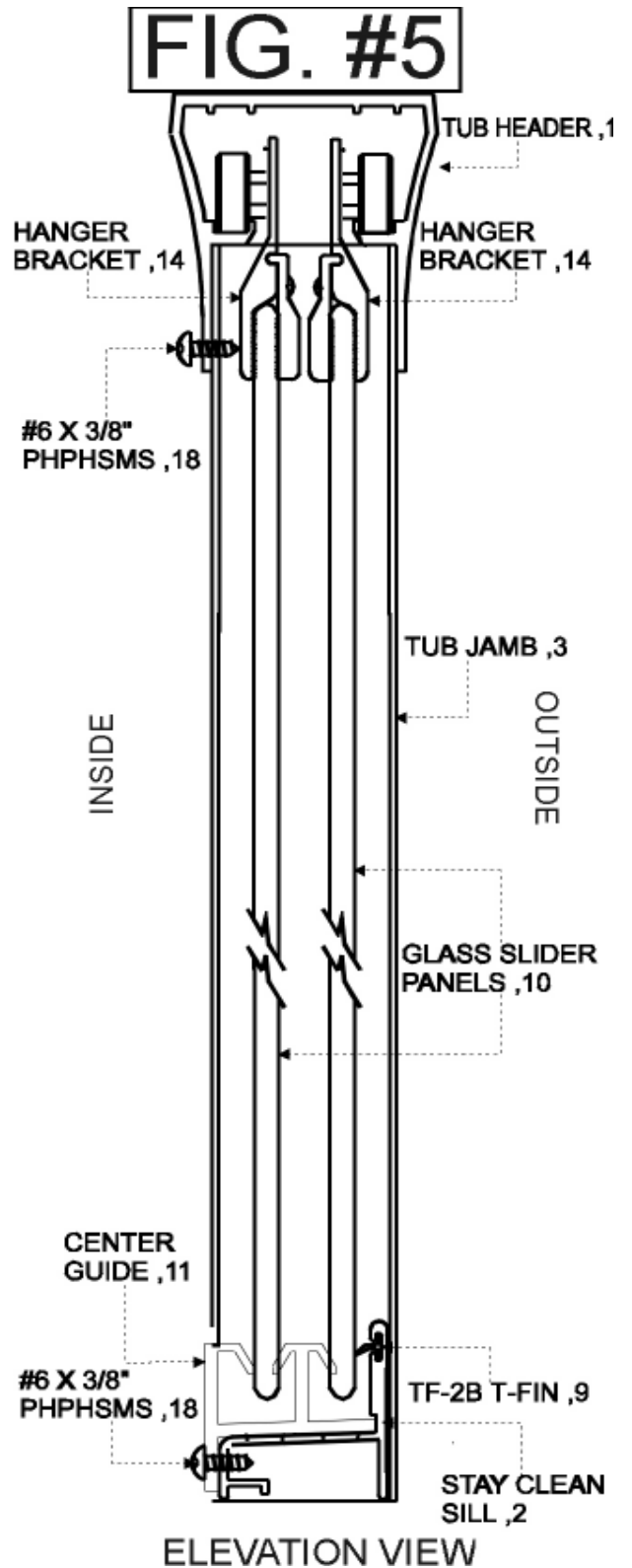
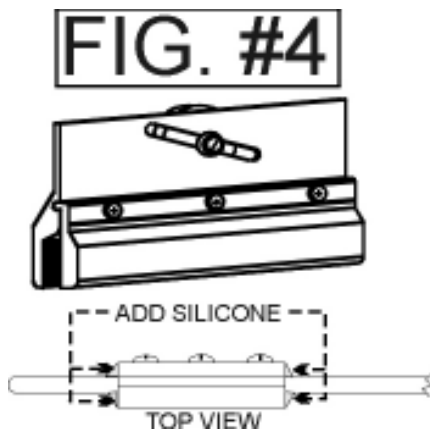
STEP 6

Make sure that the Tub Jamb with only one screw in it is snug, but still is able to move side to side. Hang the panels in place in the Header starting with what will be inside panel. Slide it all the way toward the fully secured Tub Jamb. Install the outside panel, making sure that the rollers on both panels are fully seated into the tracks in the header. Finish by installing the Center Guide (Item #11) and securing it with one #6 X 3/8" PHPHSMS (Item # 18).

STEP 7

PANEL ALIGNMENT:

Standing outside the shower, hold the Header at the top where it meets the unsecured Tub Jamb. **Be very careful to keep control of the header so that the sliding glass panels can not fall.** Slowly move the sliding panels, one at a time, back and forth and into the Tub Jamb, while adjusting the header side to side, seeking a point where the panels pocket perfectly into both Tub Jamb. At this point, both Tub Jamb are at identical positions on the wall. Mark the position of the Tub Jamb onto the wall. Slide both



panels back to the secured Tub Jamb and remove the Center Guide. Remove both sliding panels and set them in a safe place. Move the Tub Jamb back to the marked location on the wall and mark the final two hole locations. Move the Tub Jamb out of the way just far enough to reveal the marked holes, then drill the holes with a 3/16" drill bit. Insert two Wall Anchors (Item #17). Realign the Tub Jamb and secure with two #8 X 1-1/2" FPHSMS (Item #16). Reinstall both of the sliding glass panels as you did earlier in this step, then reinstall the Center Guide.

STEP 8

TOWEL BARS AND PULLS:

The inside sliding panel, when closed, must be at the shower head wall so that it can deflect water away from the overlap of the panels at the center of the enclosure. Thus, the outside panel must be away from the shower head wall when closed. On the outside panel, on the edge that is at the wall when closed, attach the Towel Bar Bracket with the pull (Item # 5) by placing a piece of the Handle Vinyl (Item #8) over the vertical edge of the glass panel at a comfortable height, then gently tapping the bracket over the vinyl. Repeat this procedure with the Towel Bar Bracket with no pull (Item # 6) at the same height as the first pull on the opposite edge of the sliding panel. Measure between the two brackets and cut the Towel Bars (Item # 4), to this length. Secure both Towel Bars with four #6 X 3/8" FPHSMS (Item # 15). Using the now attached Towel Bar Brackets as a height gage, install the Inside Pull Assembly (Item # 7). Tap the Handle Vinyl in place with the long leg of the pull oriented to the inside of the shower. (See Fig. #1 & 3). Finish by cutting away the excess Handle Vinyl from around each pull.

STEP 9

PANEL ADJUSTMENT:

If either of the sliding panels is skewed or rubs against the sill, adjust the panels by loosening the hex nut on any of the Hanger Brackets with the Adjustment Wrench (Item # 13), provided in the parts kit. Be sure to retighten the screws. **NOTE: The panels can be adjusted while still hanging in the header.** Secure the Header to the Tub Jamb by drilling through the header, from the inside of the shower, into the Tub Jamb with a #32 wire gauge drill bit. Secure with two #6 X 3/8" PHPSMS (Item #18).

STEP 10

SEALANT:

Apply a bead of sealant along the entire inside of the enclosure where it meets the wall and base. Pay special attention at the bottom corners where the Tub Jambs meet the Stay Clean Sill. These joints must be totally sealed for a leak proof installation.

Fig #6
Vision-Series VTE/VSE Glass Chart

Overall Height (OAH) for Vision-Series Sliders:

Tub enclosure	VTE Standard Height = 57-1/2" VTE Special Height = 55-1/2"
Shower enclosure	VSE Standard Height = 70-1/2" VSE Special Height = 65-1/2"

Calculating Component sizes

#1050 Tub Jamb	= OAH minus 1-3/16"
#1062 Stay Clean Sill	= Overall width minus 3/8"
#A053 Towel Bar	= Glass panel width plus 3/16"
Glass Panel Width	= overall width divided by 2
Glass Panel height	= Overall height minus 2-1/2"

Model	Fits Opening	Glass Size (Standard)	Header Pack	Jamb Pack
VTE-48	Up to 48"	24" x 55"	48"	56-5/16"
VTE-54	48" to 54"	27" x 55"	60"	56-5/16"
VTE-56	54" to 56"	28" x 55"	60"	56-5/16"
VTE-58	56" to 58"	29" x 55"	60"	56-5/16"
VTE-60	58" to 60"	30" x 55"	60"	56-5/16"
VTE-66	60" to 66"	33" x 55"	66"	56-5/16"
VSE-40	Up to 40"	20" x 68"	48"	69-5/16"
VSE-42	40" to 42"	21" x 68"	48"	69-5/16"
VSE-44	42" to 44"	22" x 68"	48"	69-5/16"
VSE-46	44" to 46"	23" x 68"	48"	69-5/16"
VSE-48	46" to 48"	24" x 68"	48"	69-5/16"
VSE-54	48" to 54"	27" x 68"	60"	69-5/16"
VSE-56	54" to 56"	28" x 68"	60"	69-5/16"
VSE-58	56" to 58"	29" x 68"	60"	69-5/16"
VSE-60	58" to 60"	30" x 68"	60"	69-5/16"

* Standard glass thickness is 3/16"

** For Standard Special Height units, deduct 2" from the above VTE glass heights and 5" from the above VSE glass heights. Use these same deductions from the above for the Jamb Pack lengths for Standard Special Height units.