

PLEASE READ THOROUGHLY BEFORE STARTING INSTALLATION

ITEM	PART	DESCRIPTION	QTY
1	1049/1050	Tub Header	1
2	1062	Stay Clean Sill	1
3	1051	Tub Jamb	2
4	1200	Towel Bar	1
5	3023	Towel Bar Bag	1
6	4032	TF-2B T-Fin	1
7	7302	Sliding Glass Panel	2
8	2207	AVG-4 Center Guide	1
9	2223	Bumper Guides	4
10	2260	Hanger Bracket Assy	4
11	1089	Horizontal Rail	4
12	1088	Vertical Rail	4
13	4030	VS-18 Boot Vinyl	2
14	2104	#8 x 3/4 FHPHSMS	8
15	2101	#8 x 1-1/2 FHPHSMS	6
16	2217	Wall Anchor	6
17	2102	#6 x 3/8 PHPHSMS	3
18	2215	Adjustment Wrench	1

SPECIAL NOTE:

Drilling holes and anchoring horizontal sills and curbs to thresholds and tub decks is discouraged. Using masking tape or double-sided tapes to hold these components down during installation is recommended to minimize the potential for water leaking underneath flooring. These instructions do not recommend drilling holes on horizontal surfaces for this reason.

STEP 1

CENTERLINE:

Locate, as accurately as possible, the centerline of the shower or tub rim and mark it with a water soluble marker. In most installations, the Stay Clean Sill (Item #2) is installed directly over and parallel to the centerline. Measure the wall to wall distance, 1/2" above the tub rim to allow for any radius or obstructions in the corners. From this measurement, deduct 3/8" and cut the Stay Clean Sill to length.

STEP 2

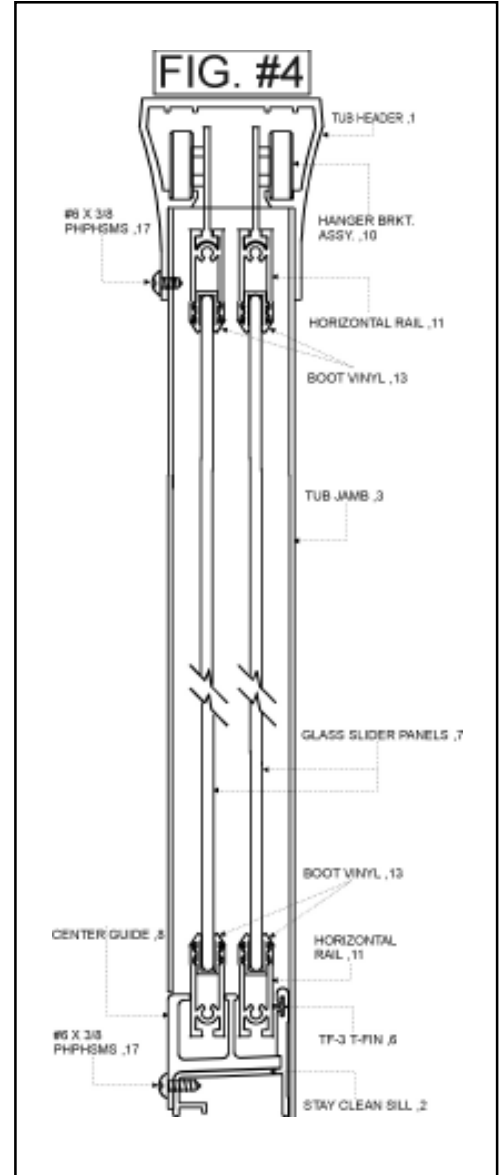
STAY CLEAN SILL:

Mark the exact middle of the Stay Clean Sill for the Center Guide (Item #8). Use the Center Guide's hole as a template and mark location onto the sill. Drill installation hole with a #32 wire gauge drill bit. See Fig. #2. Do not attach Center Guide at this time. Install the T-Fin (Item #6) into the Stay Clean Sill with the fin pointing downward. Flush cut at both ends.

STEP 3

TUB JAMBS:

The Tub Jamb (Item #3) should be installed starting at the shower head wall. Set the Tub



SAFETY WARNING:

Agalite enclosures are made with tempered glass which can reduce the risk of injury. However, these instructions must be followed carefully to reduce the risk of serious injury. Any deviation from these instructions can create a serious safety hazard.

All exposed aluminum edges should be deburred to avoid serious injury.

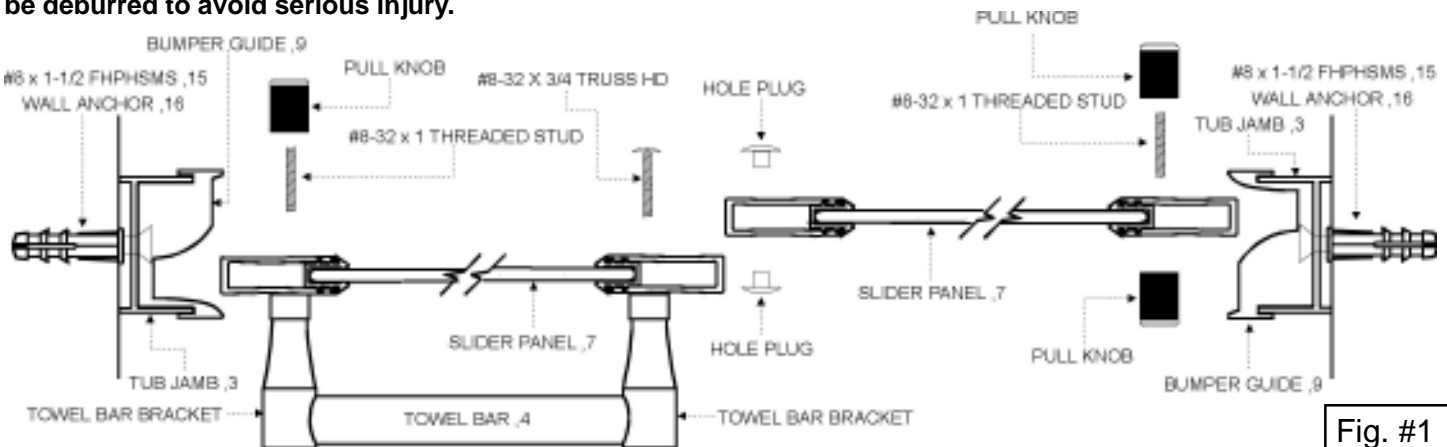
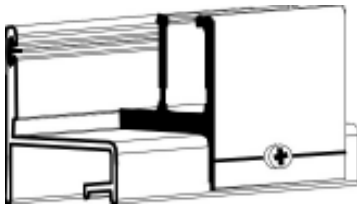


Fig. #1

Fig. #2



Jamb on the shower base and against the wall. Plumb the Jamb and, using the factory holes as a template, mark the holes onto the wall. Drill the holes with a 3/16" drill bit. Use a carbide tipped bit if going into tile or other types of masonry materials. Insert three Wall Anchors (Item #16) then secure Tub Jamb with three #8 X 1-1/2" FPHSMS (Item #15), attaching a Bumper Guide (Item #9) with the top and bottom screws. See Fig. #3. Orient the Bumper Guides to accept the proper sliding panel. Set the Stay Clean Sill into place into the secured Tub Jamb at the base. Position and plumb the second Tub Jamb onto the opposite wall, but mark only the bottom hole. Drill the hole with a 3/16" drill bit. Insert one Wall Anchor and secure Tub Jamb with one #8 X 1-1/2" FPHSMS (Item #15) and Bumper Guide (Item #9). This will allow the Tub Jamb and Header assembly to move for final adjustment later.

STEP 4

TUB HEADER:

Measure wall to wall at the top of the Tub Jambs and deduct 1/16" and cut Tub Header (Item #1) to length. Set in place over the Tub Jambs but do not secure at this time.

STEP 5

Make sure that the Tub Jamb with only one screw in it is snug, but still is still able to move side to side. Hang the panels in place in the Header starting with what will be the inside panel. Slide it all the way toward the fully secured Tub Jamb. Install the outside panel, making sure that both rollers on both panels are fully seated into the tracks in the Header. Install the Center Guide (Item #8), and secure it with one #6 X 3/8" PHPHMS (Item #17).

STEP 6

PANEL ALIGNMENT:

Standing outside of shower, hold the Header at the top where it meets the unsecured Tub Jamb. **BE VERY CAREFUL TO KEEP CONTROL OF THE HEADER SO THAT THE SLIDING GLASS PANELS CAN NOT FALL.** Slowly, move the sliding panels, one at a time, back and forth and into the Tub Jambs, while adjusting the Header side to side, seeking a point where the panels pocket perfectly into both Tub Jambs. Mark the position of the Tub Jamb onto the wall. Slide both panels back to the secured Tub

Jamb and remove the Center Guide. Remove both sliding panels and set them in a safe place. Move the Tub Jamb back to the marked location on the wall and mark the final two hole locations. Move the Tub Jamb out of the way just far enough to reveal the marked holes, then drill the holes with a 3/16" drill bit. Insert two Wall Anchors (Item #16). Realign the Tub Jamb and secure with two #8 X 1-1/2" FPHSMS (Item #15). Reinstall both of the sliding glass panels as you did earlier in this step, then reinstall the Center Guide.

STEP 7

TOWEL BARS AND PULLS:

The inside sliding panel, when closed, must be at the shower head wall so that it can deflect water away from the overlap of the panels at the center of the enclosure. The outside panel must be away from the shower head wall when closed. On the outside sliding glass panel, measure between the towel bar holes in the frame center to center. Cut the Towel Bar (Item #4) to this dimension. For the Pull Assemblies, slide the glass panels to their proper closed position. You will notice that the two center holes are inaccessible because of the overlap in the panels. Make them accessible by sliding each panel to the opposite wall. Now the holes are at the outside edges. Please refer to Fig. #1 for proper orientation and installation.

STEP 8

PANEL ADJUSTMENT:

If either of the sliding panels is skewed or rubs against the Sill, adjust the panels by loosening the hex nut on any of the Hanger Brackets with the Adjustment Wrench (Item #18). Be sure to retighten the screws. The panels can be adjusted while still hanging in the Header. Finish by securing the Header to the Tub Jambs by drilling through the header, from inside the shower, into the Tub Jambs with a #32 wire gauge drill bit. Secure with two #6 X 3/8" PHPHMS (Item #17).

STEP 9

SEALANT:

Apply a bead of sealant along the entire inside of the enclosure where it meets the wall and base. Pay special attention at the bottom corners where the Tub Jambs meet the Stay Clean Sill. These joints must be totally sealed for a leak proof installation.

