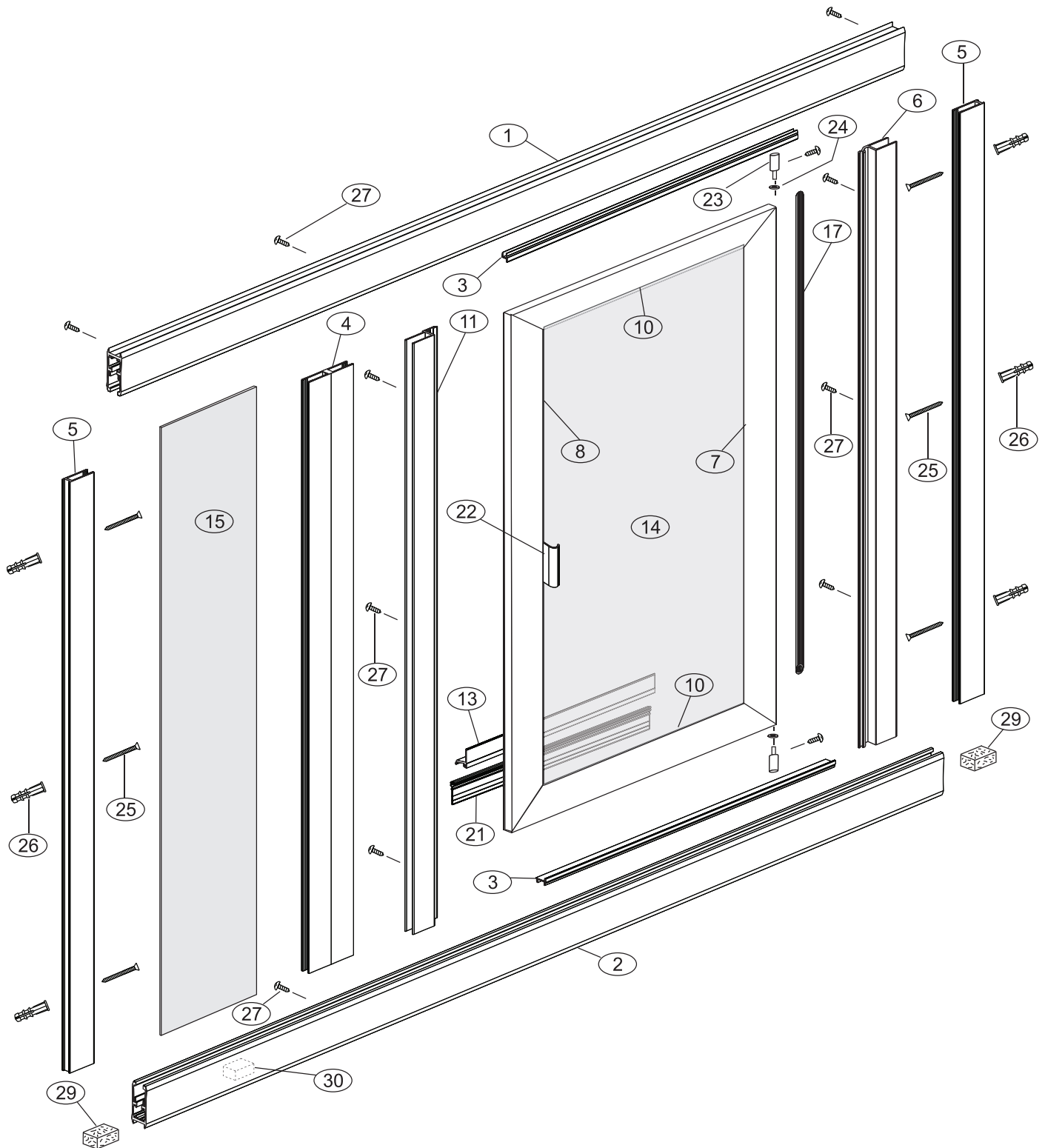


**Installation Instructions for the
Fresco Collection Swing Door w/ In-line Panel.
Model: FS180 & FS280
Drawing Number: 6172F Rev. Date: 12-08-08**



Figure #1 - FS180 & FS280 Shower Door Assembly

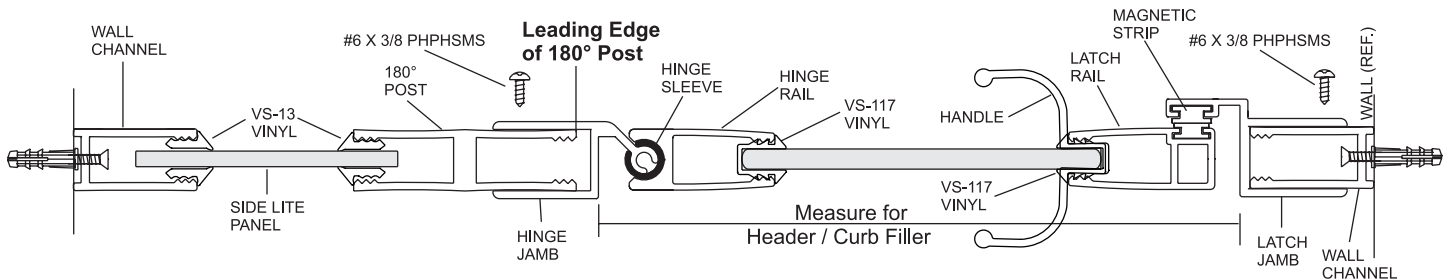


**Installation Instructions for the
Fresco Collection Swing Door w/ In-line Panel.
Model: FS180 & FS280
Drawing Number: 6172F Rev. Date: 12-08-08**



Figure #2 - FS180 & FS280 Shower Door Assembly - Top View

FS 180



FS 280

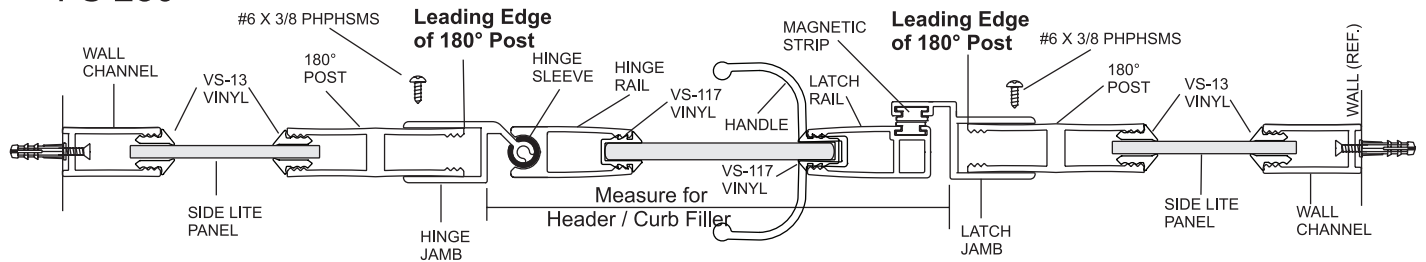


Figure #3 - Foam Curb Plug

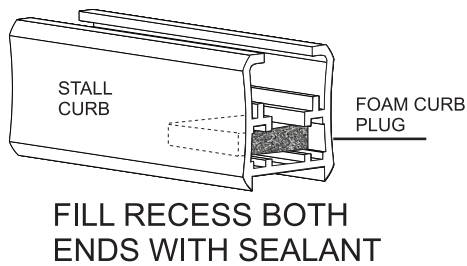


Figure #5 - FS180 & FS280- Side View

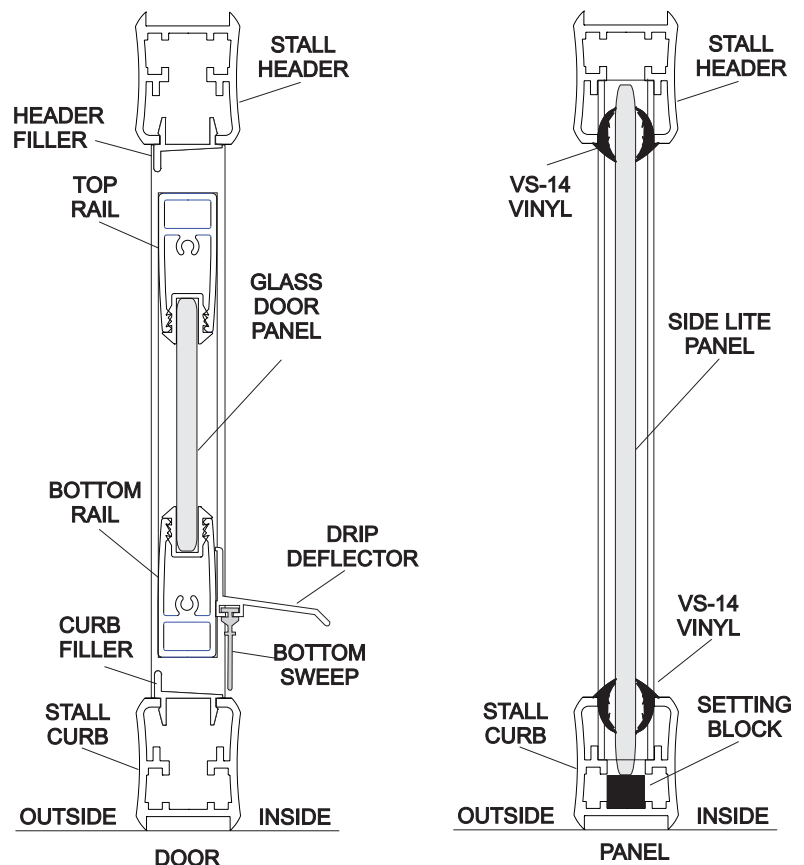
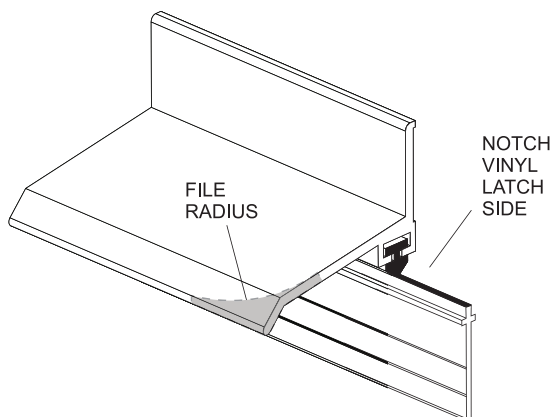


Figure #4 - Drip Deflector Notching



**Installation Instructions for the
Fresco Collection Swing Door w/ In-line Panel.
Model: FS180 & FS280
Drawing Number: 6172F Rev. Date: 12-08-08**



FS180 & FS280 Parts List

ITEM	PART #	DESCRIPTION	QTY FS180	QTY FS280	ITEM	PART #	DESCRIPTION	QTY FS180	QTY FS280
1	1071	STALL HEADER	1	1	16	4008	VS-117 BOOT VINYL	1	1
2	1071	STALL CURB	1	1	17	4034	HINGE SLEEVE	1	1
3	1072	HEADER / CURB FILLER	2	2	18	4023	VS-11 HANDLE VINYL	1	1
4	1073	180° POST	1	2	19	4013	VS-13 VERTICAL VINYL	4	8
5	1068	JAMB FILLER / WALL CHANNEL	2	2	20	4014	VS-14 HORIZONTAL VINYL	4	8
6	1165	HINGE JAMB	1	1	21	4018	VW-2 BOTTOM SWEEP	1	1
7	1190	HINGE RAIL	1	1	22	1196	HANDLE	1	1
8	1191	LATCH RAIL	1	1	23	2001	HINGE PIN	2	2
9	4100	LATCH RAIL MAGNET	1	1	24	2002	FLAT WASHER	2	2
10	1192	TOP / BOTTOM RAIL	2	2	25	2101	#8 X 1-1/2 FHPSMS	6	6
11	1193	LATCH JAMB	1	1	26	2217	3/16 WALL ANCHOR	6	6
12	4100	LATCH JAMB MAGNET	1	1	27	2102	6 X 3/8 PHPSMS	10	12
13	1097	DRIP DEFLECTOR	1	1	28	2122	6-20 X 1-1/2 FH LEAD PT.	4	4
14	7102	GLASS DOOR PANEL	1	1	29	2204	FOAM CURB PLUGS	2	2
15	7106	GLASS SIDE LITE PANEL	1	2	30	2203	SETTING BLOCKS	1	2



6172F - FS180 & FS280 Assembly Instructions



SAFETY WARNING:

These installation instructions must be followed to ensure proper operation of the door and to reduce the risk of serious injury. Any deviation from these instructions can result in a serious safety hazard.

All exposed ends of aluminum that are rough, sharp or jagged due to the metal being cut, drilled or damaged should be de-burred, smoothed or rounded by the installer before installation. Failure to do so could result in serious injury to the user of the enclosure.

Any part of the swinging glass panels hitting any unprotected bathroom obstruction or metal or glass component of the shower door itself, may indicate improper installation and could lead to serious injury. Installers must correct the deficiencies before allowing the door to be used.

STEP 1 - FS180 / FS280

Measure the wall to wall opening 1/2" above the threshold. Subtract 1/16" and cut the Stall Curb, (ITEM #2), to length. Insert one Foam Curb Plug (ITEM #29), into each end, recessing them 1/8". Seal each end with sealant. See (FIG. #3) Set curb section in place and mark the curb location at each wall. NOTE: Ensure the weep holes are oriented to the inside of the shower. Insert Setting Block(s), (ITEM #30), into the curb where a side lite panel will sit. The glass must not sit directly on the metal curb.

STEP 2 - FS180 / FS280

Insert a Wall Channel, (ITEM #5), into the Stall Curb at each wall, one at a time, plumb with a level and mark the factory holes onto the walls. Drill the holes with a 3/16" drill bit (use carbide tip bit if going into tile or other masonry types of materials) insert Wall Anchors, (ITEM #26), and secure both Wall Channels to the walls with #8 X 1-1/2 FHPSMS, (ITEM #25).

STEP 3 - FS180 ONLY

Insert the Side Lite Panel, (ITEM #15), into the Stall Curb and Wall Channel, resting on a Setting Block. NOTE: If patterned or frosted glass is used, ensure that the rough side faces outward. Insert the 180° Post, (ITEM #4), into the Stall Curb and over the edge of the Side Lite Panel. Adjust the door opening by noting what width door has been supplied and subtract 3/4". Mark this dimension onto the Stall Curb measuring from the door side wall. Move the leading edge of the 180° Post to this mark. See (FIG. #2) for detail. Temporarily hold the post and glass in place by glazing the top 1" – 2" of the panel into the channels with VS-13 Vinyl, (ITEM #19). Do not cut the vinyl at this time.

**Installation Instructions for the
Fresco Collection Swing Door w/ In-line Panel.**

Model: FS180 & FS280

Drawing Number: 6172F Rev. Date: 12-08-08



6172F Assembly Instructions (Continued)

STEP 3 - FS280

Insert the Side Lite Panels, (ITEM #15), into the Stall Curb and Wall Channels, resting on a Setting Block. NOTE: If patterned or frosted glass is used, ensure that the rough side faces outward. Insert the 180° Posts, (ITEM #4), into the Stall Curb and over the edge of the Side Lite Panels. Measure and mark the center of the Stall Curb. Adjust the 180° Posts for the door opening by noting what width door has been supplied and subtract 1-3/4". Center this dimension over the center of the Stall Curb and mark it onto the curb. Bring the leading edges of the 180° Posts to these marks. See (FIG.#2) for detail. Temporarily hold the post and glass in place by glazing the top 1" – 2" of the panel into the channels with VS-13 Vinyl, (ITEM #19). Do not cut the vinyl at this time.

STEP 4 - FS180 / FS280

Measure wall to wall at the top of the vertical posts. Subtract 1/16" and cut the Stall Header, (ITEM #1), to length. Set header in place over the top of the vertical posts. Verify that the bottom(s) of the 180° Post(s) have not moved from their marks then tap the top(s) of the 180° Posts into a plumb position. From the inside of the shower, attach the header by drilling through the header into the verticals with a #32 wire gauge drill bit. The glass panels should be tilted out of the way while drilling holes. Secure header with #6 X 3/8 PHPSMS, (ITEM #27). Only the bottom(s) of the 180° Post(s) need to be secured using this same method.

STEP 5

Center a Side Lite Panel between its posts and glaze the verticals with 4 – VS-13 Glazing Vinyl, (ITEM #19). Glaze the top and bottom of the panel with 4 – VS-14 Glazing Vinyl, (ITEM #20). See (FIG.#5). Repeat this procedure for a second Side Lite Panel.

STEP 6 - FS180 / FS280

Adjust the Latch Jamb to the door assembly. Center the magnets on each other. If the magnets repel each other, slide the magnet in the Latch Jamb out and turn it end for end and slide it back in. Work the door a few times to make sure the magnets are centered. From the inside of the shower, drill the top hole on the Latch Jamb into the vertical post with a #32 wire gauge drill bit. Secure with a #6 X 3/8 PHPSMS, (ITEM #27). Re-check the door alignment and repeat the procedure for the middle and bottom screws.

STEP 7

With the door in the closed position, measure between the Hinge Jamb and Latch Jamb at the top of the Stall Curb. See (FIG.#2) for detail. Cut one Curb Filler, (ITEM #3) to this length. Snap the filler into place in the curb with the vertical water dam of the part to the outside. Seal each end with sealant. Repeat this procedure for the top Header Filler. The Header Filler does not require sealant.

STEP 8 - FS180 / FS280

To install the Drip Deflector, (ITEM #13), measure the width of the frame only, that surrounds the door glass. Add 3/8". Cut the deflector to this length. File a radius on the cut end similar to the factory radius on the other end. See (FIG.#4). Install the Bottom Sweep, (ITEM #21), into the bottom of the Drip Deflector. Trim the ends 1/4" long at both ends. Notch the Bottom Vinyl at the Latch Jamb end as shown in (FIG.#4). Peel the paper off the tape on the Drip Deflector. Stand inside the shower with the door closed, and attach the Drip Deflector to the bottom of the door so that the bottom sweep is within a 1/16" of touching the Dam Strip. If not using the Dam Strip, the bottom sweep should just touch the threshold.

STEP 9 - FS180 / FS280

Run a bead of sealant the full length on the inside of the shower where the shower door meets the walls and threshold.