

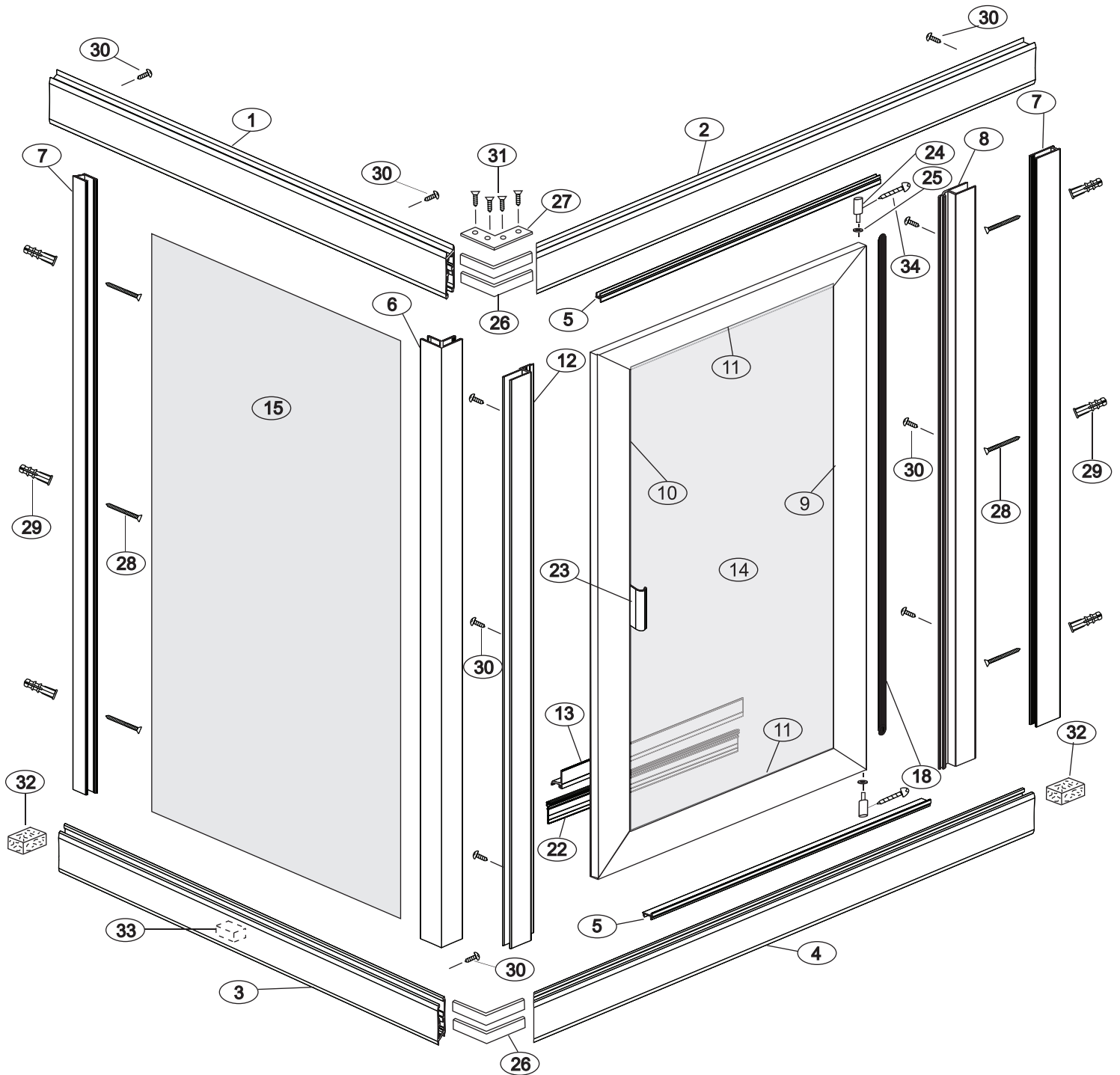
Installation Instructions for the
Vision Collection Swing Door w/ 90° Panel.

Model: VS90

Drawing Number: 6173F Rev. Date: 12-09-08



Figure #1 - FS90 Shower Door Assembly



**Installation Instructions for the
Vision Collection Swing Door w/ 90° Panel.**

Model: VS90

Drawing Number: 6173F Rev. Date: 12-09-08



Figure #2 - FS90 - Top View

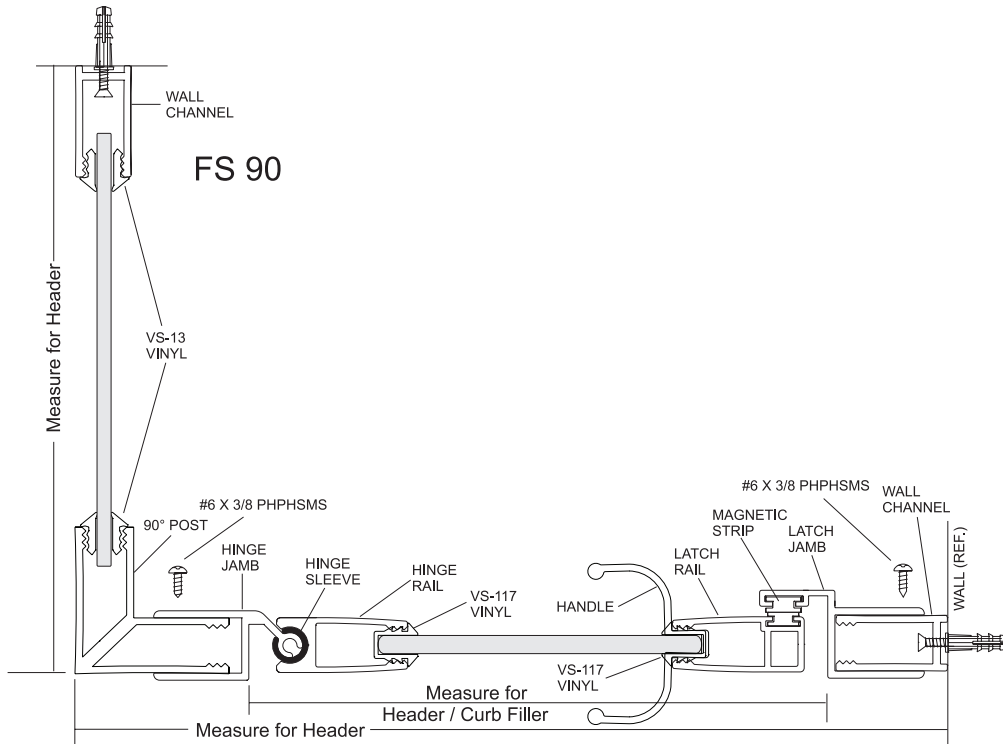
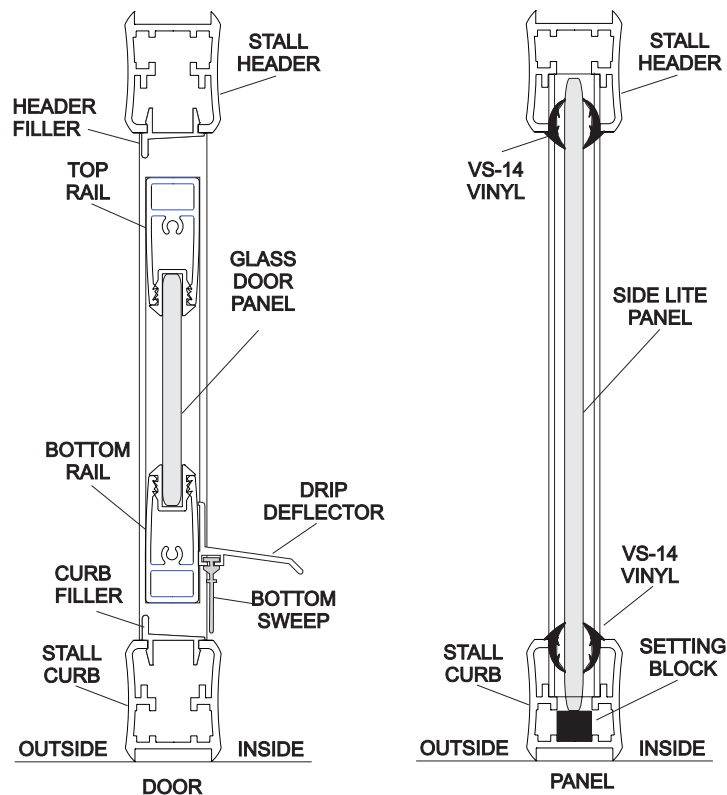


Figure #3 - FS90 - Side View



**Installation Instructions for the
Vision Collection Swing Door w/ 90° Panel.**

Model: VS90

Drawing Number: 6173F Rev. Date: 12-09-08



**Figure #4 - FS90 - Drip Deflector
Preparation and Notching**

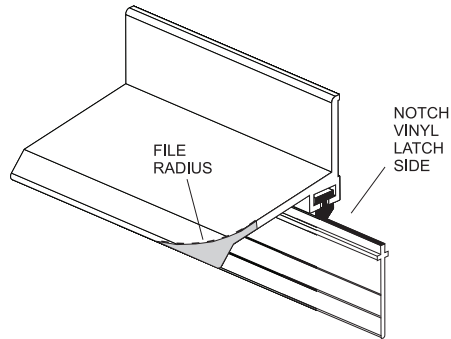
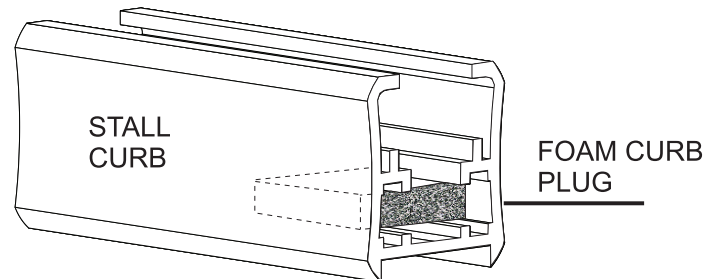


Figure #5 - Foam Curb Plug



**FILL RECESS BOTH
ENDS WITH SEALANT**

6173F - FS90 Parts List

| ITEM | PART # | DESCRIPTION | QTY | ITEM | PART # | DESCRIPTION | QTY |
|------|--------|----------------------------|-----|------|--------|--------------------------|-----|
| 1 | 1071 | STALL HEADER LEFT SECTION | 1 | 18 | 4034 | HINGE SLEEVE | 1 |
| 2 | 1071 | STALL HEADER RIGHT SECTION | 1 | 19 | 4023 | VS-11 HANDLE VINYL | 1 |
| 3 | 1071 | STALL CURB LEFT SECTION | 1 | 20 | 4013 | VS-13 VERTICAL VINYL | 4 |
| 4 | 1071 | STALL CURB RIGHT SECTION | 1 | 21 | 4014 | VS-14 HORIZONTAL VINYL | 4 |
| 5 | 1072 | HEADER / CURB FILLER | 2 | 22 | 4018 | VW-2 BOTTOM SWEEP | 1 |
| 6 | 1074 | 90° POST | 1 | 23 | 3018 | HANDLE | 1 |
| 7 | 1068 | JAMB FILLER / WALL CHANNEL | 2 | 24 | 2001 | HINGE PIN | 2 |
| 8 | 1165 | HINGE JAMB | 1 | 25 | 2002 | FLAT WASHER | 2 |
| 9 | 1190 | HINGE RAIL | 1 | 26 | 2015 | 90° HEADER / CURB CLIPS | 4 |
| 10 | 1191 | LATCH RAIL | 1 | 27 | 2016 | 90° HEADER PLATE | 1 |
| 11 | 1192 | TOP / BOTTOM RAIL | 2 | 28 | 2101 | #8 X 1-1/2 FHPHMS | 6 |
| 12 | 1193 | LATCH JAMB | 1 | 29 | 2217 | 3/16 WALL ANCHOR | 6 |
| 13 | 1097 | DRIP DEFLECTOR | 1 | 30 | 2102 | #6 X 3/8 PHPSMS | 10 |
| 14 | 7102 | GLASS DOOR PANEL | 1 | 31 | 2102 | #6 X 3/8 FHPHMS | 4 |
| 15 | 7106 | GLASS SIDE LITE PANEL | 1 | 32 | 2204 | FOAM CURB PLUGS | 2 |
| 16 | 4008 | VS-117 BOOT VINYL | 1 | 33 | 2203 | SETTING BLOCKS | 1 |
| 17 | 4100 | LATCH JAMB MAGNET | 2 | 34 | 2122 | #6 X 1-1/2 FH SD LEAD PT | 4 |

Installation Instructions for the Vision Collection Swing Door w/ 90° Panel.

Model: VS90

Drawing Number: 6173F Rev. Date: 12-09-08



6173F - FS90 Assembly Instructions

SAFETY WARNING:

These installation instructions must be followed to ensure proper operation of the door and to reduce the risk of serious injury. Any deviation from these instructions can result in a serious safety hazard.

All exposed ends of aluminum that are rough, sharp or jagged due to the metal being cut, drilled or damaged should be de-burred, smoothed or rounded by the installer before installation. Failure to do so could result in serious injury to the user of the enclosure.

Any part of the swinging glass panels hitting any unprotected bathroom obstruction or metal or glass component of the shower door itself, may indicate improper installation and could lead to serious injury. Installers must correct the deficiencies before allowing the door to be used.



STEP 1

On the shower base, mark the centerline of the unit. The curb sections may have already been cut to size at the factory. If not, measure the centerline distance of the door and return panel and add 1/2" to each measurement. Transfer to the appropriate curb sections, (ITEM # 3&4). NOTE: All dimensions on the curb and header are measured from the tip, (longest point), of the 45° miter. Cut each curb section to length by straight cutting the end opposite the miter. Insert one Foam Curb Plug, (ITEM #32), into the straight cut end of each curb section. Recess approximately 1/8". Fill recess with sealant. See (FIG. #5). Assemble curb sections with two Curb Clips, (ITEM #26). Ensure the weep holes are oriented to the inside of the shower. Reposition the curb section onto base. Seal the mitered corner with sealant, readjust alignment if necessary. Insert a Setting Block, (ITEM #33), into the curb where the Side lite panel will sit. The Side lite panel must not rest on the metal curb.

STEP 2

Insert a Wall Channel, (ITEM #7), into the Stall Curb at each wall, one at a time, plumb with a level and mark the factory holes onto the walls. Drill the holes with a 3/16" drill bit (use carbide tip bit if going into tile or other masonry types of materials) insert Wall Anchors, (ITEM #29), and secure both Wall Channels to the walls with #8 X 1-1/2 FHPHMS, (ITEM #28).

STEP 3

Insert the Side Lite Panel, (ITEM #15), into the Stall Curb and Wall Channel, resting on a Setting Block. NOTE: If patterned or frosted glass is used, ensure that the rough side faces outward. Insert the 90° Post, (ITEM #6), into the Stall Curb and over the edge of the Side Lite Panel. Temporarily hold the post and glass in place by glazing the top 1" – 2" of the panel into the channels with VS-13 Vinyl, (ITEM #20). Do not cut the vinyl at this time.

STEP 4

Use a level to plumb the 90° Post in both directions. Measure from the outside corner of the post to each wall. See (FIG. #2). Add 1/8" to each dimension. Apply dimensions to the appropriate Header Section. NOTE: All dimensions on the curb and header are measured from the tip, (longest point), of the 45° miter. Cut each Header Section to length by straight cutting the end opposite the miter. Assemble the Header Sections with 2 - 90° Header Clips, (ITEM #26), and 1 - 90° Header Plate, (ITEM #27). Keeping the miters tightly together, mark the factory holes in the plate, onto the top of the header. Drill with a #32 wire gauge drill bit. Secure headers with 4 - #6 X 3/8 FHPHMS, (ITEM #31).

STEP 5

Center the Side Lite Panel between its posts and glaze the verticals with 4 – VS-13 Glazing Vinyl, (ITEM #20). Glaze the top and bottom of the panel with 4 – VS-14 Glazing Vinyl, (ITEM #21). See (FIG.#3).

STEP 6

Set headers in place over the top of the vertical posts. From the inside of the shower, attach the header by drilling through the header into the verticals with a #32 wire gauge drill bit. The glass panel should be tilted out of the way while drilling holes. Secure header with 3 - #6 X 3/8 PHPHMS, (ITEM #30). Only the bottom of the 90° Post needs to be secured using this same method.

STEP 7

Set the Latch Jamb, (ITEM #12), in place over the appropriate vertical post, but do not secure at this time. Orient the door so that it will open outwards and slide it over the opposite post. Adjust the Hinge and latch jamb somewhat equally off their respective vertical posts,

**Installation Instructions for the
Vision Collection Swing Door w/ 90° Panel.**

Model: VS90

Drawing Number: 6173F Rev. Date: 12-09-08



6173F - VS90 Assembly Instructions (Continued)

(Primary Adjustment). Adjust Hinge Jamb so that the top of the door is parallel with the bottom of the header. From the inside of the shower, drill the top hole on the Hinge Jamb into the vertical post with a #32 wire gauge drill bit. Secure with a #6 X 3/8 PHPHSMS, (ITEM #30). Re-check the door alignment and repeat the procedure for the middle and bottom screws.

STEP 8

Adjust the Latch Jamb to the door assembly. Center the magnets on each other. If the magnets repel each other, slide the magnet in the Latch Jamb out and turn it end for end and slide it back in. Work the door a few times to make sure the magnets are centered. From the inside of the shower, drill the top hole on the Latch Jamb into the vertical post with a #32 wire gauge drill bit. Secure with a #6 X 3/8 PHPHSMS, (ITEM #30). Re-check the door alignment and repeat the procedure for the middle and bottom screws.

STEP 9

With the door in the closed position, measure between the Hinge Jamb and Latch Jamb at the top of the Stall Curb. See (FIG.#2) for detail. Cut one Curb Filler, (ITEM #5) to this length. Snap the filler into place in the curb with the vertical water dam of the part to the outside. Seal each end with sealant. Repeat this procedure for the top Header Filler. The Header Filler does not require sealant.

STEP 10

To install the Drip Deflector, (ITEM #13), measure the width of the frame only, that surrounds the door glass. Add 3/8". Cut the deflector to this length. File a radius on the cut end similar to the factory radius on the other end. Install the Bottom Sweep, (ITEM #22), into the bottom of the Drip Deflector. Trim the ends 1/4" long at both ends. Notch the Bottom Vinyl at the Latch Jamb end as shown in (FIG.#4). Peel the paper off the tape on the Drip Deflector. Stand inside the shower with the door closed, and attach the Drip Deflector to the bottom of the door so that the bottom sweep is within a 1/16" of touching the Dam Strip. If not using the Dam Strip, the bottom sweep should just touch the threshold.

STEP 11

Run a bead of sealant the full length on the inside of the shower where the shower door meets the walls and threshold.