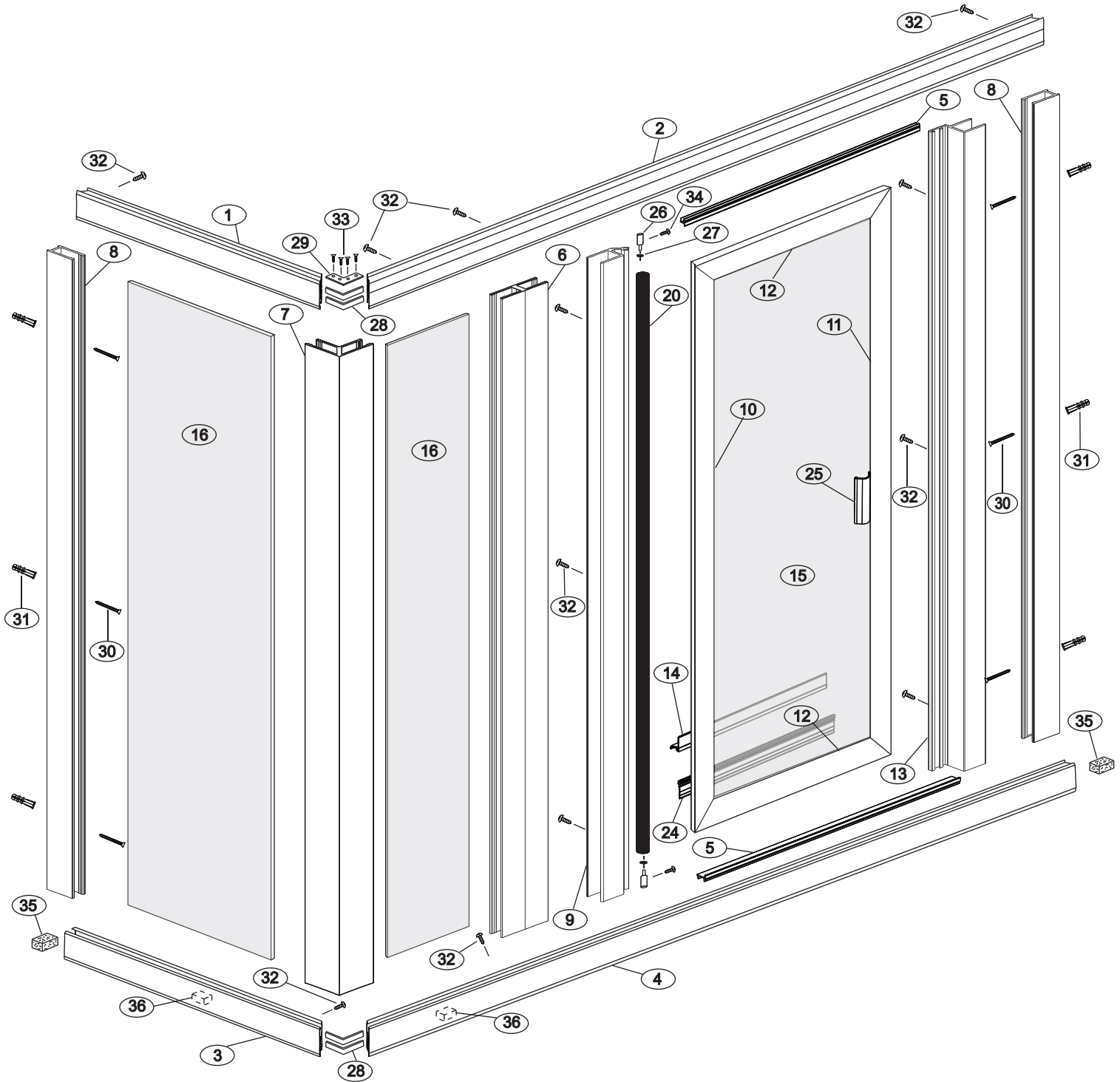


Installation Instructions for the
Fresco Collection Swing Door w/ in-line & 90° Panel.
Model: FS290
Drawing Number: 6174F Rev. Date: 12-10-08



Figure #1 - FS290 Shower Door Assembly



**Installation Instructions for the
Fresco Collection Swing Door w/ in-line & 90° Panel.
Model: FS290
Drawing Number: 6174F Rev. Date: 12-10-08**



Figure #2 - FS290 - Top View

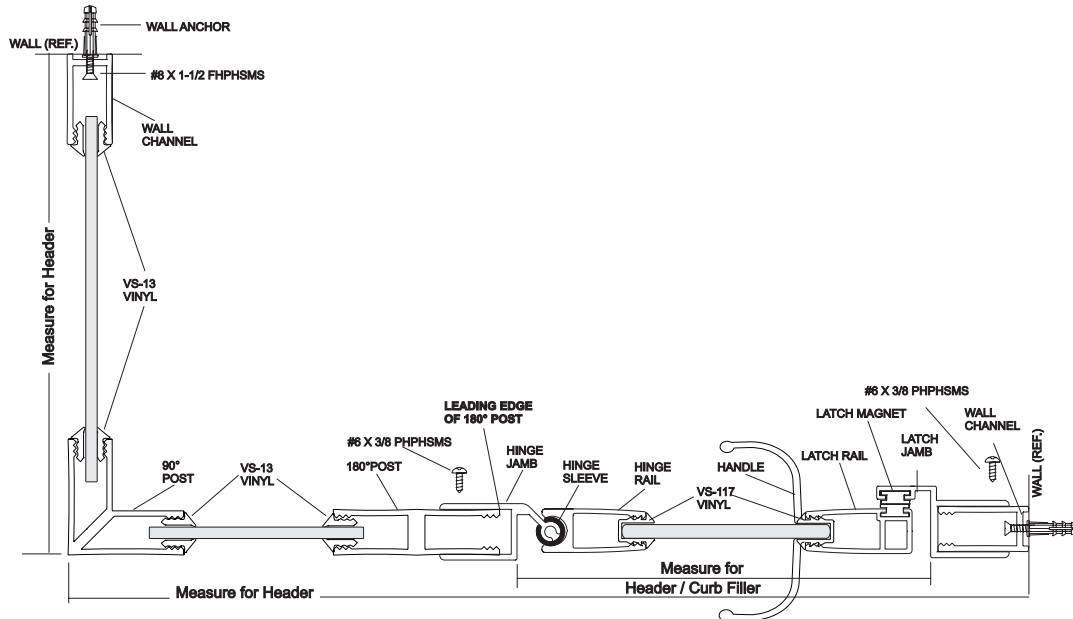


Figure #3 - FS290 - Side View

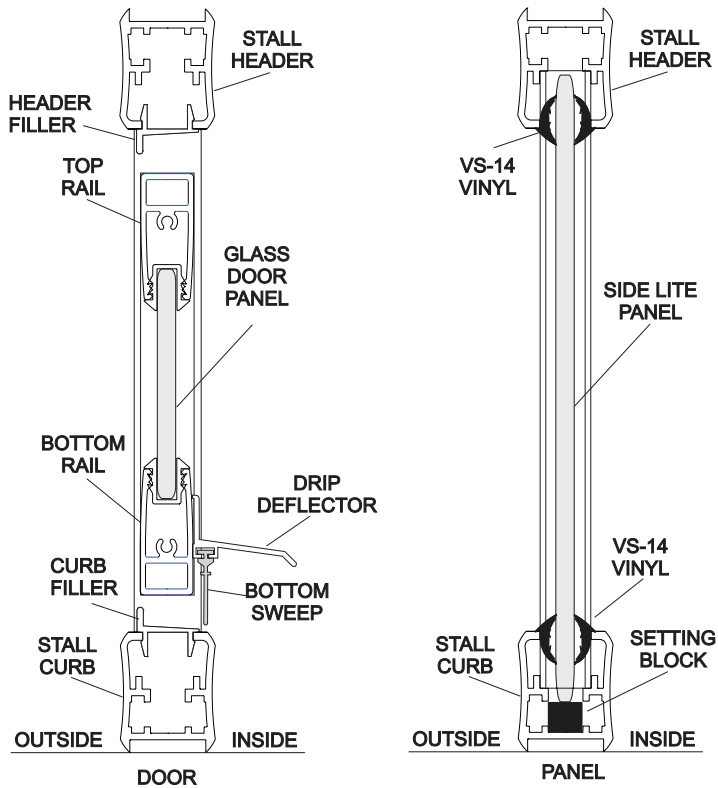
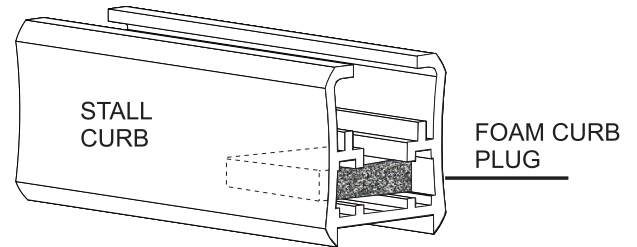


Figure #4 - Foam Curb Plug

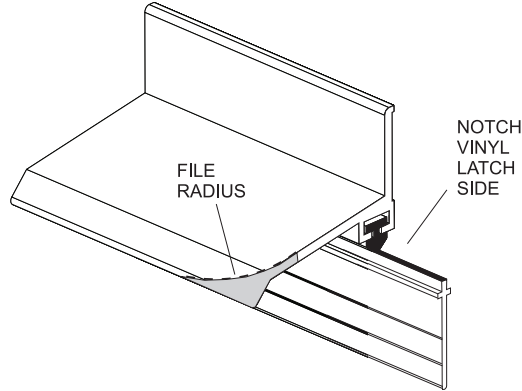


FILL RECESS BOTH ENDS WITH SEALANT

**Installation Instructions for the
Fresco Collection Swing Door w/ in-line & 90° Panel.
Model: FS290
Drawing Number: 6174F Rev. Date: 12-10-08**



Figure #5 - Vinyl Notching



FS290 Parts List

ITEM	PART #	DESCRIPTION	QTY	ITEM	PART #	DESCRIPTION	QTY
1	1071	STALL HEADER LEFT SECTION	1	19	4100	LATCH RAIL MAGNET	1
2	1071	STALL HEADER RIGHT SECTION	1	20	4034	HINGE SLEEVE	1
3	1071	STALL CURB LEFT SECTION	1	21	4023	VS-11 HANDLE VINYL	1
4	1071	STALL CURB RIGHT SECTION	1	22	4013	VS-13 VERTICAL VINYL	8
5	1072	HEADER / CURB FILLER	2	23	4014	VS-14 HORIZONTAL VINYL	8
6	1073	180° POST	1	24	4018	VW-2 BOTTOM SWEEP	1
7	1074	90° POST	1	25	1196	HANDLE	1
8	1068	JAMB FILLER / WALL CHANNEL	2	26	2001	HINGE PIN	2
9	1165	HINGE JAMB	1	27	2002	FLAT WASHER	2
10	1190	HINGE RAIL	1	28	2015	90° HEADER / CURB CLIPS	4
11	1191	LATCH RAIL	1	29	2016	90° HEADER PLATE	1
12	1192	TOP / BOTTOM RAIL	2	30	2101	#8 X 1-1/2 FHPHMS	6
13	1193	LATCH JAMB	1	31	2217	3/16 WALL ANCHOR	6
14	1097	DRIP DEFLECTOR	1	32	2102	#6 X 3/8 FHPHMS	12
15	7102	GLASS DOOR PANEL	1	33	2102	#6 X 3/8 FHPHMS	4
16	7106	GLASS SIDE LITE PANEL	2	34	2122	#6-20 X 1-1/2 DOG PT	4
17	4008	VS-117 BOOT VINYL	1	35	2204	FOAM CURB PLUGS	2
18	4100	LATCH JAMB MAGNET	1	36	2203	SETTING BLOCKS	2

6174F - FS290 Assembly Instructions

SAFETY WARNING:

These installation instructions must be followed to ensure proper operation of the door and to reduce the risk of serious injury. Any deviation from these instructions can result in a serious safety hazard.



All exposed ends of aluminum that are rough, sharp or jagged due to the metal being cut, drilled or damaged should be de-burred, smoothed or rounded by the installer before installation. Failure to do so could result in serious injury to the user of the enclosure.



Any part of the swinging glass panels hitting any unprotected bathroom obstruction or metal or glass component of the shower door itself, may indicate improper installation and could lead to serious injury. Installers must correct the deficiencies before allowing the door to be used.

STEP 1

The curb sections may have already been cut to size at the factory. If not, measure the centerline distance of the door and return panel on the threshold and add 1/2" to each measurement. Transfer to the appropriate curb sections, (ITEM # 3&4). NOTE: All dimensions on the curb and header are measured from the tip, (longest point), of the 45° miter. Cut each curb section to length by straight cutting the end opposite the miter. Insert one Foam Curb Plug, (ITEM #35), into the straight cut end of each curb section. Recess approximately 1/8". Fill recess with sealant. See (FIG. #4). Assemble curb sections with two Curb Clips, (ITEM #28). Position curb sections onto base. Seal the mitered corner with sealant, readjust alignment if necessary. Insert a Setting Block, (ITEM #36), into the curb where the Side lite panels will sit. The Side lite panels must not rest on the metal curb.

STEP 2

Insert a Wall Channel, (ITEM #8), into the Stall Curb at each wall, one at a time, plumb with a level and mark the factory holes onto the walls. Drill the holes with a 3/16" drill bit (use carbide tip bit if going into tile or other masonry types of materials) insert Wall Anchors, (ITEM #31), and secure both Wall Channels to the walls with #8 X 1-1/2 FHPHMS, (ITEM #30).

STEP 3

Insert the Return Side Lite Panel, (ITEM #16), into the Stall Curb and Wall Channel, resting on a Setting Block. NOTE: If patterned or frosted glass is used, ensure that the rough side faces outward. Insert the 90° Post, (ITEM #7), into the Stall Curb and over the edge of the Side Lite Panel. Temporarily hold the post and glass in place by glazing the top 1" - 2" of the panel into the channels with VS-13 Vinyl, (ITEM #22). Do not cut the vinyl at this time.

**Installation Instructions for the
Fresco Collection Swing Door w/ in-line & 90° Panel.**

Model: FS290

Drawing Number: 6174F Rev. Date: 12-10-08



STEP 4

Use a level to plumb the 90° Post in both directions. Measure from the outside corner of the post to each wall. See (FIG. #2). Add 1/8" to each dimension. Apply dimensions to the appropriate Header Section. NOTE: All dimensions on the curb and header are measured from the tip, (longest point), of the 45° miter. Cut each Header Section to length by straight cutting the end opposite the miter. Assemble the Header Sections with 2 - 90° Header Clips, (ITEM #28), and 1 - 90° Header Plate, (ITEM #29). Keeping the miters tightly together, mark the factory holes in the plate, onto the top of the header. Drill with a #32 wire gauge drill bit. Secure headers with 4 - #6 X 3/8 FPHSMS, (ITEM #33).

STEP 5

Set the 180° Side lite Panel, (ITEM #16), into the curb and 90° Post. Adjust the door opening by noting what width door has been supplied and subtract 3/4". Mark this dimension onto the Stall Curb measuring from the door side wall. Insert the 180° Post, (ITEM #6), into the curb and over the side lite panel. Move the leading edge of the 180° Post to this mark. See (FIG. #2) for detail. Temporarily hold the post in place by glazing the top 1" - 2" of the panel into the channels with VS-13 Vinyl, (ITEM #22). Do not cut the vinyl at this time. Set headers in place over the top of the vertical posts. Make sure the leading edge of the 180° is still on the mark, then tap the top of the post to the plumb position. From the inside of the shower, attach the header by drilling through the header into the verticals with a #32 wire gauge drill bit. The glass panel should be tilted out of the way while drilling holes. Secure header with 4 - #6 X 3/8 PHPSMS, (ITEM #32). Only the bottom of the 90° and 180° Posts needs to be secured using this same method.

STEP 6

Center the Side Lite Panels between their posts and glaze the verticals with 4 - VS-13 Glazing Vinyl, (ITEM #22). Glaze the top and bottom of the panel with 4 - VS-14 Glazing Vinyl, (ITEM #23). See (FIG.#3).

STEP 7

Set the Latch Jamb, (ITEM #13), in place over the appropriate vertical post, but do not secure at this time. Orient the door so that it will open outwards and slide it over the opposite post. Adjust the Hinge and latch jamb somewhat equally off their respective vertical posts, (Primary Adjustment). Adjust Hinge Jamb so that the top of the door is parallel with the bottom of the header. From the inside of the shower, drill the top hole on the Hinge Jamb into the vertical post with a #32 wire gauge drill bit. Secure with a #6 X 3/8 PHPSMS, (ITEM #32). Re-check the door alignment and repeat the procedure for the middle and bottom screws.

STEP 8

Adjust the Latch Jamb to the door assembly. Center the magnets on each other. If the magnets repel each other, slide the magnet in the Latch Jamb out and turn it end for end and slide it back in. Work the door a few times to make sure the magnets are centered. From the inside of the shower, drill the top hole on the Latch Jamb into the vertical post with a #32 wire gauge drill bit. Secure with a #6 X 3/8 PHPSMS, (ITEM #32). Re-check the door alignment and repeat the procedure for the middle and bottom screws.

STEP 9

With the door in the closed position, measure between the Hinge Jamb and Latch Jamb at the top of the Stall Curb. See (FIG. #2) for detail. Cut one Curb Filler, (ITEM #5) to this length. Snap the filler into place in the curb with the vertical water dam of the part to the outside. Seal each end with sealant. Repeat this procedure for the top Header Filler. The Header Filler does not require sealant.

STEP 10

To install the Drip Deflector, (ITEM #14), measure the width of the frame only, that surrounds the door glass. Add 3/8". Cut the deflector to this length. File a radius on the cut end similar to the factory radius on the other end. Install the Bottom Sweep, (ITEM #24), into the bottom of the Drip Deflector. Trim the ends 1/4" long at both ends. Notch the Bottom Vinyl at the Latch Jamb end as shown in (FIG.#5). Peel the paper off the tape on the Drip Deflector. Stand inside the shower with the door closed, and attach the Drip Deflector to the bottom of the door so that the bottom sweep is within a 1/16" of touching the Dam Strip. If not using the Dam Strip, the bottom sweep should just touch the threshold.

STEP 11

Run a bead of sealant the full length on the inside of the shower where the shower door meets the walls and threshold.