

1/4", 3/8" or 1/2" DOOR ONLY INSTALLATION

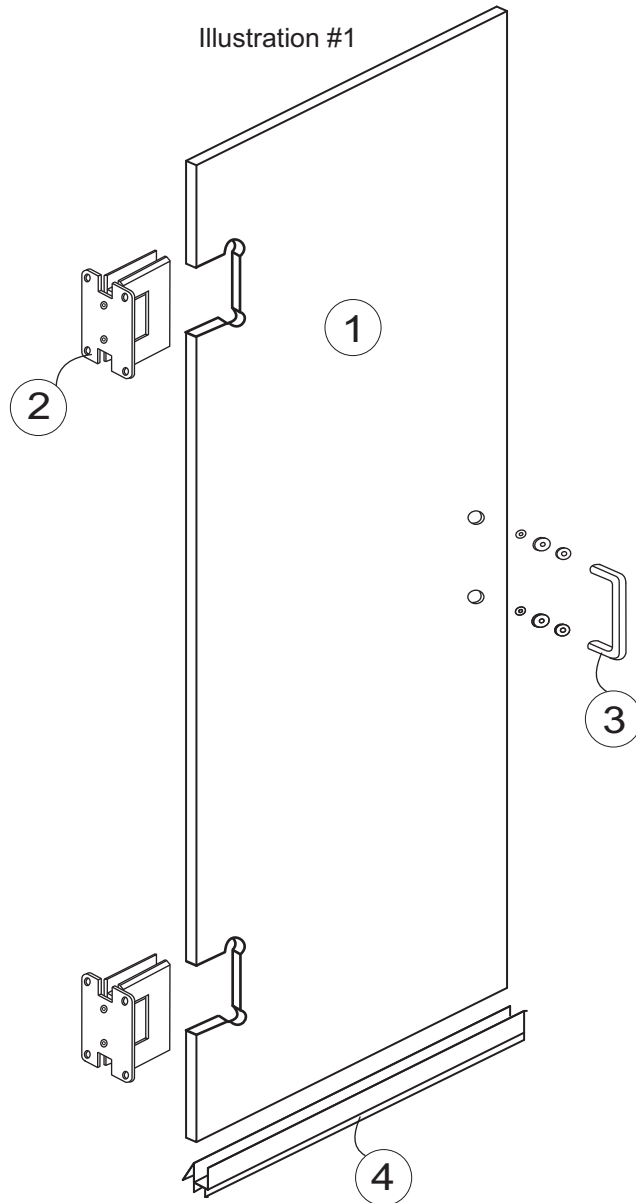
* Please Note: Before beginning the installation, read all of the instructions and check that the parts contained in the carton and hardware package match those parts listed below. If you should find any discrepancies please contact Holcam Sales at 1-800-843-3332

NOTICE: This is tempered glass, always protect the edges of the glass. Do not set raw edge of glass directly on floor or hard surface. Always set glass on shims or padding to protect the edges.

WARNING

To avoid damaging the finish of this Deluxe Shower Enclosure, use only mild cleaners. Always read the label of the cleaner to be used. Do not use harsh chemicals or abrasive detergents.

Illustration #1





TOOLS REQUIRED

1. Caulking gun & tube of pure or construction grade silicone
2. Phillips tip screwdriver
3. Wedge shaped shims (Wood or Vinyl)
4. Level
5. Electric drill with 9/64" & 1/4" drill bits (Carbide for tile)
6. Painters masking tape
7. Side Cutters or Hacksaw
8. Square (Framing preferred)

PARTS LIST

| ITEM | NAME |
|------|---------------------|
| 1. | Glass Door |
| 2. | Eurolite Hinge |
| 3. | 6" Handle to Handle |
| 4. | Vinyl Sweep |

ASSEMBLY HARDWARE

- | | |
|---|--|
|  | 5. #10 X 2" Flat Head Screws |
|  | 6. Plastic Anchors (For 1/4" glass only) |

Single door installation instructions

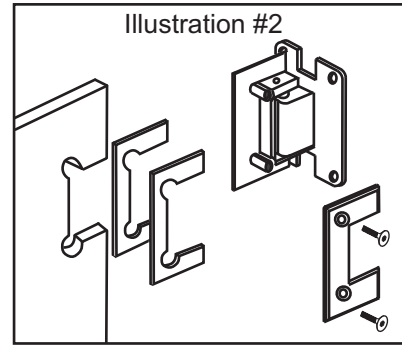
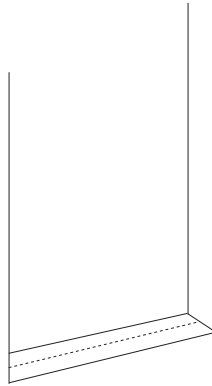
1. Mark the centerline of the sill lightly in pencil at 90° from wall.

Attach hinges to glass as shown in illustration #2, make sure that the hinges are plumb. The back plate is attached from the inside of the shower. Painters tape may be used to protect the front of the hinge.

For 1/4" glass use two hinge pads on each side of the glass.

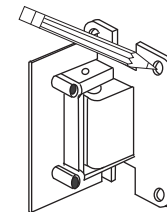
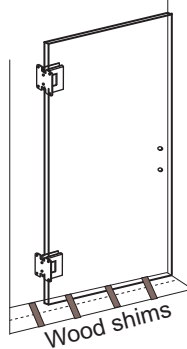
For 3/8" glass use the 2 thicker hinge pads.

For 1/2" glass use the 2 thinner hinge pads.



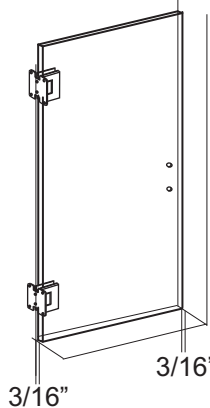
View from inside of shower

2. Place 1/2" shims along the sill to set the door glass on. Set the door on the shims and position it so that all of the backing plates are flat against the wall. Adjust the shims to provide a minimum of 3/16" between the bottom of the door and the highest point on the sill. When the door is properly positioned and plumb, mark the mounting hole locations through the holes in the hinge plates. Remove the door from the opening and set on a padded surface.



Mark hole locations for each hinge

3. Using a 1/4" drill bit, drill through the finish wall material only. Using a 9/64" bit centered in the 1/4" hole, drill pilot holes into the wood stud. Remove the hinges from the door and attach them to the wall using the screws provided. Replace the glass onto the shims and adjust the glass so that there is a 3/16" clearance between the glass and wall on each side of the door. To install a 1/4" glass door, drill 1/4" holes deep enough for the anchors.

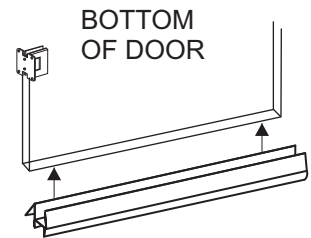
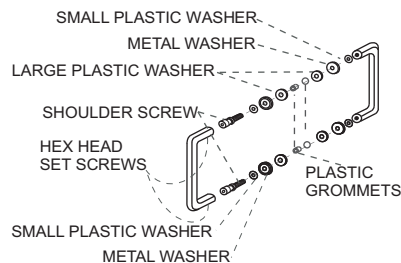


4. Insert the hinge screws by hand until all are snug. Tighten the screws alternately so that the hinge plate is clamped evenly onto the glass. The screws may be tightened until very snug. Do not tighten until the hinge is warped as this will not hold the glass as well. You may let the hinges set for 10 minutes and re-snug the screws. **NOTE:** Do not use a drill for tightening the screws



Alternate tightening screws

5. Install the handle or knob assembly with the bushings and washers provided through the holes in the glass. Measure the bottom of the door and cut the vinyl sweep to that size. Install the sweep onto the bottom edge of the glass with the hood towards the inside.



BOTTOM OF DOOR

For installation and technical support please reference the shipping document, the box that the product was shipped in or call the retail location that you purchased the product from.

These installation instructions must be followed to ensure proper operation of the door and to reduce the risk of serious injury. Any deviation from these instructions can result in a serious safety hazard



All exposed ends of aluminum that are rough, sharp or jagged due to the metal being cut, drilled or damaged should be deburred, smoothed or rounded by the installer before installation. Failure to do so could result in serious injury to the user of the enclosure.

Any part of the swinging glass door hitting any unprotected bathroom obstruction or metal or glass component of the shower door itself, may indicate improper installation and could lead to serious injury. Installer must correct the deficiencies before allowing the door to be used.