

Installation Instructions

Models: **SESD180, DESD180, MESD180**

1/4" Semi-Frameless Door and 3/8" In-Line Panel



Scan this Barcode for Parts Bag BP.3143.NLT



Thank you for purchasing this outstanding product!
This booklet will help you install your units safely and successfully.

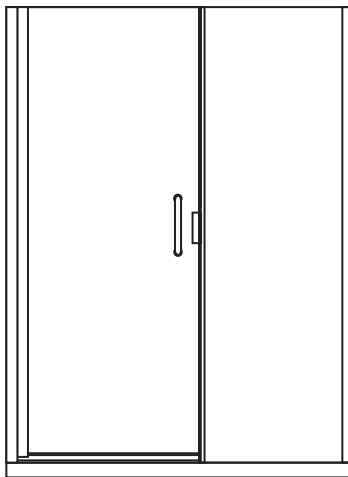
IMPORTANT: Warnings and General Shower Door Information
Page 2



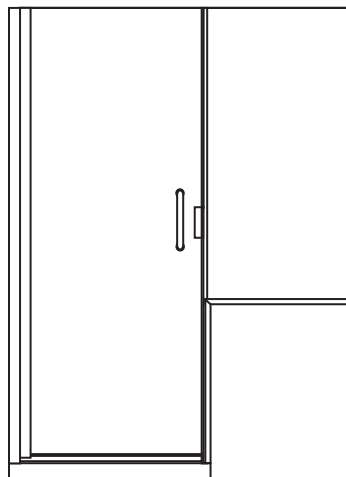
**SAFETY
WARNINGS:**



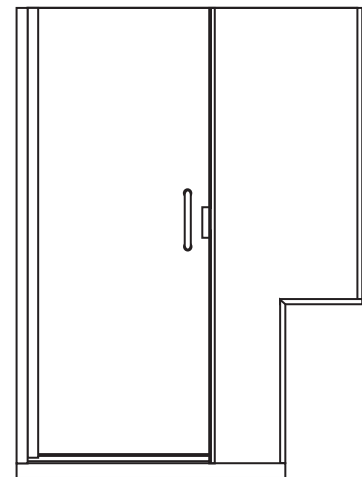
Pick a unit below that best represents your configuration.



**SESD180
DESD180
MESD180**
Standard Door/Panel
Pages 3 - 5



**SESD180
DESD180
MESD180**
with buttress
Pages 6 - 8



**SESD180
DESD180
MESD180**
with notched panel
Pages 9 - 11

General Required Tools

- * Pencil or water soluble felt pen
- * Hacksaw with 24 tooth blade
- * Metal file (smooth sharp edges)
- * Tape measure
- * Drill, electric or battery

- * #2 Phillips Screw driver
- * 7/64" and 3/16" drill bits
- * Caulking gun
- * Clear 100% Silicone (recommended)

- * 4 ft. Level
- * Rubber mallet
- * Razor knife
- * Blue painters tape



HEAVY



CAUTION

**SAFETY
WARNINGS:**



SHARP



GLASS FRAGILE

CAUTION - READ THOROUGHLY BEFORE INSTALLATION

Follow instructions: Instructions must be read and followed carefully to reduce the risk of serious injury during and after installation. Any deviation from these instructions can create safety hazards.

Tempered Glass: Agalite enclosures glass panels are safety tempered to conform to general building codes. The intent of tempering is to reduce the risk of injury. Be careful handling tempered glass. Pay special attention to protect all edges of the glass from contact with hard surfaces.

General Notes:

- **Exposed ends of aluminum** and other hard components can be rough, sharp or jagged due to the processes of cutting, drilling, notching, etc. Sharp ends must be deburred, smoothed or rounded by the installer before installation. Failure to do so could result in serious injury to installer and user of the enclosure.
- **Sliding and swinging glass doors** hitting any unprotected bathroom obstruction or metal or glass component of the shower door itself, may indicate improper installation and could lead to glass breakage or serious injury. The installer must correct the deficiencies before allowing the door to be used.
- **Towel Bars, handles and other accessories** are in no way considered to be grab bars or other bracing or fall prevention mechanisms. The intent of these accessories is to facilitate proper operations and esthetics of the unit.

Shower Door Facts

Shower Doors are Not Watertight: Depending on the type of shower door selected, a properly designed and installed shower enclosures will protect areas outside of the enclosure from water damage under normal shower conditions to varying degrees. Excessive water pressure or directing the shower head or hand held sprays directly at doors or joints is not a normal shower conditions and can result a leak. The amount of water that can escape your shower varies by the type of shower as well. Heavy glass units with no or limited vinyl seals will allow water to escape under normal conditions. In general, the more metal and seals in the unit, the more water protection will be achieved.

Drilling holes in horizontal surfaces: Drilling holes to anchor horizontal sills and curbs to thresholds and tub decks is discouraged. Using masking tape or double-sided tapes to secure non-load bearing components during installation (permanently secured later with silicone/caulking) is one technique to help minimize potential of water leaking underneath flooring. These instructions do not recommend drilling holes on horizontal surfaces for this reason.

Metal Colors:

- **Anodized Aluminum:** The color of anodized Silver, Brushed Nickel, Satin Silver, Dark Bronze, and Gold anodized aluminum will vary between adjacent components because of variability's within polishing, anodizing process and alloy composition. We make every effort to limit the variation; but, it is allowable and must be accepted.
- **Electro Plated Brass and Stainless Steel:** The color of Silver, Brushed Nickel, Satin Silver, Oil Rubbed Bronze, Dark Bronze, and Gold electro plated components will also vary. This is allowable. Most of these finishes are also "living finishes", meaning, they may change, wear, weather, show patina, oxidize, etc. over the life of the product. This is allowable.
- **Powder Coat:** This is a painting process and therefore can achieve the best color matching. Power coat paint, however, is less durable at joints of moving components and at edges that have been cut after the powder coat has cured. Some flaking or chipping in these areas are allowable.
- **All Metal:** Any metal component (and glass components as well) will have limited scratches and pits. We make every effort to limit them; but, they are allowable and must be accepted.

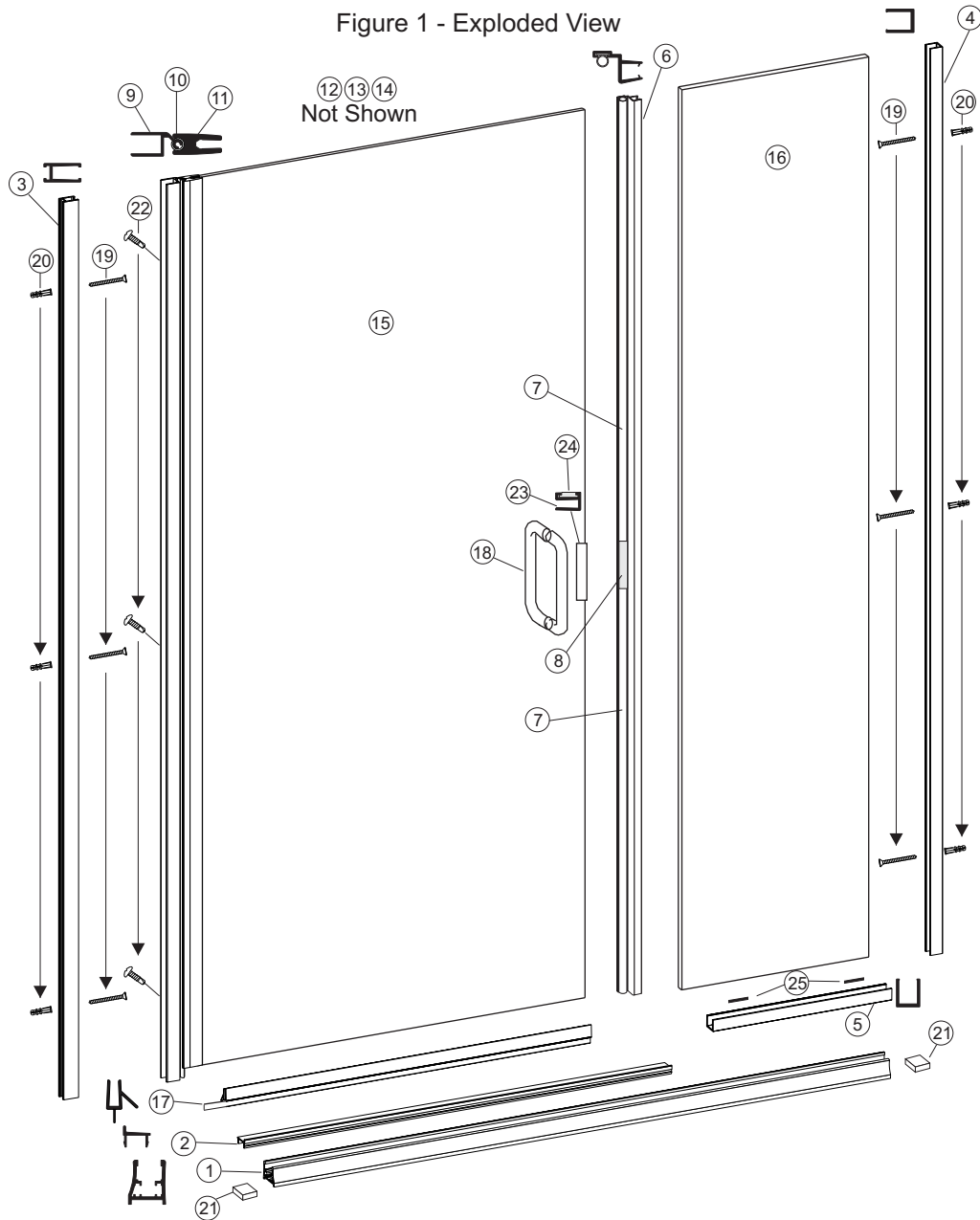
Cleaning and Care: refer to your owners manual for cleaning and care instructions.

Installation Instructions

Models: **SESD180, DESD180 or MESD180**

1/4" Semi-Frameless Door and 3/8" In-Line Panel

Figure 1 - Exploded View



Parts List

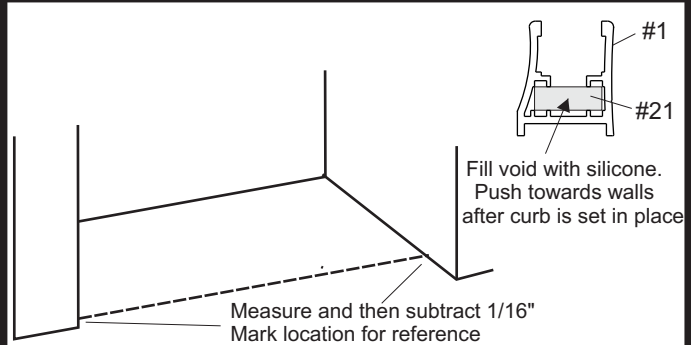
- | | | |
|--|--|--|
| <ul style="list-style-type: none"> 1. EX.1022 - Stall Curb - 1 2. EX.1025 - Curb Filer - 1 3. EX.1268 - Hinge Wall Channel - 1 4. EX.1018 - Panel Wall Channel - 1 5. EX.1018 - Panel Sill - 1 6.- 8. Clear-Poly Latch Assembly 9.- 15. Door Assembly - 1 16. 3/8 Clear Fixed Panel - 1 17. VN.4062 - PVC Drip Deflector - 1 18. HA.2701 - D-pull Handle - 1 19. SP.2101 - #8 X 1-1/2 FHPHSMS - 6 20. SP.2217 - 3/16 X 7/8 Wall Anchor - 6 | <ul style="list-style-type: none"> 21. SP.2204 - Foam Plug - 2 22. SP.2110 - #8 X 1/2 PHPH TEK - 3 23.- 24. Magnetic Edge Cap Assembly - 1 25. BP.3028 - Setting Block Kit 26. SP.2221 - Centering Clip - 5 27. VN.4033 - VS-20 Dry Glaze Vinyl <p style="text-align: center;">Extra screws may be provided
for your convenience</p> <ul style="list-style-type: none"> 6. Clear Poly Latch-VN.4075-PVC Latch - 1 7. VN.4002 - Bulb Seal - 1 8. SP.2194 - Strike Plate - 1 | <ul style="list-style-type: none"> 9. Door Assembly-EX.1165-Hinge Jamb-1 10. VN.4034 - Hinge Sleeve - 1 11. EX.1466 - Hinge Rail - 1 12. SP.2200 - Hinge Pin - 2 13. SP.2181 - Flat Washer - 2 14. SP.2123 - #6 X 1/2 PHPH MS - 2 15. 1/4 Clear Door Glass - 1 <p style="text-align: center;">Boxed information is assembly detail.</p> <ul style="list-style-type: none"> 23. Magnetic Cap Assy-EX.1619- Catch - 1 24. SP.2191 - Magnet - 1 |
|--|--|--|

Installation Instructions

Models: SESD180, DESD180 or MESD180
1/4" Semi-Frameless Door and 3/8" In-Line Panel

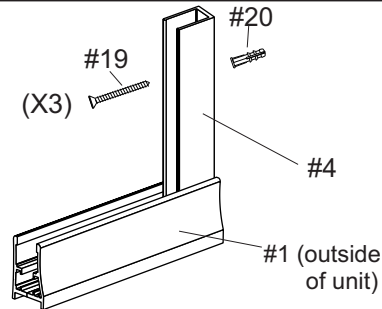
STEP 1 - Curb Installation (#1)

- * Measure the wall to wall where you want the center of the unit to be installed, subtract 1/16" from this.
- * Mark location for reference.
- * Cut the Stall Curb #1 to this length.
- * Insert foam plug #21 into each end of the Stall Curb and recess 1/8".
- * Fill 1/8" void with silicone.
- * Set the curb in place centered over where you measured, secure with blue tape.
- * Orient weep holes are to inside of shower.
- * Do not screw the curb to threshold.



STEP 2 - Wall Channel (#4)

- * Insert Wall Channel #4 into curb, on side of fixed panel.
- * Plumb channel with a level.
- * Mark the hole locations onto the wall.
- * Remove the channel
- * Drill marked locations with 3/16" drill bit
- * Insert 3 - Wall Anchors #20 (may have to razor heads of anchors flush to wall).
- * Re-insert channel and secure with 3 - #19 screws.



STEP 3 - Panel Sill (#5) and 3/8" Fixed Panel (#16)

- * Measure width of 3/8" Fixed Panel and subtract 3/8".
- * Cut the Panel Sill #5, to this length.
- * Set the Panel Sill #5 into the Stall Curb #1 and butt to the Wall Channel #4.
- * Insert two Setting Blocks #25 into Panel Sill.

Wet Glaze Option Only - If using silicone to bond the glass to the wall channel and sill:

- Install 2 - #26 Centering Clips evenly spaced into Panel Sill, offset from Setting Blocks.
- Insert 3 - #26 Centering Clips into the Wall channel.

Dry Glaze Option - If using push-in glazing vinyl to set the 3/8" glass panel, do not use Centering Clips #26.

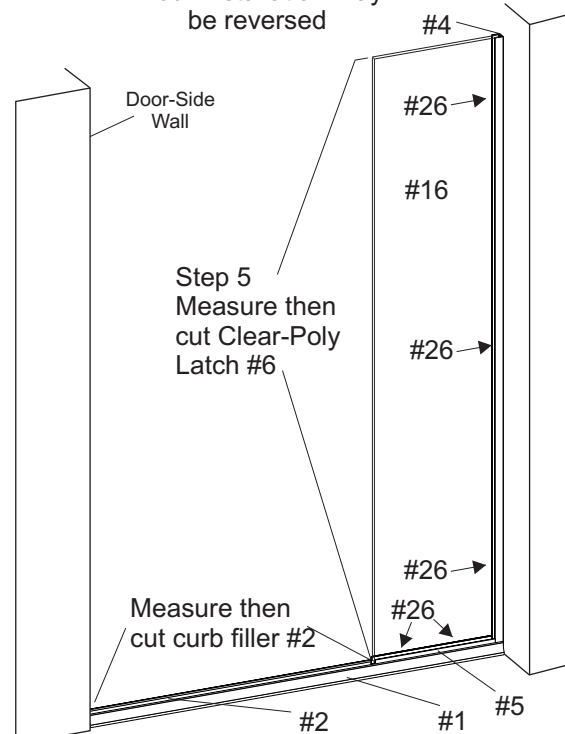
- * Set 3/8" Glass Panel into Panel Sill and Wall Channel.
- * Flush glass edge to exposed end of Panel Sill #5.
- * Adjust top of glass flush to top of Wall Channel, place additional setting blocks under glass if needed.
- * Ensure vertical edge of 3/8" Glass Panel is plumb.

Wet Glaze Option - Temporarily, but securely fix Glass Panel into position with blue painter's tape.

Dry Glaze Option - Holding the glass panel in position, roll or press the Glazing Bead into both sides of sill and wall channel using a roller or smooth block of wood.

- * Check to ensure panel didn't move.

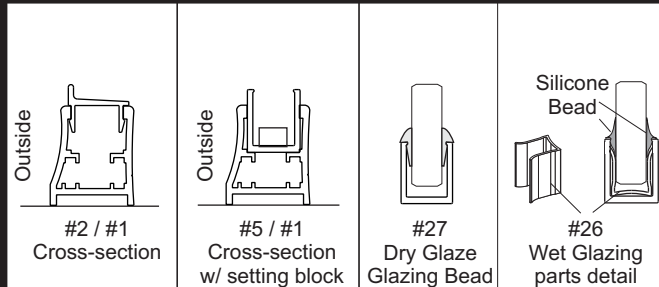
*Your installation may be reversed



*** If using the Dry Seal, once the push in vinyl has been installed, it cannot be easily removed without being replaced.

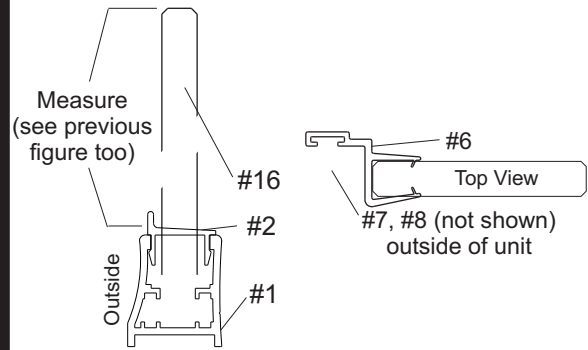
STEP 4 - Curb Filler (#2)

- * Measure from the edge of the 3/8" Glass Panel to the Door side wall.
- * Cut the Curb Filler #2 to this length.
- * With the two forks pointing down and the vertical leg to the front of the unit, snap the Curb Filler into the Stall Curb.
- * The slope of the Curb filler should be to the inside of the shower.



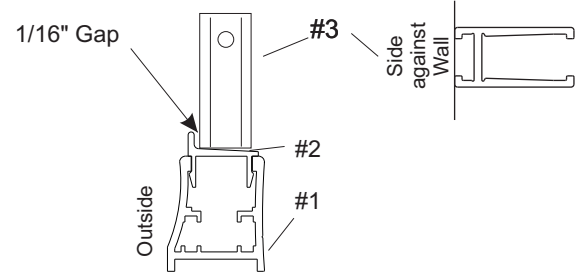
STEP 5 - Clear-Poly Latch Jamb (#6)

- * Measure from top of 3/8" Glass Panel #16 to top of the sloped surface of the Curb Filler #2.
 - * Take Clear-Poly Latch Jamb assembly, and remove the Bulb Seal and Strike Plate, set aside for later step.
 - * Cut Clear-Poly Latch #6 to above dimension using a 24 tooth hatch-saw. Power saw may damage latch.
- Recommended: notch the Clear-Poly Latch at bottom to clear the Panel Sill #5 (trim legs up 3/16").
- * Apply the Clear-Poly Latch Jamb on edge of Glass with latch inside unit ensuring it is flush with the top of the Fixed panel.



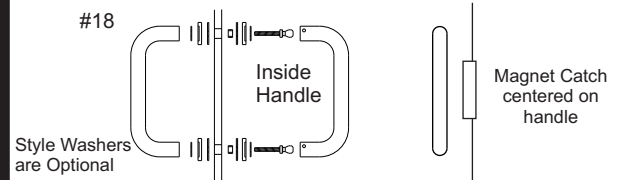
STEP 6 - Attach Door-Side Wall Channel (#3)

- * Set door-side Wall Channel #3 in place against the door side wall, on top of the Curb Filler.
- * Gap the bottom of the wall channel 1/16" from the vertical water dam of the Curb Filler (This will allow the room for the Door assembly to slide over.)
- * Plumb Wall Channel, mark the hole locations on wall and remove Wall Channel.
- * Drill holes with 3/16" bit, insert 3 - #20 Wall Anchors, re-install Wall channel and secure with 3 - #19 Screws.



STEP 7 - Door Assembly / Pre-Hanging Prep

- * Attach Pull - Handle #18 to Door.
- * Dry run the position of Magnetic Catch Assembly, #23, #24 and mark location with marker on glass.
- * Apply small bead of silicone inside Catch Assembly and work onto edge of glass at mark. Let silicone dry.

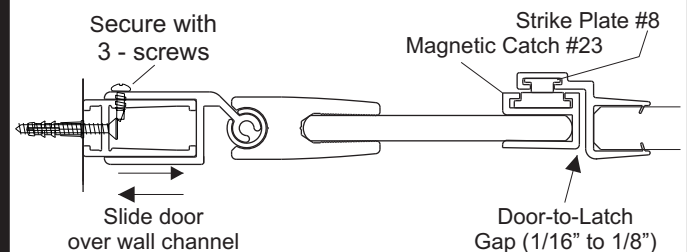


STEP 8 - Hang Door Assembly

- * Slide door assembly over the Wall Channel (Step 6).
- * Adjust door until top edge of the door is level and flush with top of 3/8" Glass Panel.
- * Also ensure door-to-latch gap is consistent from bottom to top.
- * When aligned, secure Door Assembly to Wall Channel with 3 - #22 screws using factory pilot holes in the Hinge Jamb.

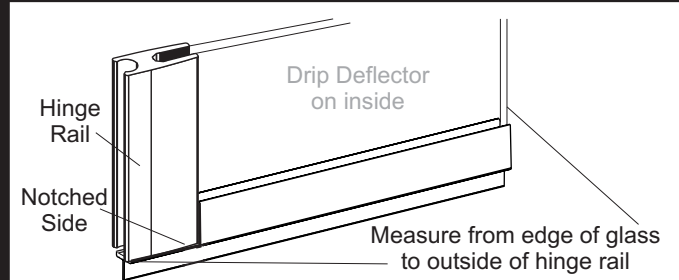
Finish Latch

- * Temporarily slide Strike Plate #8 into Clear-Poly Latch #6, align with Mag Catch #23.
- * Mark top and bottom of Strike Plate onto Latch.
- * Marks and cut Bulb Seal #7 to proper length.
- * From top of latch, re-insert bottom bulb seal, strike and top seal. Dabs of silicone may be required to secure Bulb Seals and Strike in place. Hold with Painters tape while drying.



STEP 8 - Bottom Sweep Fitting (#17)

- * Measure the Door Glass including Hinge Rail.
 - * Subtract 1/16" and cut the Bottom sweep to this length.
- IMPORTANT: The sweep is notch on both ends. You must leave the notch that goes under the Hinge Rail for your door. Cut off the end with the notch you don't need.
- * Trim the inside deflector 3/8" so it will clear the Latch Jamb when door is closed.



STEP 10 - Final Sealing / Siliconing the Unit (let dry for 24 hours before use)

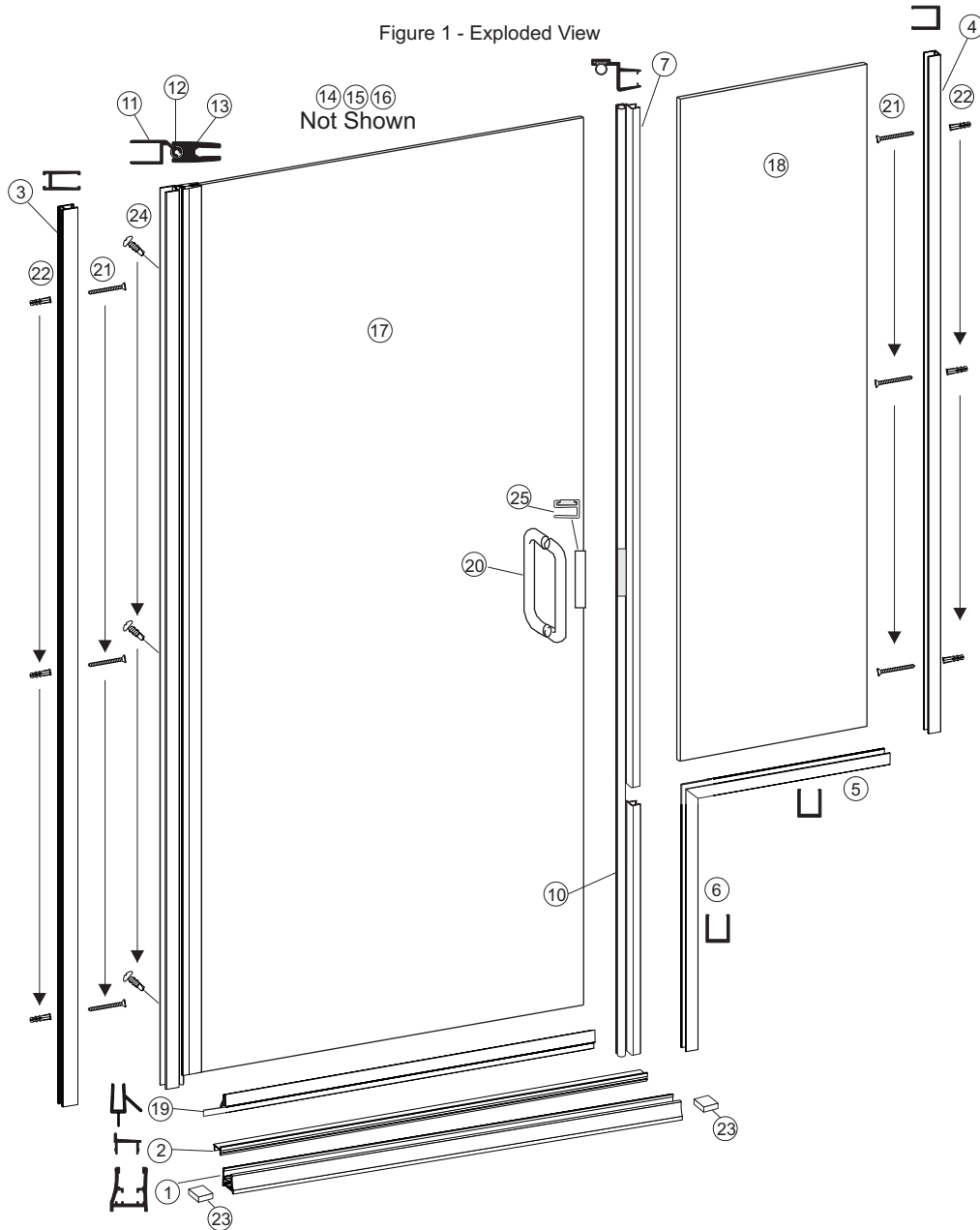
- * On the outside of the unit, run a bead of silicone down both walls and across the bottom where the metal meets the walls and base.
- * Apply a dab of silicone at the bottom of the latch jamb where it meets the Curb Filler.

Installation Instructions

Models: SESD180, DESD180 or MESD180 Buttress

1/4" Semi-Frameless Door and 3/8" In-Line Panel

Figure 1 - Exploded View



Parts List

- 1. EX.1022 - Stall Curb - 1
- 2. EX.1025 - Curb Filler - 1
- 3. EX.1268 - Hinge Wall Channel - 1
- 4. EX.1018 - Panel Wall Channel - 1
- 5. EX.1018 - Panel Sill Horizontal - 1
- 6. EX.1018 - Panel Sill Vertical - 1
- 7. - 9. VN.4075 - Clear PVC Latch Assy - 1
- 10. VN.4076 Buttress PVC Latch Jamb - 1
- 11. - 17. Door Assembly - 1
- 18. 3/8 Fixed Panel - 1
- 19. VN.4062 - PVC Drip Deflector - 1
- 20. HA.2701 - D-Pull Handle - 1

- 21. SP.2101 - #8 X 1-1/2 FHPHMS - 6
- 22. SP.2217 - 3/16 X 7/8 Wall Anchor - 6
- 23. SP.2221 - Foam Plug - 2
- 24. SP.2110 - #8 X 1/2 PPH TEK - 3
- 25. - 26. Magnetic Edge Cap Assy - 1
- 27. BP.3028 - Setting Block Kit - 1
- 28. SP.2204 - Centering Clip - 5
- 29. VN.4033 - VS-20 Dry Glaze Vinyl - 3

- 11. - 17. Door Assembly EX.1165 - Hinge Jamb - 1
- 12. VN.4034 - Hinge Sleeve - 1
- 13. EX.1466 - Hinge Rail - 1
- 14. SP.2200 - Hinge Pin - 2
- 15. SP.2181 - Flat Washer - 2
- 16. SP.2123 - #6 X 1/2 PPH MS - 2
- 17. 1/4 Door Glass - 1

Extra screws may be provided for your convenience

- 7. VN.4075 - Clear PVC Latch Assy - 1
- 8. VN.4002 - Bulb Seal - 1
- 9. SP.2194 - Strike Plate - 1

Boxed information is assembly detail.

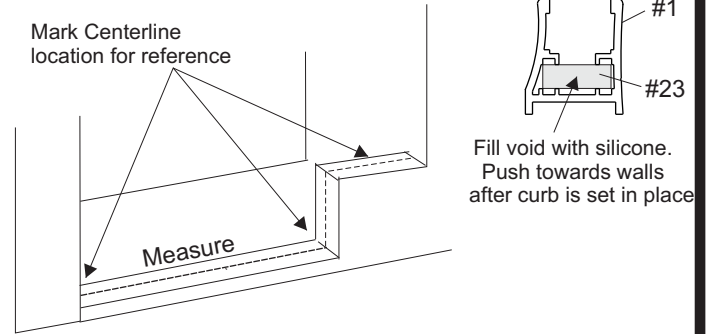
- 25. Magnetic Cap Assy EX.1619 - Catch - 1
- 26. SP.2191 - Magnet - 1

Installation Instructions

Models: SESD180, DESD180 or MESD Buttress
1/4" Semi-Frameless Door and 3/8" In-Line Panel

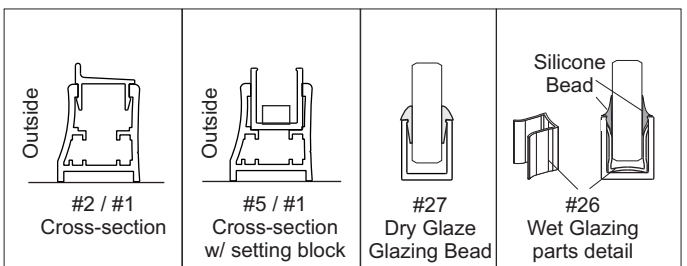
STEP 1 - Curb Installation (#1)

- * Measure the wall to face of buttress wall where you want the center of the unit to be installed.
- * Subtract 1/16" from this. Mark location for reference.
- * Cut the Stall Curb #1 to this length.
- * Insert foam plug into each end of the Stall Curb. and recess 1/8"
- * Fill 1/8" void with silicone.
- * Set the curb in place centered over where you marked.
- * Secure with blue tape.
- * Weep holes are to inside of shower.
- * Do not screw the curb to threshold.



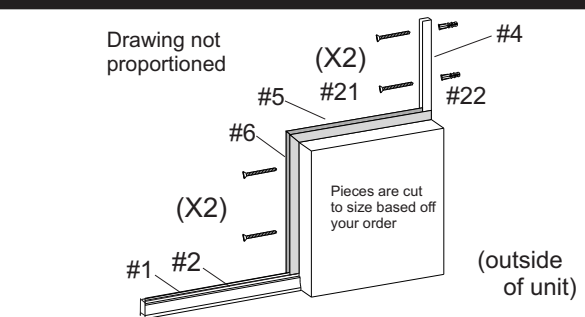
STEP 2 - Curb Filler (#2)

- * Measure from the face of the buttress wall to the Door side wall.
- * Cut the Curb Filler #2 to this length.
- * With the two forks pointing down and the vertical leg to the front of the unit, snap the Curb Filler into the Stall Curb. The slope of the Curb filler should be to the inside of the shower.



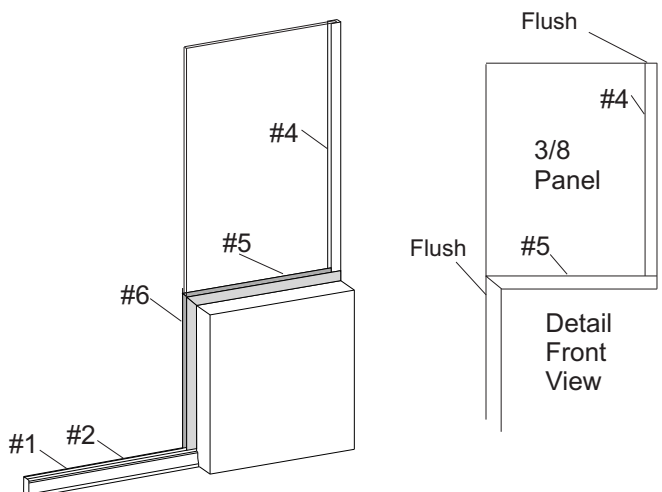
STEP 3 - Wall Channel (#4)

- * Set Vert. Wall Channel #6 on top of curb filler #2 on face of buttress and plumb channel with a level.
- * Mark the hole locations onto the wall.
- * Remove the channel and drill marked locations with 3/16" drill bit.
- * Insert 2 - Wall Anchors #22 (may have to razor heads off anchors flush to wall).
- * Re-insert channel and secure with 2 - #21 screws.
- * Follow with the Horizontal Channel and tape in place.
- * Set Wall Channel #4 on top of the horizontal channel, plumb with a level. Mark the hole locations onto the wall.
- * Drill with a 3/16 bit. Secure with 2 - #21 screws and 3 - #22 Wall Anchors.



STEP 4 - 3/8" Glass Panel (#18)

- * **Wet Glaze Option Only** - If using silicone to bond the glass to the wall channel and sill:
 - Install 2 - #28 Centering Clips evenly spaced into Panel Sill, offset from Setting Blocks
 - Insert 3 - #28 Centering Clips into the Wall channel.
- * **Dry Glaze Option** - If using push-in glazing vinyl to set the 3/8" glass panel, do not use Centering Clips #28
- * Insert two Setting Blocks #27 into Panel Sill #5.
- * Set the 3/8" Glass Panel into the Horiz. Panel Sill #5 and Wall Channel #4.
- * Flush the exposed edges of the 3/8 panel with the longest point of the Panel Sill and the top of the Wall Channel. Ensure vertical edge of 3/8" Glass Panel is plumb. Adjust as necessary with Setting Blocks.



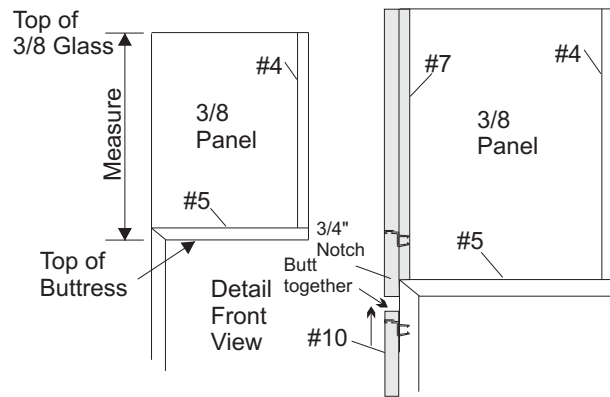
Wet Glaze Option - Temporarily, but securely fix Glass Panel into position with blue painter's tape.

Dry Glaze Option - Holding the glass panel in position, roll or press the Glazing Bead #29 into both sides of sill and wall channel using a roller or smooth block of wood. Check to ensure panel didn't move.

*** If using the Dry Seal, once the push in vinyl has been installed, it cannot be easily removed without being replaced.

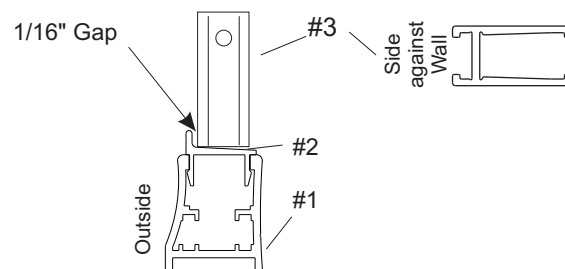
STEP 5 - Clear-Poly Latch Jamb (#7)

- * Measure from top of 3/8" Glass Panel #18 to top of the Buttress.
- * Take Clear-Poly Latch Jamb assembly, and remove the Bulb Seal and Strike Plate, set them aside for later step.
- * Cut Clear-Poly Latch #7 to above dimension using a 24 tooth hatch-saw. Power saw may damage latch.
- * Notch the bottom of the Clear-Poly Latch to fit over the end of the Panel Sill #5 (trim legs up 3/4").
- * Apply the Clear-Poly Latch Jamb on edge of Glass with latch inside unit ensuring it is flush with the top of the Fixed panel.
- * Measure from the bottom of the notched Poly Latch to top of the Curb Filler. Cut the Buttress Poly latch #10 to this length. Insert into Vertical channel and butt to bottom of upper poly latch.



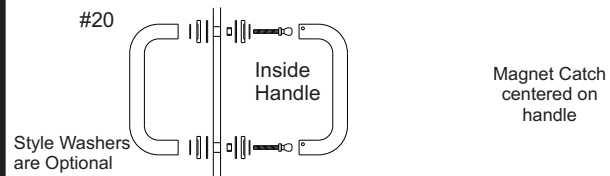
STEP 6 - Attach Door-Side Wall Channel (#3)

- * Set door-side Wall Channel #3 in place against the door side wall, on top of the Curb Filler.
- * Gap the bottom of the wall channel 1/16" from the vertical water dam of the Curb Filler (This will allow the room for the Door assembly to slide over.)
- * Plumb Wall Channel, mark the hole locations on wall and remove Wall Channel.
- * Drill holes with 3/16" bit, insert 3 - #22 Wall Anchors, re-install Wall channel and secure with 3 - #21 Screws.



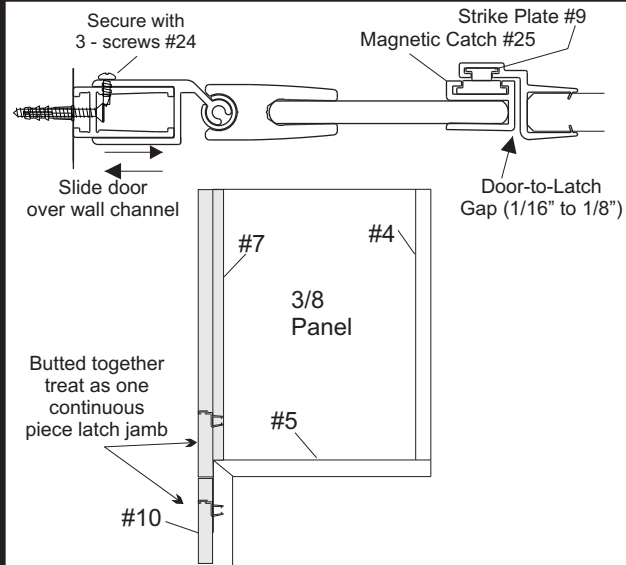
STEP 7 - Door Assembly / Pre-Hanging Prep

- * Attach Pull - Handle #20 to Door.
- * Dry run the position of Magnetic Catch Assembly, #25, #26 and mark location with marker on glass.
- * Apply small bead of silicone inside Catch Assembly and work onto edge of glass at mark. Let silicone dry.



STEP 8 - Hang Door Assembly

- * Slide door assembly over the Wall Channel. (Step 6)
- * Adjust door until top edge of the door is level and flush with top of 3/8" Glass Panel.
- * Also ensure door-to-latch gap is consistent from bottom to top.
- * When aligned, secure Door Assembly to Wall Channel with 3 - #24 screws using factory pilot holes in the Hinge Jamb.

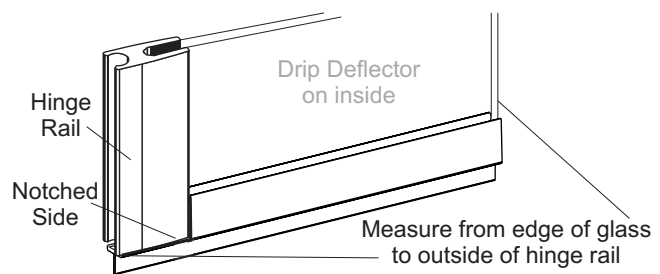


Finish Latch

- * Temporarily slide Strike Plate #9 into Clear-Poly Latch #7, align with Magnetic Catch #25.
- * Mark top and bottom of Strike Plate onto Latch.
- * Mark and cut Bulb Seal #8 to proper length.
- * From top of latch, re-insert bottom bulb seal, strike and top seal. Dabs of silicone may be required to secure Bulb Seals and Strike in place. Hold with Painters tape while drying.

STEP 8 - Bottom Sweep Fitting (#19)

- * Measure the Door Glass including Hinge Rail.
- * Subtract 1/16" and cut the Bottom sweep to this length.
- * IMPORTANT: The sweep is notch on both ends. You must leave the notch that goes under the Hinge Rail for your door. Cut off the end with the notch you don't need. Trim the inside deflector 3/8" so it will clear the Latch Jamb when door is closed.



STEP 10 - Final Sealing / Siliconing the Unit (let dry for 24 hours before use)

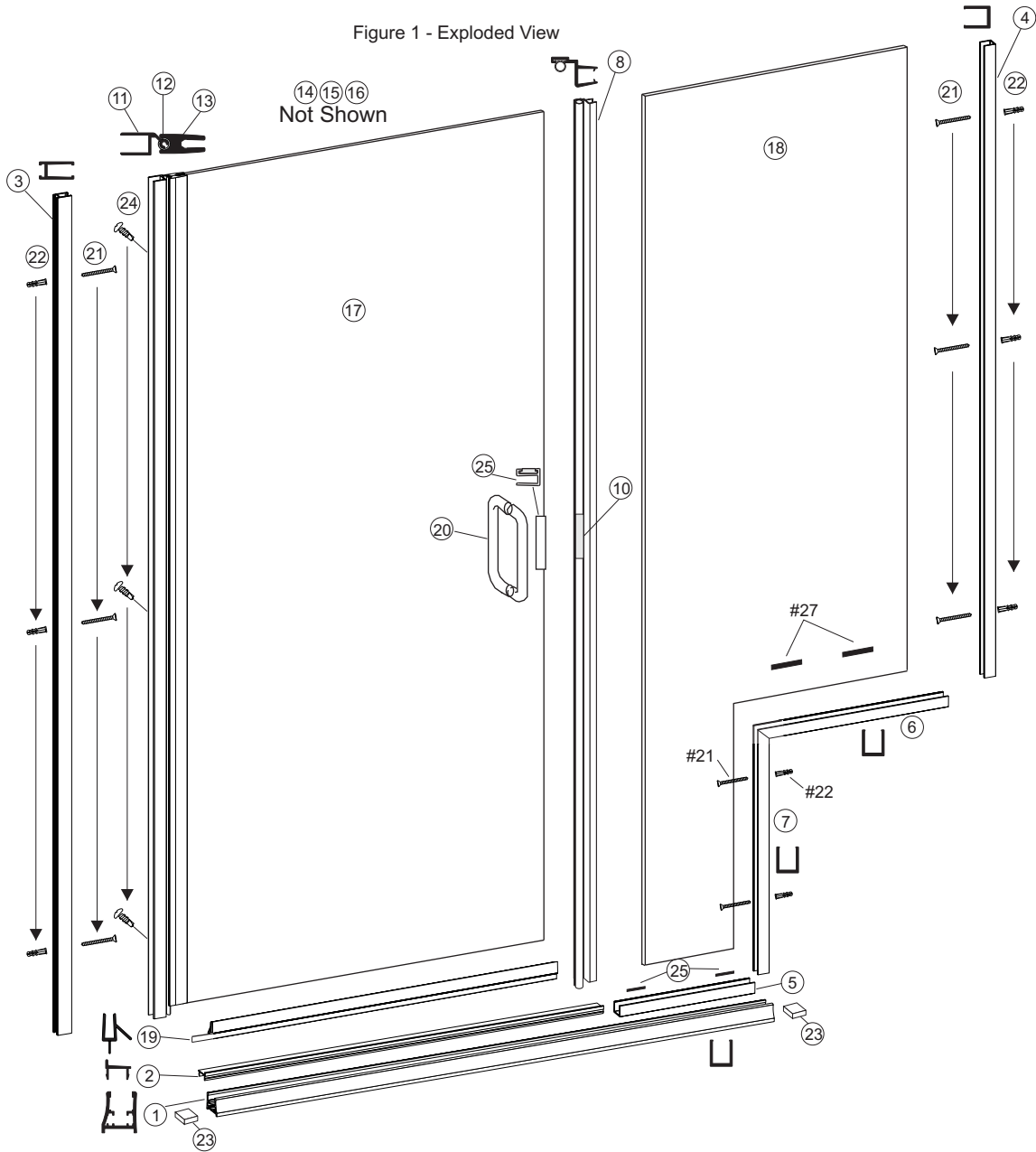
- * On the outside of the unit, run a bead of silicone down both walls and across the bottom where the metal meets the walls and base. Apply a dab of silicone at the bottom of the latch jamb where it meets the Curb Filler.

Installation Instructions

Models: **SESD180, DESD180 or MESD180 Notched Panel**

1/4" Semi-Frameless Door and 3/8" In-Line Panel

Figure 1 - Exploded View



Parts List

- 1. EX.1022 - Stall Curb - 1
- 2. EX.1025 - Curb Filler - 1
- 3. EX.1268 - Hinge Wall Channel - 1
- 4. EX.1018 - Panel Wall Channel - 1
- 5. EX.1018 - Panel Sill - 1
- 6. EX.1018 - Panel Sill Horizontal - 1
- 7. EX.1018 - Panel Sill Vertical - 1
- 8. - 10. VN.4075 - Clear PVC Latch Assy - 1
- 11. - 17. Door Assembly - 1
- 12. VN.4034 - Hinge Sleeve - 1
- 13. EX.1466 - Hinge Rail - 1
- 14. SP.2200 - Hinge Pin - 2
- 15. SP.2181 - Flat Washer - 2
- 16. SP.2123 - #6 X 1/2 PHPH MS - 2
- 17. 1/4 Door Glass - 1
- 19. VN.4062 - PVC Drip Deflector - 1
- 20. HA.2701 - D-Pull Handle - 1

- 21. SP.2101 - #8 X 1-1/2 FHPSMS - 6
- 22. SP.2217 - 3/16 X 7/8 Wall Anchor - 6
- 23. SP.2204 - Foam Plug - 2
- 24. SP.2110 - #8 X 1/2 PHPH TEK - 3
- 25. - 26. Magnetic Edge Cap Assy - 1
- 27. BP.3028 - Setting Block Kit - 1
- 28. SP.2204 - Centering Clip - 5
- 29. VN.4033 - VS-20 Dry Glaze Vinyl - 3

**Extra screws may be provided
for your convenience**

- 8. VN.4075 - Clear PVC Latch Assy - 1
- 9. VN.4002 - Bulb Seal - 1
- 10. SP.2194 - Strike Plate - 1

- 11. - 17. Door Assembly EX.1165 - Hinge Jamb - 1
- 12. VN.4034 - Hinge Sleeve - 1
- 13. EX.1466 - Hinge Rail - 1
- 14. SP.2200 - Hinge Pin - 2
- 15. SP.2181 - Flat Washer - 2
- 16. SP.2123 - #6 X 1/2 PHPH MS - 2
- 17. 1/4 Door Glass - 1

Boxed information is assembly detail.

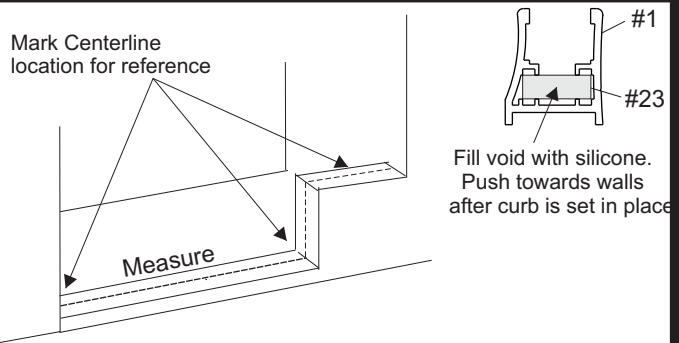
- 25. Magnetic Cap Assy EX.1619 - Catch - 1
- 26. SP.2191 - Magnet - 1

Installation Instructions

Models: SESD180, DESD180 or MESD180 Notched Panel
1/4" Semi-Frameless Door and 3/8" In-Line Panel

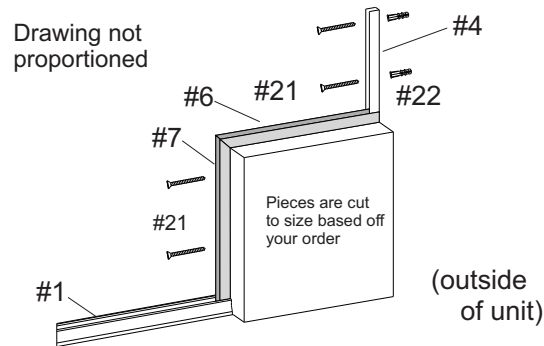
STEP 1 - Curb Installation (#1)

- * Measure the wall to face of buttress wall where you want the center of the unit to be installed.
- * Subtract 1/16" from this. Mark location for reference.
- * Cut the Stall Curb #1 to this length.
- * Insert foam plug into each end of the Stall Curb and recess 1/8"
- * Fill 1/8" void with silicone.
- * Set the curb in place centered over where you marked.
- * Secure with blue tape.
- * Weep holes are to inside of shower.
- * Do not screw the curb to threshold.



STEP 2 - Wall Channel (#4)

- * Insert Vert. Wall Channel into curb, on face of buttress.
- * Plumb channel with a level.
- * Mark the hole locations onto the wall.
- * Remove the channel and drill marked locations with 3/16" drill bit.
- * Insert 2 - Wall Anchors #22 (may have to razor heads off anchors flush to wall).
- * Re-insert channel and secure with 2 - #21 screws.
- * Follow with the Horizontal Channel and tape in place.
- * Set Wall Channel #4 on top of the horizontal channel, plumb with a level. Mark the hole locations onto the wall.
- * Drill with a 3/16 bit. Secure with 2 - #21 screws and 3 - #22 Wall Anchors.



STEP 3 - Panel Sill (#5) and 3/8" Fixed Panel (#18)

- * Measure the lower width of 3/8" Fixed Panel and subtract 3/8".
- * Cut the Panel Sill #5, to this length.
- * Set the Panel Sill #5 into the Stall Curb #1 and butt to the Wall Channel #7.
- * Insert two Setting Blocks #27 into both horizontal Panel Sills.

Wet Glaze Option Only - If using silicone to bond the glass to the wall channel and sill:

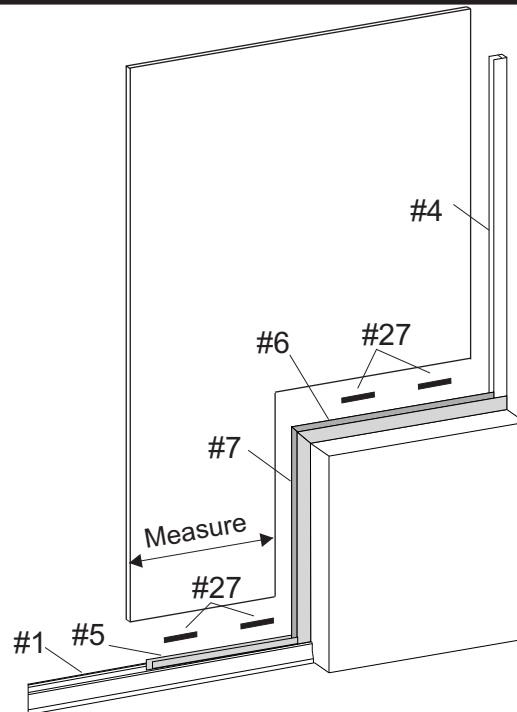
- Install 2 - #28 Centering Clips evenly spaced into Panel Sill, offset from Setting Blocks.
- Insert 3 - #28 Centering Clips into the Wall channel.

Dry Glaze Option - If using push-in glazing vinyl to set the 3/8" glass panel, do not use Centering Clips #28.

- * Set 3/8" Glass Panel into Panel Sill and Wall Channel.
- * Flush glass edge to exposed end of Panel Sill #5.
- * Adjust top of glass flush to top of Wall Channel, place additional setting blocks under glass if needed.
- * Ensure vertical edge of 3/8" Glass Panel is plumb.

Wet Glaze Option - Temporarily, but securely fix Glass Panel into position with blue painter's tape.

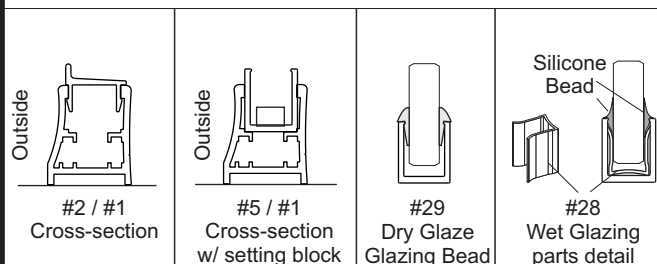
Dry Glaze Option - Holding the glass panel in position, roll or press the Glazing Bead into both sides of sill and wall channel using a roller or smooth block of wood. Check to ensure panel didn't move.



*** If using the Dry Seal, once the push in vinyl has been installed, it cannot be easily removed without being replaced.

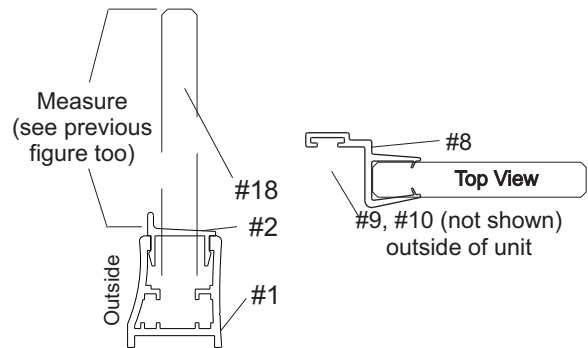
STEP 4 - Curb Filler (#2)

- * Measure from the edge of the 3/8" Glass Panel sill #5 to the Door side wall.
- * Cut the Curb Filler #2 to this length.
- * With the two forks pointing down and the vertical leg to the front of the unit, snap the Curb Filler into the Stall Curb.
- * The slope of the Curb filler should be to the inside of the shower.



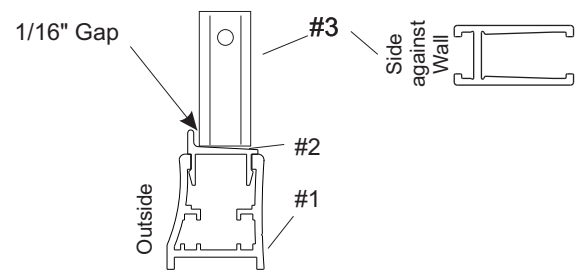
STEP 5 - Clear-Poly Latch Jamb (#8)

- * Measure from top of 3/8" Glass Panel #18 to top of the sloped surface of the Curb Filler #2.
- * Take Clear-Poly Latch Jamb assembly, and remove the Bulb Seal and Strike Plate, set aside for later step.
- * Cut Clear-Poly Latch #8 to above dimension using a 24 tooth hatch-saw. Power saw may damage latch. Recommended: notch the Clear-Poly Latch at bottom to clear the Panel Sill #5 (trim legs up 3/16").
- * Apply the Clear-Poly Latch Jamb on edge of Glass with latch inside unit ensuring it is flush with the top of the Fixed panel.



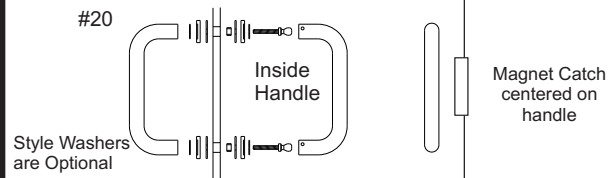
STEP 6 - Attach Door-Side Wall Channel (#3)

- * Set door-side Wall Channel #3 in place against the door side wall, on top of the Curb Filler.
- * Gap the bottom of the wall channel 1/16" from the vertical water dam of the Curb Filler (This will allow the room for the Door assembly to slide over.)
- * Plumb Wall Channel, mark the hole locations on wall and remove Wall Channel.
- * Drill holes with 3/16" bit, insert 3 - #22 Wall Anchors, re-install Wall channel and secure with 3 - #21 Screws.



STEP 7 - Door Assembly / Pre-Hanging Prep

- * Attach Pull - Handle #20 to Door.
- * Dry run the position of Magnetic Catch Assembly, #25, #26 and mark location with marker on glass.
- * Apply small bead of silicone inside Catch Assembly and work onto edge of glass at mark. Let silicone dry.

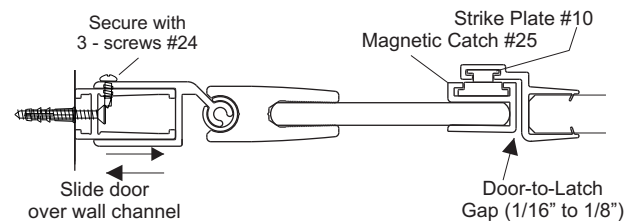


STEP 8 - Hang Door Assembly

- * Slide door assembly over the Wall Channel. (Step 6)
- * Adjust door until top edge of the door is level and flush with top of 3/8" Glass Panel.
- * Also ensure door-to-latch gap is consistent from bottom to top.
- * When aligned, secure Door Assembly to Wall Channel with 3 - #24 screws using factory pilot holes in the Hinge Jamb.

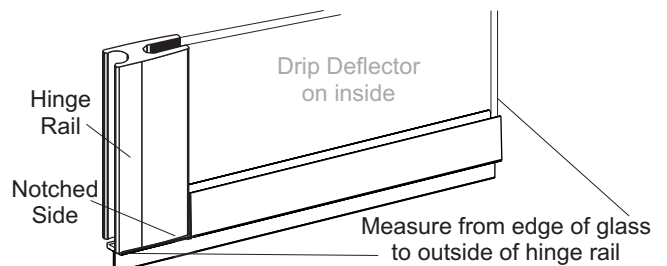
Finish Latch

- * Temporarily slide Strike Plate #10 into Clear-Poly Latch #8, align with Magnetic Catch #25.
- * Mark top and bottom of Strike Plate onto Latch.
- * Mark and cut Bulb Seal #8 to proper length.
- * From top of latch, re-insert bottom bulb seal, strike and top seal. Dabs of silicone may be required to secure Bulb Seals and Strike in place. Hold with Painters tape while drying.



STEP 8 - Bottom Sweep Fitting (#19)

- * Measure the Door Glass including Hinge Rail.
- * Subtract 1/16" and cut the Bottom sweep to this length.
- * IMPORTANT: The sweep is notch on both ends. You must leave the notch that goes under the Hinge Rail for your door. Cut off the end with the notch you don't need. Trim the inside deflector 3/8" so it will clear the Latch Jamb when door is closed.



STEP 10 - Final Sealing / Siliconing the Unit (let dry for 24 hours before use)

- * On the outside of the unit, run a bead of silicone down both walls and across the bottom where the metal meets the walls and base. Apply a dab of silicone at the bottom of the latch jamb where it meets the Curb Filler.

Page intentionally left blank