

Installation Instructions

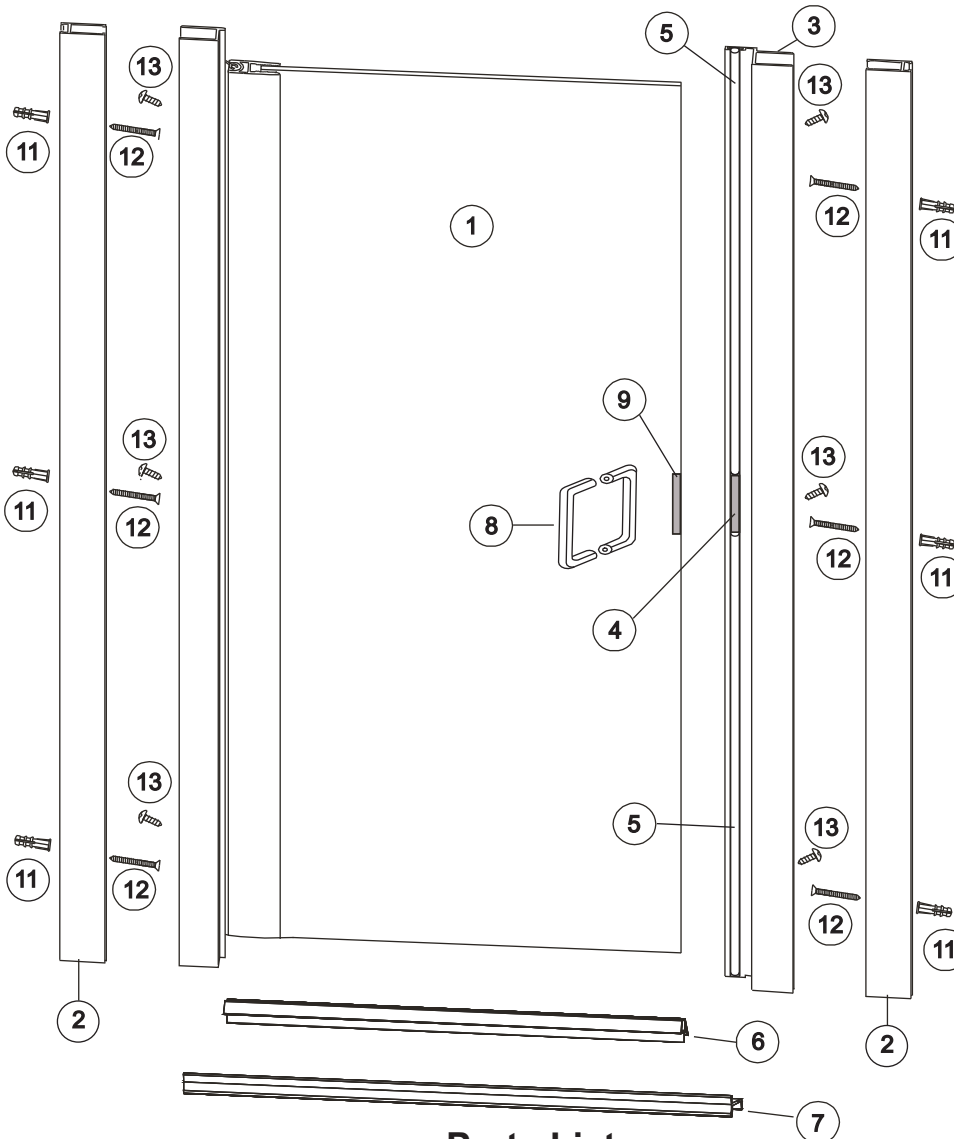
Models: C810, DSD, DESD, SSD or SESD

1/4" Semi-Frameless Door



P/N MM.6114 (4-15)

Scan this Bar Code for Parts Bag: BP.3701.SIL - Over Edge Magnetic Strike (1/4" Glass)



Parts List

Latch Pack	CAT#:	PART LIST	QTY.:
	①	DOOR ASSEMBLY	1
	②	1268 WALL CHANNEL	2
	③	1193 STRIKE JAMB	1
	④	2194 STEEL in STRIKE	1
	⑤	4002 BULB SEAL in STRIKE	2
	⑥	4062 DRIP RAIL	1
	⑦	1019 DAM STRIP	1

Parts Bag #3701

	PART LIST:	QTY.:
	⑧ 2701 D-PULL HANDLE ASSEMBLY	1
	⑨ 2195 MAGNET RAIL	1
	⑩ 2191 MAGNET	1
	⑪ 2217 3/16" WALL ANCHORS	6
	⑫ 2101 #8 X 1-1/2" FHPHMS	6
	⑬ 2110 #8 X 1/2" PH TEK SCREWS	6
11-13 Only Parts Bag #3027		

General Required Tools

- | | | |
|------------------------------------|-------------------------------------|----------------------|
| * Pencil or water soluble felt pen | * #2 Phillips Screw driver | * 4 ft. Level |
| * Hacksaw with 24 tooth blade | * 7/64" and 3/16" drill bits | * Rubber mallet |
| * Metal file (smooth sharp edges) | * Caulking gun | * Razor knife |
| * Tape measure | * Clear 100% Silicone (recommended) | * Blue painters tape |
| * Drill, electric or battery | | |

SAFETY WARNINGS:



HEAVY



CAUTION



SHARP



GLASS FRAGILE

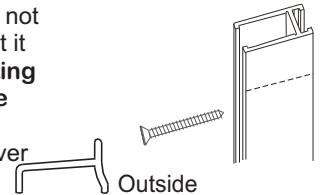
CAUTION - READ THOROUGHLY BEFORE INSTALLATION

Follow instructions: Instructions must be read and followed carefully to reduce the risk of serious injury during and after installation. Any deviation from these instructions can create safety hazards.
Tempered Glass: Agalite enclosures glass panels are safety tempered to conform to general building codes. The intent of tempering is to reduce the risk of injury. Be careful handling tempered glass. Pay special attention to protect all edges of the glass from contact with hard surfaces.

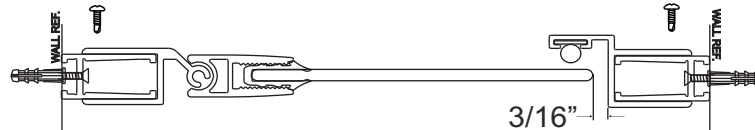
General Notes:

- **Exposed ends of aluminum** and other hard components can be rough, sharp or jagged due to the processes of cutting, drilling, notching, etc. Sharp ends must be deburred, smoothed or rounded by the installer before installation. Failure to do so could result in serious injury to installer and user of the enclosure.
- **Sliding and swinging glass doors** hitting any unprotected bathroom obstruction or metal or glass component of the shower door itself, may indicate improper installation and could lead to glass breakage or serious injury. The installer must correct the deficiencies before allowing the door to be used.
- **Towel Bars, handles and other accessories** are in no way considered to be grab bars or other bracing or fall prevention mechanisms. The intent of these accessories is to facilitate proper operations and esthetics of the unit.

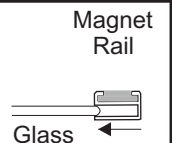
- 1 Mark the centerline of the opening lightly with a pencil. Evaluate your threshold. If an inward slope is not present on your threshold use the dam strip. If using the dam strip, measure from wall to wall and cut it to 1/16" less than the opening. Install the dam strip with the vertical lip to the outside. **Before mounting the wall jambs for a door only installation, cut the wall channels down to the same size as the hinge and strike.** Position the wall jambs down onto the dam strip or threshold, over the centerline, then plumb and mark hole locations. Drill 3/16" holes and install the anchors. Place wall channels over the anchors and secure with #8x1-1/2" screws. Check for plumb and adjust if necessary.



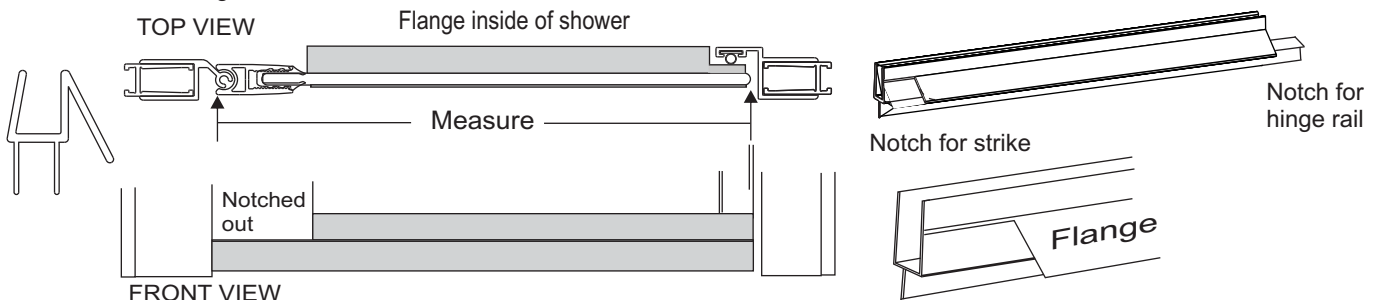
- 2 Determine which side you would prefer the door to hinge from, usually the side with the shower head. Place the strike jamb over the wall channel opposite the side where the door will hinge. Position the hinge jamb over the remaining wall channel and secure the at the top with a clamp or #8x1/2" tek screw. Plumb with a level, and adjust the hinge and strike jambs to leave a 3/16" reveal between the edge of the door and the base of the strike jamb from top to bottom. Once the door is plumb and level, secure the middle and bottom of the hinge jamb with a #8x1/2" tek screw. Attach the handle through the holes in the glass using the provided shims and bushings.



- 3 Before installing the magnet rail, clean the door glass. Locate the steel in the strike; the magnet rail will line up with the steel. Mark on the door glass where the magnet rail will line up with the steel. Place a small bead of silicone into the magnet rail. Place the rail on the edge of the glass with the magnet toward the inside and push the magnet rail carefully onto the glass until it is seated. Clean off any silicone that oozes out of the rail. Secure the magnet rail with masking tape or blue painters tape for 24 hours until the silicone is cured. Adjust the strike to work correctly with the magnet in the rail and to be plumb. Secure the top, middle and bottom of the strike with #8x1/2" tek screws.



- 4 Measure the bottom of the door from the edge of the glass to the hinge rail. Cut the drip rail to that size so that the notch is on the side where the hinge rail is and the flange is on the inside of the shower. Notch the flange of the drip rail so that it does not interfere with the strike on the inside of the door. The flange may be scored with a razor knife to make it easier to snap off. The upper portion of the drip rail should be notched so that the flexible sweep extends under the hinge rail. When you are satisfied with the fit of the drip rail install it onto the bottom of the door pushing up far enough so that the sweep drags across the dam strip. When the rest of the installation is complete, remove the drip rail and place a few drops of silicone into the channel. Replace the drip rail onto the bottom of the door glass.



- 5 We recommend filing any sharp corners that may cause injuries, then clean and run a continuous bead of silicone sealant outside of the threshold and up the wall jambs.

For installation and technical support please reference the shipping document, the box that the product was shipped in or call the retail location that you purchased the product from.