

Installation Instructions

Models: FSD / BSD

3/16" Framed Swing Door



P/N MM.5050 (9-18)

This installation sheet is a required component latch pack.

Thank you for purchasing this outstanding product!
This booklet will help you install your units safely and successfully.

IMPORTANT: Warnings and General Shower Door Information



HEAVY



CAUTION

**SAFETY
WARNINGS:**



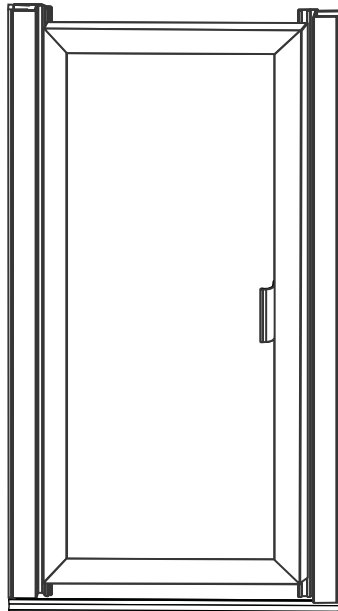
SHARP



GLASS FRAGILE

- These instructions must be followed carefully to reduce the risk of serious injury. Any deviation from these instructions can create a serious safety hazard.
- Glass panels are tempered to conform with general building and safety codes. Be very careful handling tempered glass. Especially protect all edges of the glass from contact with hard surfaces.
- All exposed aluminum edges should be deburred to avoid serious injury.

Special Note: Drilling holes and anchoring horizontal sills and curbs into thresholds and tub decks is discouraged because it can cause leaking and water damage below the unit. Use masking tape or double-sided tape to hold components down during installation and then apply silicone for structural support and water protection. Exceptions to this policy are necessary when components are structurally required to be anchored.



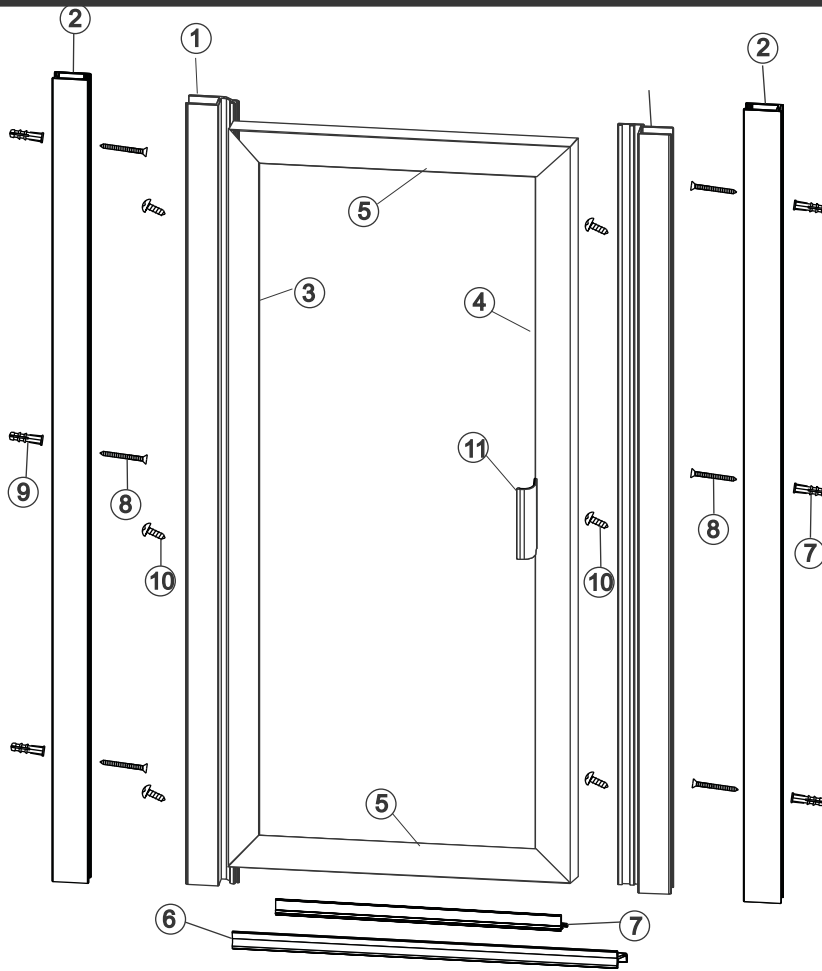
FSD / BSD
Framed Swing Door

General Required Tools

- * Pencil or water soluble felt pen
- * Hacksaw with 24 tooth blade
- * Metal file (smooth sharp edges)
- * Tape measure
- * Drill, electric or battery
- * #2 Phillips Screw driver
- * 3/16" Carbide drill bit for tile
- * 1/4" Carbide drill bit for tile
- * Caulking gun
- * Clear 100% Silicone (recommended)
- * 4 ft. Level
- * Rubber mallet
- * Razor knife
- * Blue painters tape

Installation Instructions
Models: FSD / BSD
 3/16" Framed Swing Door

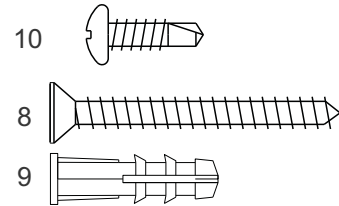
Illustration # 1



Parts List

Item	Part #	Description	QTY
1	1165	Hinge Jamb	1
2	1268	Jamb Fillers	2
3	1190	Hinge Rail	1
4	1191	Latch Rail	1
5	1192	Top / Bottom Rail	2
6	1019	Low Curb Dam Strip	1

Item	Part #	Description	QTY
7	VN.4197	Plastic Drip Deflector	1
8	BP.3027	#8 X 1 1/2 FHPHMS	6
9	BP.3027	Wall Anchor	6
10	BP.3027	#8 X 1/2 PHPHTEK	6
11		Handle Kit	1
12			

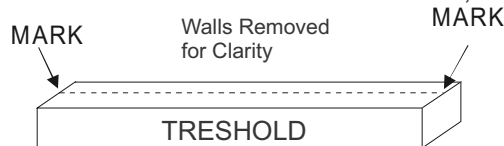


Extra screws may be provided for your convenience

Installation

STEP 1 CENTERLINE:

Locate as accurately as possible the centerline of the shower threshold and mark it with a water soluble marker. In most installations it would be the center of the threshold. Measure the wall to wall distance, 1/2" above the tub rim to allow for any radius or obstructions in the corners.



STEP 2 DAM STRIP:

Evaluate your threshold, if an inward slope is not present on your threshold use the options Low Curb Dam Strip, (Item #6) that is included with this product. If you are using the dam strip, measure from wall to wall at the base, and cut the dam strip 1/16" less than the opening. The door will be installed on top of the dam strip. If not using the dam strip start the installation on top of the threshold. If this is a door only installation cut the wall jambs down 1-1/16", to the same size as the hinge and strike jamb. Position the hinge side wall jamb on the dam strip or threshold over the centerline, plumb and mark hole locations. Drill 3/16" holes for the plastic anchors. Install the anchors, and place some sealant into the anchors, place wall jamb over the anchors and secure the wall jamb with #8X1-1/2" flathead screws. For the strike side wall jamb, set in place and plumb, then mark only the bottom mounting hole. Insert and anchor, and secure the bottom of the wall jamb tight enough to hold, but loose enough to adjust.

STEP 3 Strike Jamb:

Slide the strike jamb in place over the wall channel with only one screw in it, do not secure. Slide the hinge jamb over the fixed wall jamb. Adjust the door assembly and strike jamb so that the magnets work together and so that they are adjusted the same off each wall jamb. Use a level on the top of the door to ensure that it is level. Then drill through the top hole already in the hinge jamb into the wall jamb with a 1/8" drill bit. Secure the door with #8 X 1/2 pan head TEK screw, then drill the middle and bottom of the hinge jamb and secure in the same manner.

STEP 4

ADJUSTING STRIKE JAMB:

Re-adjust the strike jamb vertically by closing the door and moving the strike jamb over the wall jamb front to back on the wall, pivoting on the bottom screw until the strike jamb hits the door equally top to bottom making good magnetic contact. Mark this position, remove the Strike jamb, re-align the strike jamb to the mark, then mark the remaining two holes. Drill the wall, insert wall anchors, fill with silicone and secure with 2 - #8 X 1 1/2 FH screws. Secure the strike jamb with 3 - #8 X 1/2 Pan Head TEK screws

STEP 5

DRIP ASSEMBLY:

Measure the width of the door at the bottom and add 1/2" to this dimension. You will need a notch at the hinge jamb side, so don't cut it off. Cut to length off the strike jamb side. you need to radius both ends of the finished bottom rail. use Scissors, cutter, or file. Peel off the backing and from the inside of the shower, with the door closed, apply the bottom rail at the bottom of the door. the sweep should be 1/16" above the 1019 dam strip if used, just barely touching the threshold with no dam strip.

STEP 6

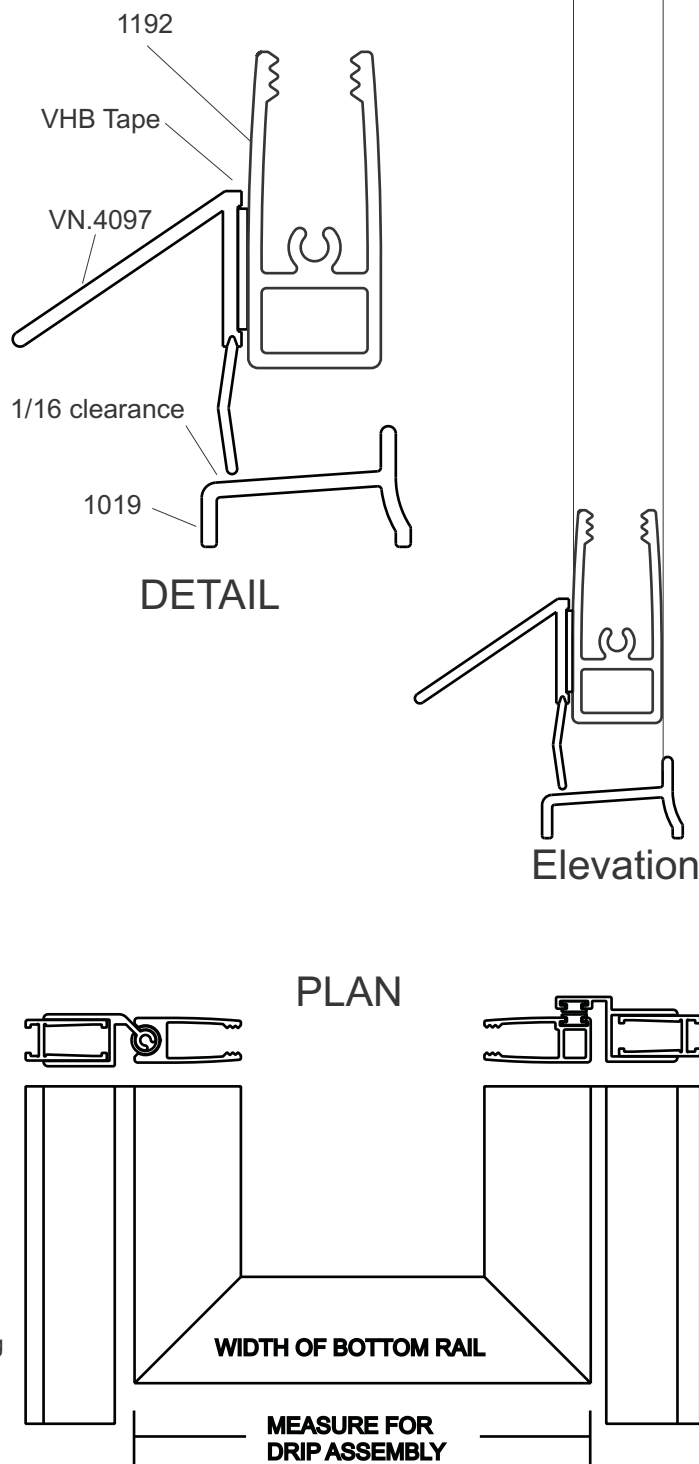
SILICONE:

We recommend filing and sharp corners that may cause injuries, then clean and run a continuous bead of silicone sealant outside across the bottom if required and up both walls, sealing metal to tile.

These installation instructions must be followed to ensure proper operation of the door and to reduce the risk of serious injury. Any deviation from these instructions can result in a serious safety hazard. All exposed ends of aluminum that are rough, sharp or jagged due to the metal being cut, drilled or damaged should deburred, smoothed or rounded by the installer before installation. Failure to do so could result in serious injury to the user of the enclosure.

Any part of the swinging glass door hitting any unprotected bathroom obstruction or metal or glass component of the shower door itself, may indicate improper installation and could lead to serious injury. Installer must correct the deficiencies before allowing the door to be used.

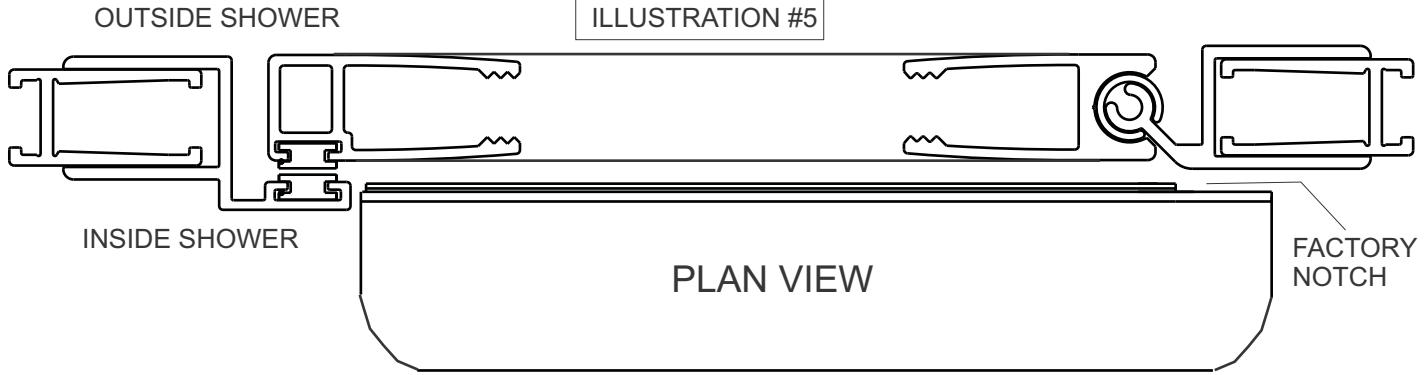
ILLUSTRATION #3



Installation Instructions

Models: FSD / BSD
3/16" Framed Swing Door

ILLUSTRATION #5



SAFETY WARNING:

For installation and technical support, please reference the shipping document, the box that the product was shipped in, or call the retail location where you Purchased the product.

ILLUSTRATION #6

FRAMED GLASS CHART

Overall Height (OAH) for Framed Swing Doors:

Standard Height = 67"
Special Height = 63-1/2"

Extra Height = 71"
Extra Height = 75-1/2"

Calculating Component sizes

- #1165 Hinge Jamb = OAH minus 3/8"
- #1193 Latch Jamb = OAH minus 3/8"
- #1268 Jamb Filler = OAH plus 3/4"
- #1190 Hinge Rail = OAH minus 1-3/8"
- #1191 Latch Rail = OAH minus 1-3/8"
- #1192 Top/Bott Rail = net opening minus 2-5/8"
- Glass Panel Width = overall width minus 4-5/8"
- Glass Panel height = Overall height minus 3-1/2"

Model Size	Fits Opening	Glass Size (Standard)	Jamb Pack
19	19" to 20"	14-3/8" x 63-1/2"	66-5/8"
20	20" to 21"	15-3/8" x 63-1/2"	66-5/8"
21	21" to 22"	16-3/8" x 63-1/2"	66-5/8"
22	22" to 23"	17-3/8" x 63-1/2"	66-5/8"
23	23" to 24"	18-3/8" x 63-1/2"	66-5/8"
24	24" to 25"	19-3/8" x 63-1/2"	66-5/8"
25	25" to 26"	20-3/8" x 63-1/2"	66-5/8"
26	26" to 27"	21-3/8" x 63-1/2"	66-5/8"
27	27" to 28"	22-3/8" x 63-1/2"	66-5/8"
28	28" to 29"	23-3/8" x 63-1/2"	66-5/8"
29	29" to 30"	24-3/8" x 63-1/2"	66-5/8"
30	30" to 31"	27-3/8" x 63-1/2"	66-5/8"
31	31" to 32"	28-3/8" x 63-1/2"	66-5/8"
32	32" to 33"	29-3/8" x 63-1/2"	66-5/8"
33	33" to 34"	30-3/8" x 63-1/2"	66-5/8"
34	34" to 35"	31-3/8" x 63-1/2"	66-5/8"
35	35" to 36"	32-3/8" x 63-1/2"	66-5/8"

* Standard glass thickness is 3/16"

** For Standard Special Height units, deduct 2" from the above tub glass heights and 5" from the above shower glass heights. Use these same deductions from the above for the Jamb Pack lengths for Standard Special Height units.