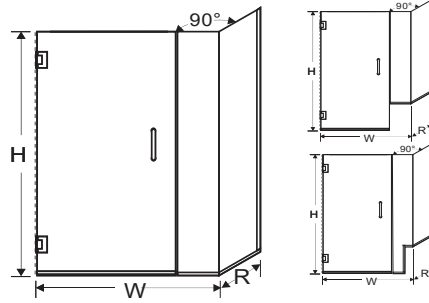


**Features**

- 3/8" Frameless Swing Door and panels with Self-Centering Hinges
- Brass & Stainless Steel Hardware
- Choice of three 8" Pulls
- Clear-Poly Sweep w/ Deflector
- Dry or wet glazed panel
- Backed by an industry-leading Lifetime Warranty



**ESD290**

**Includes**

- Choice of 3 handle options (1,5)
- Wet or Dry panel glazing system:
  - Channel EX.1018
  - Wet: Panel centering clips
  - Dry: Snap glazing vinyl



**Height (H) Range:**

65 1/2" - 90"  
Standard and custom heights available.

**Width(W) + Return(R) Range**

Total W+R Range: 32 1/2" - 132\*\*  
W: 27 1/2" - 87 1/2+"  
R: 5" - 60+"

Standard and custom widths available.  
\*Wider panels available, call for inquiries on W+R dimensions extending more than 132".

**NOTE:**  
Number of hinges depends on dimensions of the door.

**GLASS OPTIONS (3)**

1/2" or 3/8"	3/8" Only	
Clear	Barock	Ima
Ultra Clear	Bubbles	Esto
Bronze Tint	Gluechip	Aqui
Gray Tint	Rain	Etre
	Satin Etch	

**EASY CLEAN GLASS (4)**

EasyClean<sup>10</sup> (9) ShowerGuard (10)

**FINISH OPTIONS**

Standard	
Chrome (6)	Gold (6)
Oil Rubbed Bronze (6)	Satin Silver (6)
Brushed Nickel (7)	Matte Black (8)

Special order finishes are available.

(1,2) See below section 4.A., (3) See below section 1.A., (4,9,10) See below section 4.C., (5,6,7,8) See below section 4.B.

**Tech Notes**

- Door can hinge off either wall or off of panel. Specify when ordering.
- Unobstructed opening is:  
door size - 1 9/16" (for 3/8" glass)  
door size - 1 11/16" (for 1/2" glass)

**1. Quality Assurance**

A. Glass door(s) and sidelite(s) use tempered safety glass (see "Features" section for glass thicknesses) and are provided in compliance with ANSI Z.97.1 - 2004, CPSC 16 CFR 1201 Cat. 1 & 2, and ASTM C 1048.

**2. Proper Use and Safety**

- A. For best results, refrain from drilling holes in horizontal surfaces to secure curbs and sills.
- B. Towel bars, handles and other accessories are in no way considered to be grab bars or other bracing mechanisms.
- C. Exposed ends of aluminum and other hard components can be rough, sharp or jagged due to the process of cutting, drilling, notching, etc. Sharp ends must be deburred, smoothed or rounded by the installer before installation.

**3. Warranty**

A. Backed by an industry-leading Lifetime Warranty for glass, aluminum and general hardware and 5 Year Warranty on heavy glass hardware (find specific warranty information online at www.agalite.com).

**4. Product / Installation**

- A. Hardware components and framework are made from 6463 T5 Aluminum Alloy (2), 304 Stainless Steel (1), or Brass (1).
- B. Metal finish processes include plating (5), Brite Dip anodizing (AAMA 611: AA-M21C31A21 Brite Silver, AA-M21C31A23 Brite Gold, AA-M35C11A23 Brushed Nickel, AA-M10C22A31 Satin Silver, AA-M10C22A23 Satin Gold, AA-M10C22A34 Oil Rubbed Bronze) (6), mechanical brushing (7) or powder coating (AAMA 2603) (8).
- C. Easy Clean glass refers to a 10 year coating (TÜV Rheinland Certified) (9) and a permanent glass type (10) that protects the glass against dirt and grime, reducing the effort required to maintain its cleanliness.
- D. Installer shall comply with manufacturer's installation instructions and approved shop drawings.
- E. Prior to installation, verify that surfaces are clean and free of foreign matter that could compromise the watertight bond of unit to surface.