

Installation Instruction

Models: HSD (1/2-in), ESD (3/8-in) or QSD (1/4-in)

Models: HLSD (1/2-in), ELSD (3/8-in) or QLSD (1/4-in)

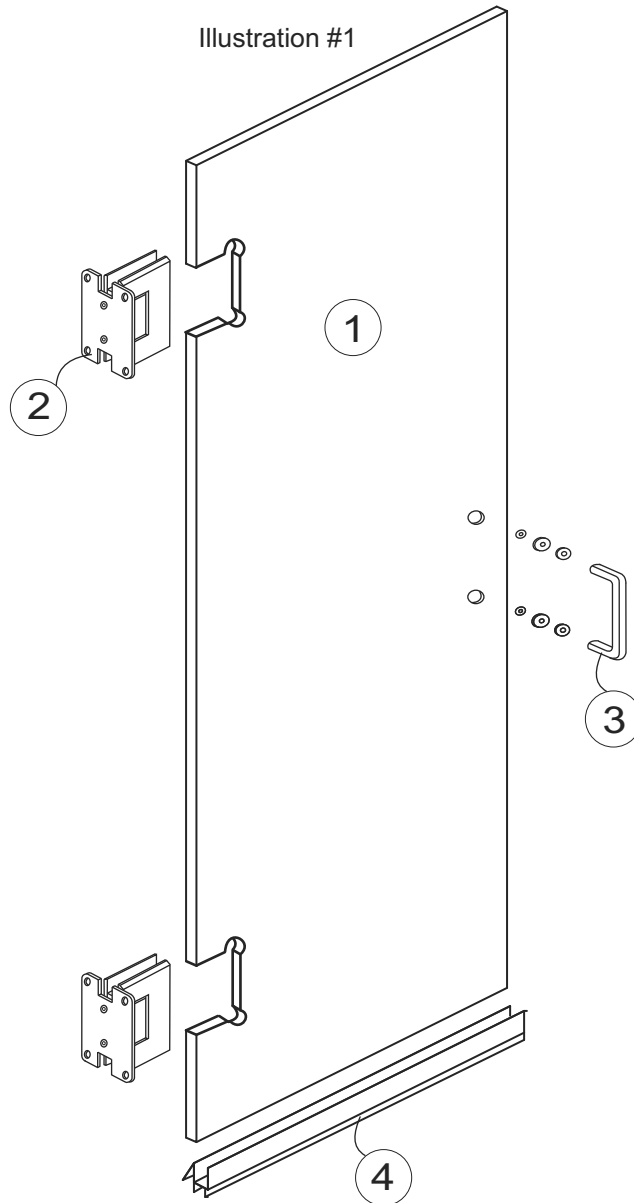
* Please Note: Before beginning the installation, read all of the instructions and check that the parts contained in the carton and hardware package match those parts listed below. If you should find any discrepancies please contact Holcam Sales at 1-800-843-3332

NOTICE: This is tempered glass, always protect the edges of the glass. Do not set raw edge of glass directly on floor or hard surface. Always set glass on shims or padding to protect the edges.

WARNING

To avoid damaging the finish of this Deluxe Shower Enclosure, use only mild cleaners. Always read the label of the cleaner to be used. Do not use harsh chemicals or abrasive detergents.

Illustration #1





TOOLS REQUIRED

1. Caulking gun & tube of pure or construction grade silicone
2. Phillips tip screwdriver
3. Wedge shaped shims (Wood or Vinyl)
4. Level
5. Electric drill with 9/64" & 1/4" drill bits (Carbide for tile)
6. Painters masking tape
7. Side Cutters or Hacksaw
8. Square (Framing preferred)

PARTS LIST

ITEM	NAME
1.	Glass Door
2.	Eurolite Hinge
3.	6" Handle to Handle
4.	Vinyl Sweep

ASSEMBLY HARDWARE

- | | |
|---|--|
|  | 5. #10 X 2" Flat Head Screws |
|  | 6. Plastic Anchors (For 1/4" glass only) |

1-800-843-3332