

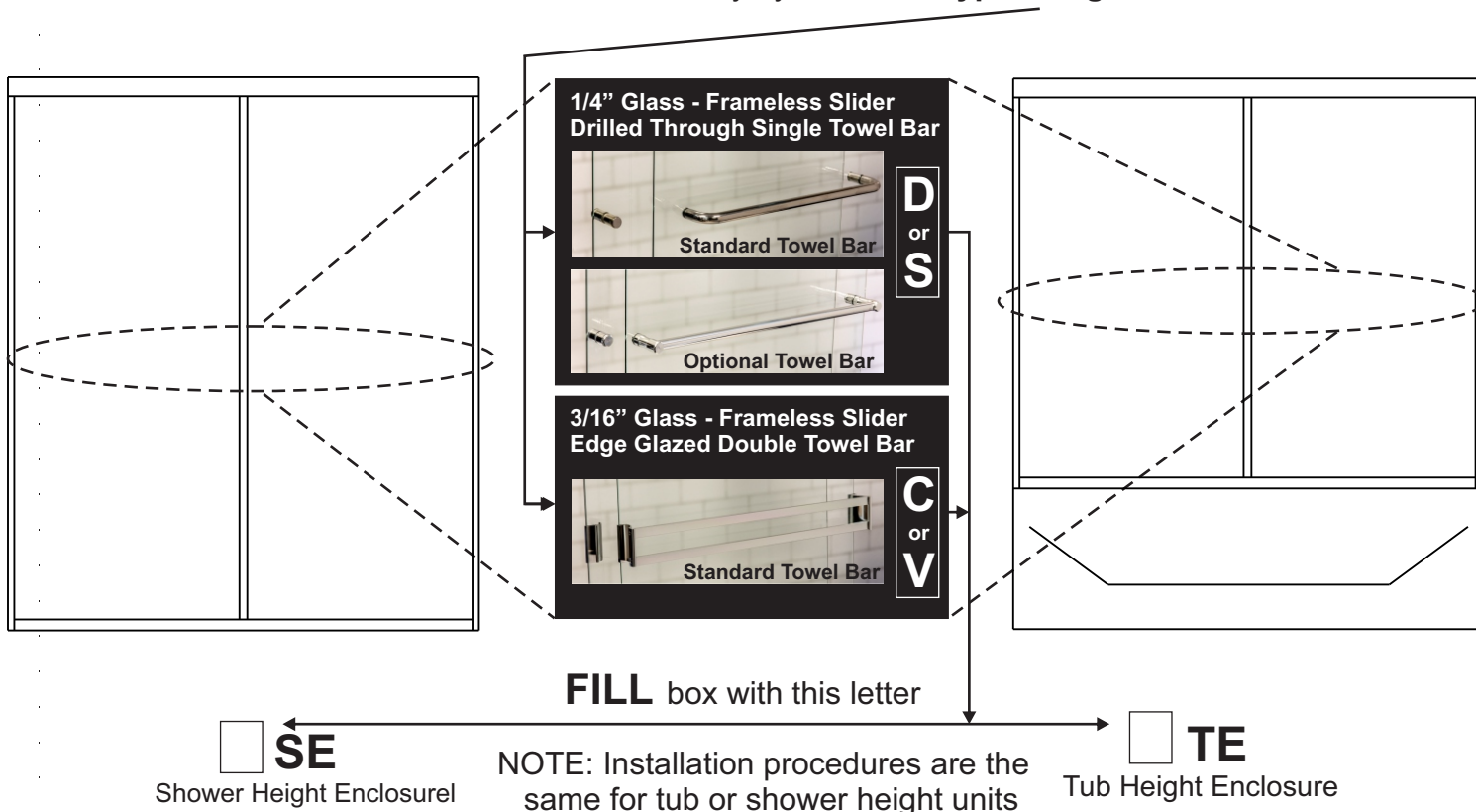
Installation Instructions for

1/4" Door Models: **SSE/STE or DSE/DTE**

3/16" Door Models: **VSE/VSE or CSE/CTE**

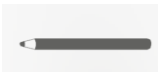
FIRST STEPS - Identify the model number of your unit.

- Look on the white shipping label on the outer cardboard box.
- **Model number** on label should correspond to one listed above.
Or look below and identify by towel bar type and glass thickness

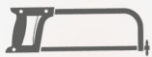


Required Tools

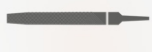
* Pencil or water soluble felt pen



* Hacksaw with 24 tooth blade



* Metal file (smooth sharp edges)



* Tape measure



* Clear 100% Silicone (recommended)



* #2 Phillips Screw driver



* 1/8", 3/16" drill bit carbide for tile
#32 Wire Gauge drill bit



* Caulking gun



* Drill, electric or battery



* 4 ft. Level



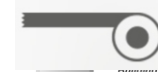
* Rubber mallet



* Razor knife



* Blue painters tape



READ ENTIRE MANUAL BEFORE INSTALLATION AND OPERATION

Warnings and General Shower Door Information



**SAFETY
WARNINGS:**



READ AND FOLLOW INSTRUCTIONS: Failure to follow all instructions, warnings and guidelines may result in serious injury or death, may cause water damage, and will void the terms of your warranty.

General Safety and Installation Policies

Before Installation:

- **Proper Size:** Ensure the enclosure is the proper size for your opening prior to beginning installation.
- **Safe Installation:** Some units may require two or more people to safely install the enclosure properly.
- **Packaging:** It is recommended to retain all packaging and other materials until installation is complete in the event of a return.
- **Inspect:** Installer should inventory all parts or components and inspect them for damage prior to beginning installation.
- **Sharp Edges:** Exposed ends of aluminum and other hard components can be rough, sharp or jagged due to the processes of cutting, drilling, notching, etc. Sharp ends must be deburred, smoothed or rounded by the installer before installation.
- **Safety equipment and tools:** Have all necessary safety equipment (glasses and gloves) and proper tools for the installation. The installer is responsible for determining the correct drill bit(s) for the installation.
- **New Tile:** We recommend that you allow at least 2 days (48 hours) for the tile cement and grout to dry before installing enclosure.

During Installation



- **Proper backing:** Shower doors are heavy. Therefore, glazing channels, fillers, hinges and headers blocks (structural components) should be secured to studs or solid backing beneath the tile or decorative substrate. Fasteners should screw directly into the backing. Wall anchors are provided primarily to separate screws from tile to reduce the possibility of cracking.

- **Tempered glass:** Glass can break. Shower door panels are tempered to ASTM C1048 specifications as required by building codes. Glass is tempered to greatly increase its strength and to make it fragment into smaller and lighter pieces reducing the possibility of injury in the event that the glass does break. Tempered glass will break and may cause bodily injury if you attempt to cut, drill, mill or alter it in any way. Care must be taken when handling tempered glass. Pay special attention to protect all edges of the glass from contact with hard surfaces.
- **Horizontal surfaces and installation holes:** Avoid drilling into the horizontal surfaces of tubs or showers unless it is required for the structural integrity of the unit. If you drill into horizontal surfaces, always generously caulk the holes, anchors, screws and on top of the screw head. If this is not done, or is done improperly, water damage can occur under the tile or substrate.
- **Weep holes in horizontal channels:** Drilling 3/8" weep holes on the inside of horizontal channels is recommended to allow any moisture build-up inside a channel to exit the channel. Due to varying installation conditions and installer's/owner's personal preference, however, we do not drill them in the factory.
- **Sliding and swinging glass doors:** A door may be improperly installed if it hits or scrapes against bathroom obstructions (toilets or cabinets) or any metal or glass components of the shower door itself. This could lead to glass breakage or serious injury. The installer must correct the deficiencies before allowing the door to be used.
- **Surface conditions:** Most shower door designs allow for out-of-square or unlevel installation. Generally, any outage more than 3/8" that was not identified during the ordering process is outside of these allowances and can result in an improper installation.

Caulking/Siliconing the Unit:

- Always clean all contact surfaces before caulking and use a high grade 100% silicone for best results.
- After installation, at a minimum, caulk the entire outside perimeter of the unit where the unit touches walls, sills, and step-ups, etc. Also caulk any vertical joints between metal components where water build-up inside of the channels could leak out.

After Installation:

- **Curing times:** Adhere to manufacturers' recommended curing times for VHB tapes, silicones and any other adhesives, coatings or chemicals used during installation. Unless otherwise stated, it is recommended to wait 72 hours before using the enclosure.
- **Normal wear and tear:** Although these enclosures are designed to last for years, certain items (such as the polycarbonate seals and door sweeps) may need to be replaced as they show signs of aging and wear.

General Disclaimers

- **Shower Doors are not watertight:** Consumers should understand that a shower door is not watertight. The amount of water that can escape your shower can vary greatly based on shower/tub size, configuration of shower head(s), type of thresholds and drains and by the type of shower door itself. Heavy glass units with no or limited vinyl seals, for example, can allow water to escape under normal conditions. Doors with more metal and seals generally provide more water protection. Excessive water pressure or directing shower heads or hand held sprays directly at doors or joints is not a normal shower conditions and can result in leaks.
- **Towel bars, handles and accessories** are in no way considered to be grab bars or other bracing or fall prevention mechanisms. The intent of these accessories is to facilitate proper operation or enhance the esthetics and functionality of the unit.

Owners Manual:

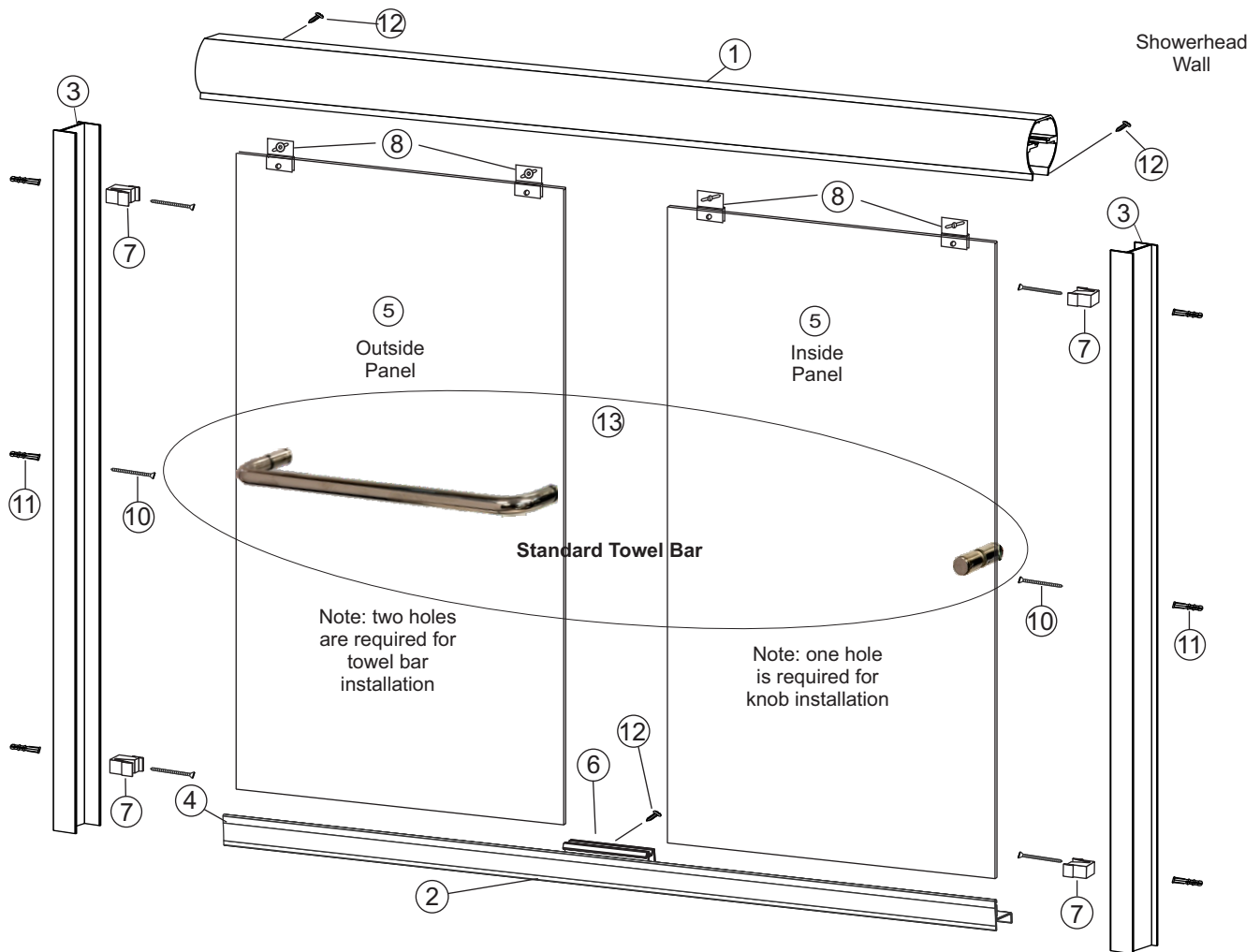
Refer to your Owners Manual for general installation and cleaning and care instructions. If a copy of the Owners Manual was not included, you can download one on the RESOURCES page of our website.

Questions or Comments:

1-800-843-3332

Parts Diagram for DSE, DTE, SSE or STE

(Installation procedure is the same regardless of height of unit)

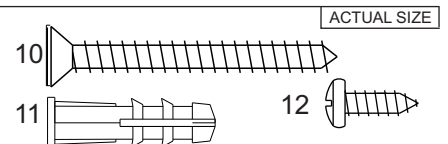


Parts List

Item	Part #	Description	QTY
1	EX.1049	Tub Header	1
2	EX.1062	Stay Clean Sill	1
3	EX.1051	Tub Jamb	2
4	VN.4032	TF-2B T-Fin	1
5		Sliding Glass Panel	2
6	BP.3541	AVG-3 Center Guide	1

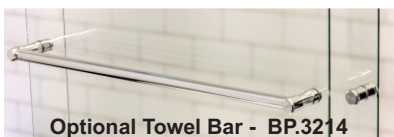
Item	Part #	Description	QTY
7	BP.3541	Bumper Guides	4
8	SP.2256	Hanger Bracket Assy	4
10	BP.3027	#8 x 1-1/2 FPHSMS	6
11	BP.3027	Wall Anchor	6
12	BP.3027	#6 x 3/8 PHPHMS	3
13	HA.27XX	Towel Bar/Screw Kit	1

Item	Part #	Description	QTY
14	BP.3000	Anti jump Bag	1



Extra screws may be provided for your convenience

Optional Parts

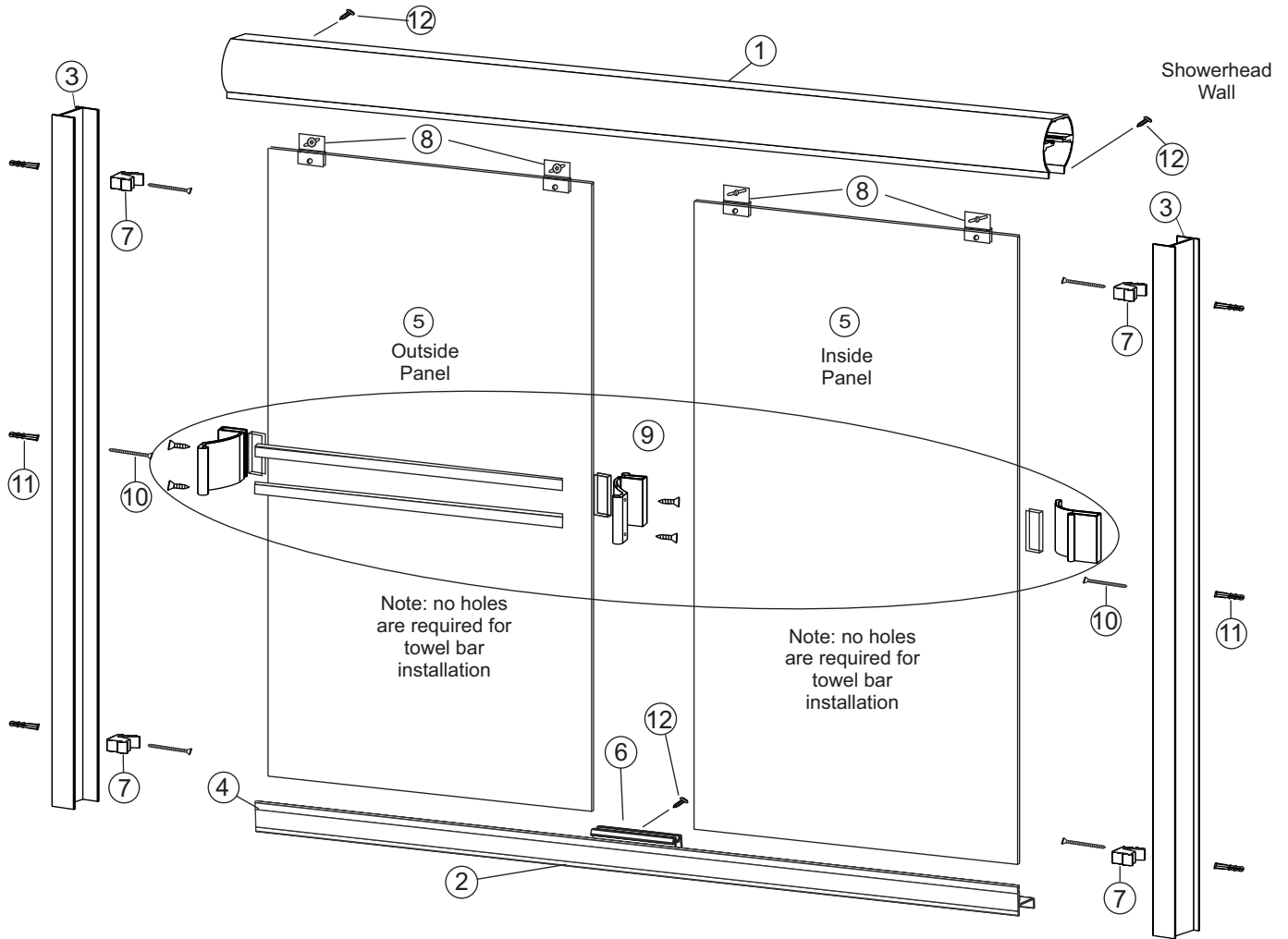


Optional Towel Bar - BP.3214

Optional Towel Bar BP.3214 (at left) installation steps are on page 8

Parts Diagram for CSE, CTE, VSE or VTE

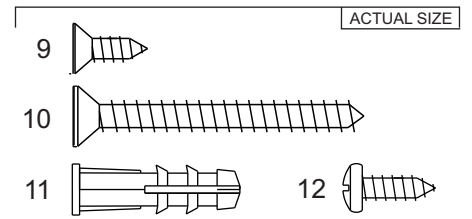
(Installation procedure is the same regardless of height of unit)



Parts List

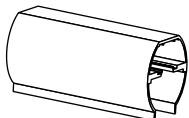
Item	Part #	Description	QTY
1	see below	Tub Header	1
2	EX.1062	Stay Clean Sill	1
3	EX.1051	Tub Jamb	2
4	VN.4032	TF-2B T-Fin	1
5		Sliding Glass Panel	2
6	BP.3541	AVG-3 Center Guide	1

Item	Part #	Description	QTY
7	BP.3541	Bumper Guides	4
8	SP.2254	Hanger Bracket Assy	4
9	BP.3344	Double Towel Bar	1
10	BP.3027	#8 x 1-1/2 FHPSMS	6
11	BP.3027	Wall Anchor	6
12	BP.3027	#6 x 3/8 PHPHSMS	3



Extra screws may be provided for your convenience

Optional Parts



EX.1049 Tub Header (at left) is standard on CSE and CTE and optional on VSE and VTE



EX.1040 Tub Header (at left) is standard on VSE and VTE and optional on CSE and CTE

Installation Instructions

All Models

STEP 1 - CENTERLINE:

- Locate the centerline of the shower or tub rim and mark it with a water soluble marker
- Measure the wall to wall distance, 1/2" above the threshold to allow for any radius or obstructions in the corners
- Deduct 7/16" from this measurement and cut the Stay Clean Sill (2) to length

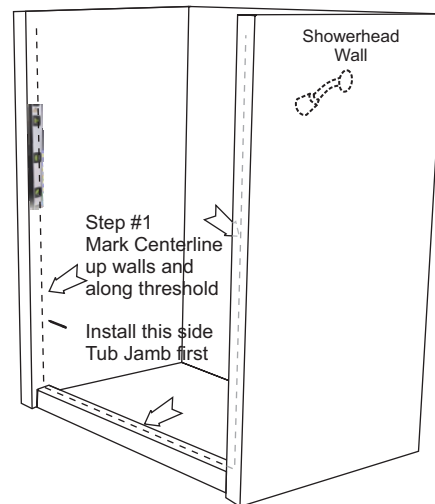
STEP 2 - STAY CLEAN SILL:

- Mark the center of the Stay Clean Sill (2) for the Center Guide (6).
- Use the Center Guide's (6) hole for a template and mark the location onto the sill. See illustration #2.
- Drill hole with a 1/8" drill bit.
- Do not attach the Center Guide (6) at this time.
- Install the T-Fin into the Stay Clean Sill (2) with the fin pointing down. Flush cut at the ends.
- Place the Stay Clean Sill (Item #2) directly over and parallel to the centerline. There will be a 3/16" between each end and the walls
- Hold sill in place with Painters tape.

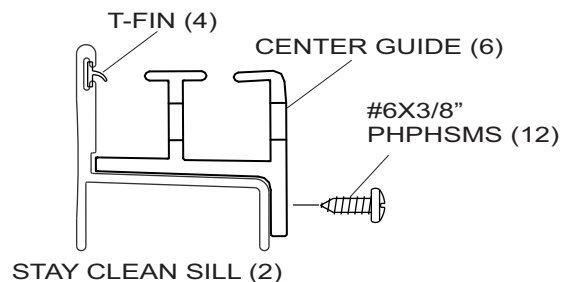
STEP 3 - TUB JAMBS and BUMPERS:

- The Tub Jamb (3) opposite the shower head wall is installed first
- Set Tub Jamb in gap between the Stay Clean Sill (2) and wall
- With a level, plumb the Tub Jamb (3). Mark only the bottom Tub Jamb hole location on the wall using the factory hole as a template. See illustration #3.
- Drill the hole with a 3/16" drill bit (carbide bit for masonry) and insert one Wall Anchors (11) into the tile
- Insert Bumper Guide (7) and 1 - #8x1-1/2" FHPHSMS (10) into bottom hole
- Orient Bumper Guide with panel crevice to outside (as shown to the right) and tighten screw until snug.
- Secure top of jamb to wall on both sides with painter's tape
- Position and plumb the second Tub Jamb onto the opposite wall
- Plumb with a level and mark all three holes
- Drill the holes with a 3/16" drill bit. Insert three Wall Anchor (11) and secure Tub Jamb with three #8 X 1-1/2" FHPHSMS (10) and 2 - Bumper Guides (7)
- Panel crevice of these bumper guides should be oriented inside of unit

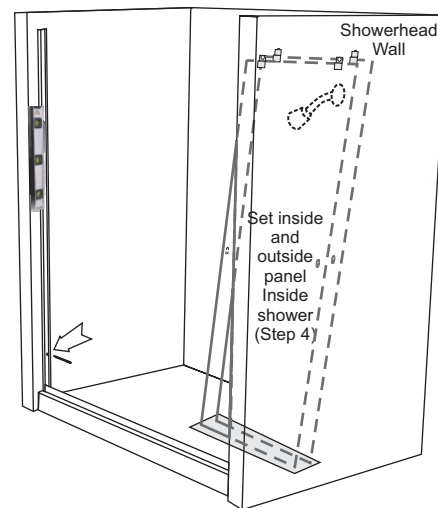
Centerline Detail



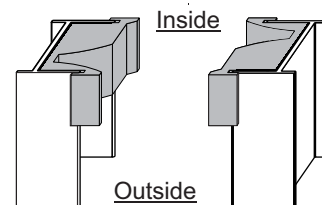
Sill Detail



Tub Jamb and Bumper Detail



Bumper Guide Orientation Detail for showerhead right →



Reverse above orientation for showerhead left

Installation Instructions

All Models

STEP 4 - TUB HEADER:

- Measure wall to wall at the top of the Tub Jamb
- Deduct 1/16" and cut Tub Header (1) to length. Test fit Header
- Drill a 1/8" hole at each end on the inside. Screw size is a #6x3/8" PHPHSMS (12)

-
- Find Parts Bag BP.3000.NTL - Anti-Jump Runners (14) and follow installation instructions

NOTE: Use of runners are encouraged, but optional, and must be ordered separately on some units

-
- Place inside glass panel (Knob Panel) inside the shower or tub stall. Ensure the rollers are facing the wall and knob hole is opposite the shower head. Lean against the back wall. Use pad to protect the glass/tile from damage. Also, place the outside panel, rollers facing out.
 - Set header in place over the Tub Jamb but do not secure at this time.

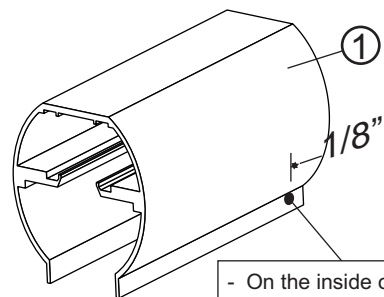
STEP 5- PANEL INSTALLATION:

- Make sure that the Tub Jamb opposite the showerhead (only one screw) is snug, and secured with painters tape
- Hang outside glass panel (Towel Bar Panel) in place inside the header and slide to showerhead wall (fully secured Tub Jamb)
- Install the inside panel and slide to wall opposite shower head
- Ensure rollers on both panels are fully seated into the header tracks
- Install the Center Guide (6) and securing it with one #6x3/8" MS (12).

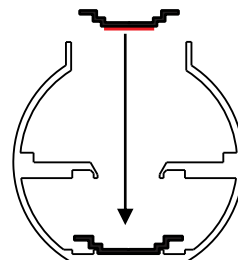
STEP 6 - TUB JAMB ADJUSTMENT and FASTENING:

- Standing outside the shower, move the sliding panels one at a time into the proper side of unit
- Adjust the header side to side (you will have to remove and reapply painter's tape) until both panels pocket perfectly into both Tub Jamb
- Mark the remaining two holes of the Tub Jamb onto the wall opposite the showerhead
- Slide both panels back to the showerhead Tub Jamb. Remove the Center Guide
- Remove both sliding panels and set them in a safe place on a padded surface
- Rotate the Tub Jamb out of the way just far enough to reveal the marked holes and drill the holes with a 3/16" drill bit
- Insert two Wall Anchors (11)
- Re-align Tub Jamb and secure with two #8 X 1-1/2" FPHSMS (10). install the top Bumper Guide (7) with the top screw
- Reinstall both of the sliding glass panels as you did earlier in the last step, then reinstall the Center Guide

Tub Header Detail

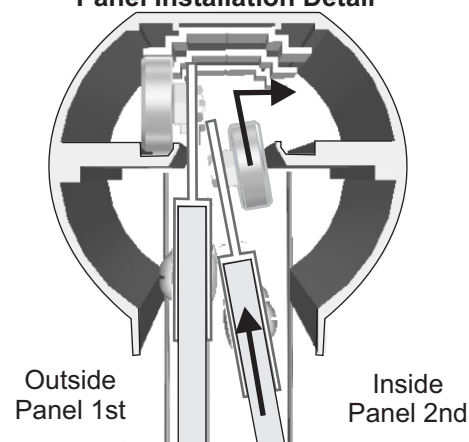


- On the inside of header drill an #32 wire gauge hole into Tub Header (Item #1) 1/8" from end

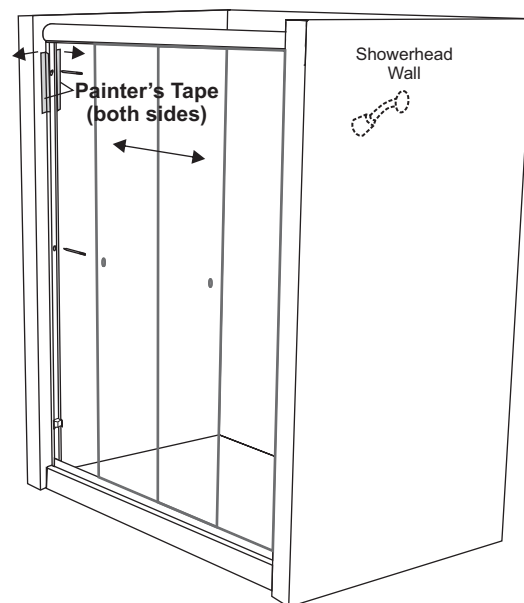


Anti Jump Runner w/ Red Tape installed in EX.1049 Tub Header (same procedure for EX.1040)

Panel Installation Detail



Tub Jamb Adjustment and Fastening Detail



Installation Instructions

All Models

STEP 7 - TOWEL BAR INSTALLATION

See page 8 or refer to the installation instructions provided with your towel bar kit

STEP 8 - PANEL ADJUSTMENT:

- To adjust the sliding panels for out-of-square wall conditions or to level them, etc., locate the hex nuts in the Hanger Brackets (8) and the Adjustment Wrench provided in the parts kit.

NOTE: The panels can be adjusted while still hanging in the header.

- Loosen the hex nut with the special wrench until roller can slide along the angled slot on the Hanger Bracket (8)
- Raise or lower each side of the panel by sliding the roller along the angled slot until desired adjustment is achieved
- Be sure to re-tighten the screws.

STEP 9 - HEADER ATTACHMENTS:

- Secure the Header to the Tub Jamb by drilling through the holes in the header, from the inside of the shower, into the Tub Jamb with a 1/8" drill bit.
- Secure with two #6 X 3/8" PHPHSMs (Item #12) as shown in illustration #8.



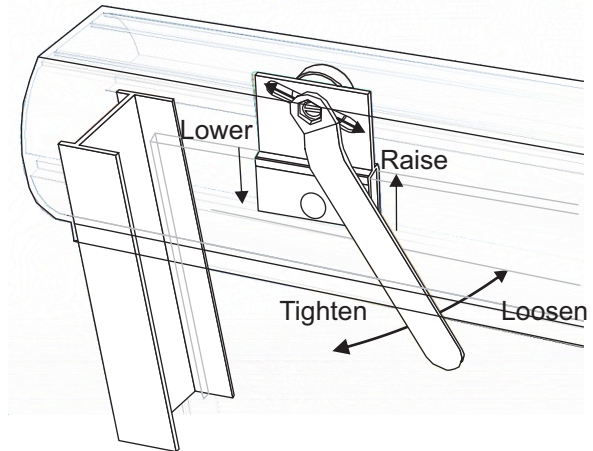
SAFETY WARNING:

Improper screw placement during STEP 9 could cause damage to the glass.

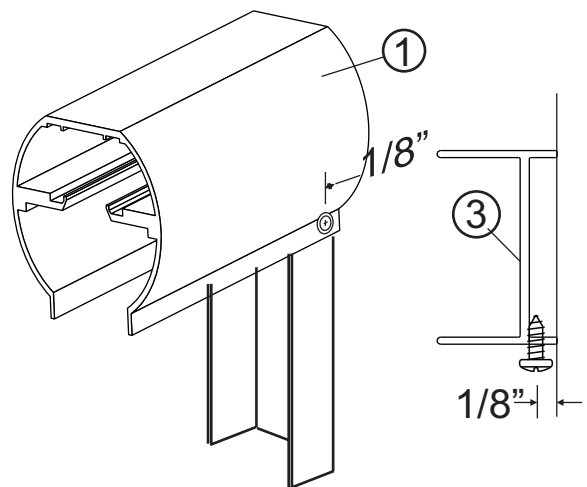
STEP 10 - SEALANT:

- Remove all Painter's Tape used during the installation
- Starting at the top of a tub jamb, apply a bead of sealant along the entire outside of the enclosure where it meets the wall and base. End at the top of opposite tub jamb
- Additional sealant is needed at the bottom corners where the Tub Jamb meet the Stay Clean Sill:
 - Starting from the outside caulk the vertical joint between the tub jamb and sill.
 - Move inside the shower and continue to caulk this joint until you finish the run where the vertical joint meetings the threshold on the inside.
 - These joints must be totally sealed for a leak proof and structurally secure installation.
- NOTE:** For optimum results allow the sealant to dry for 24 hours before running the shower.

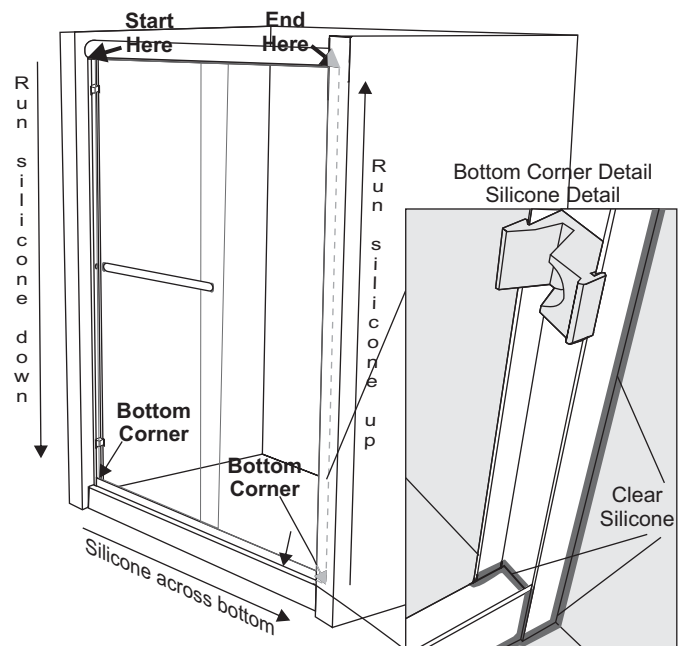
Panel Adjustment Detail



Header Attachment Detail



Sealant Detail

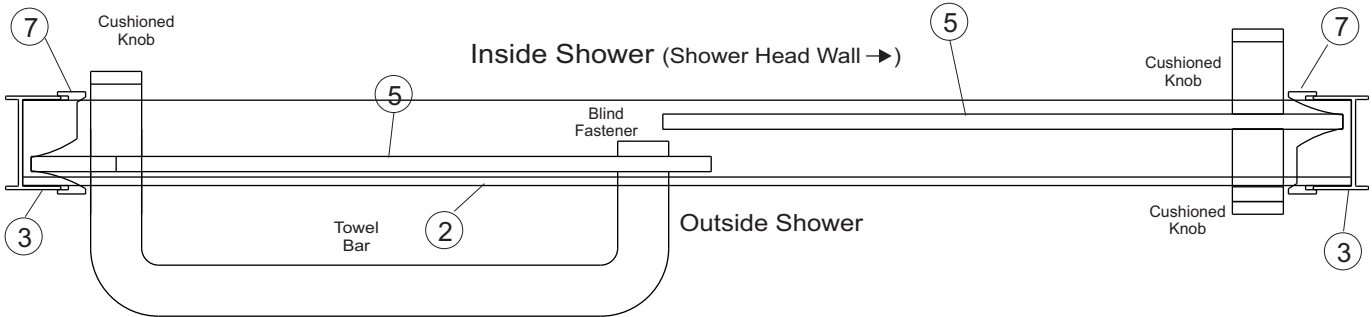


Towel Bar Installation

(Installation Instructions should also be inside the towel bar kits)

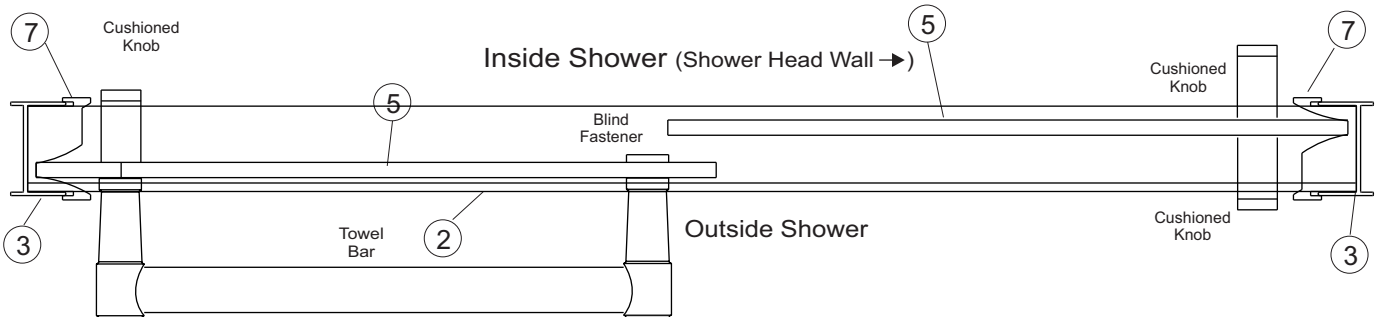
STEP 7 - DSE/DTE or SSE/STE w/ Standard Towel Bar (BP.27XX, XX = length)

- Refer to instructions provided with towel bar or use this general configuration below



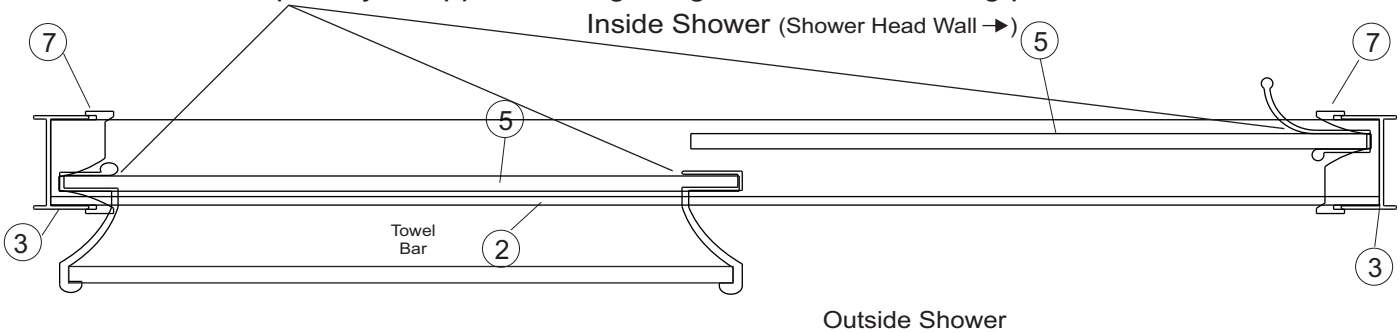
STEP 7 - DSE/DTE or SSE/STE w/ Optional Towel Bar (BP.3214)

- Refer to instructions provided with towel bar or use this general configuration below



STEP 7 - CSE/CTE or VSE/VTE w/ Standard Double Towel Bar (BP.3344)

- Refer to instructions provided with towel bar or use this general configuration below
- NOTE: "U" shape vinyl is applied to edge of glass before attaching pull and brackets



Thank you for choosing this great product!

Please refer to your Owner's Manual for Warranty Registration
and Cleaning and Care Instructions

Questions or Comments:

1-800-843-3332