

Installation Instructions for SESD180 / DESD180 1/4" Semi-Frameless Door and 3/8" In-Line Panel

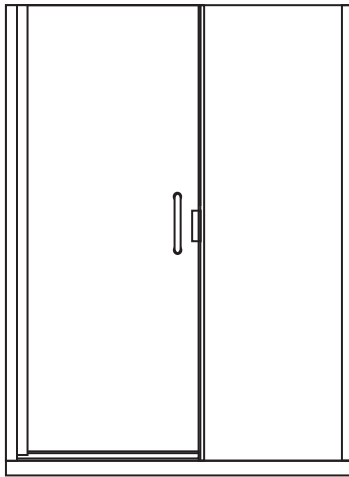
FIRST STEPS - Identify the model number of your unit.

- Look on the white shipping label on the outer cardboard box.
- **Model number** on label should correspond to one listed above.

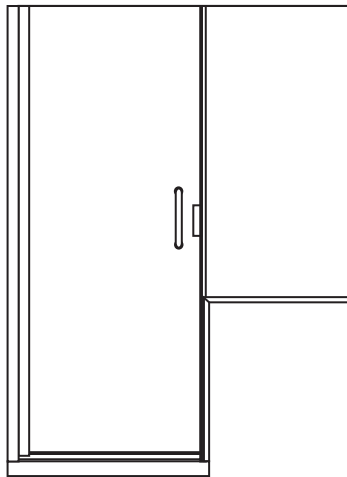
Scan this Barcode for Parts Bag BP.3143.NLT



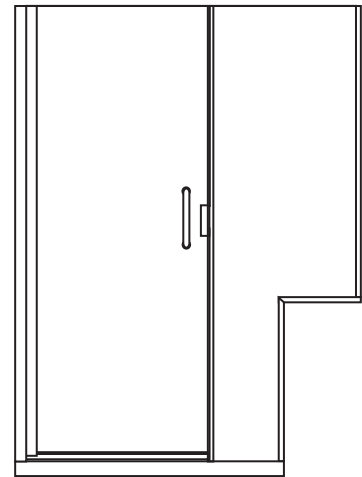
Pick a unit below that best represents your configuration.



SESD180
DESD180
Standard Door/Panel
Pages 3 - 5



SESD180
DESD180
with buttress
Pages 6-8



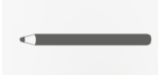
SESD180
DESD180
with notched panel
Pages 9-11

NOTE:

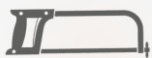
- Installation procedures are the same for tub or shower height units
- The images in this manual show an arrangement with the showerhead to the left. The same instructions apply for the opposite orientation where the examples would be reversed.

Required Tools

* Pencil or water soluble felt pen



* Hacksaw with 24 tooth blade



* Metal file (smooth sharp edges)



* Tape measure



* Clear 100% Silicone (recommended)



* #2 Phillips Screw driver



* 1/8", 3/16", 1/4", 3/8" drill bits (carbide for tile)



* Caulking gun



* Drill, electric or battery



* 4 ft. Level



* Rubber mallet



* Razor knife



P/N MM.5023
rev061920

READ ENTIRE MANUAL BEFORE INSTALLATION AND OPERATION

Warnings and General Shower Door Information



**SAFETY
WARNINGS:**



READ AND FOLLOW INSTRUCTIONS: Failure to follow all instructions, warnings and guidelines may result in serious injury or death, may cause water damage, and will void the terms of your warranty.

General Safety and Installation Policies

Before Installation:

- **Proper Size:** Ensure the enclosure is the proper size for your opening prior to beginning installation.
- **Safe Installation:** Some units may require two or more people to safely install the enclosure properly.
- **Packaging:** It is recommended to retain all packaging and other materials until installation is complete in the event of a return.
- **Inspect:** Installer should inventory all parts or components and inspect them for damage prior to beginning installation.
- **Sharp Edges:** Exposed ends of aluminum and other hard components can be rough, sharp or jagged due to the processes of cutting, drilling, notching, etc. Sharp ends must be deburred, smoothed or rounded by the installer before installation.
- **Safety equipment and tools:** Have all necessary safety equipment (glasses and gloves) and proper tools for the installation. The installer is responsible for determining the correct drill bit(s) for the installation.
- **New Tile:** We recommend that you allow at least 2 days (48 hours) for the tile cement and grout to dry before installing enclosure.

During Installation



- **Proper backing:** Shower doors are heavy. Therefore, glazing channels, fillers, hinges and headers blocks (structural components) should be secured to studs or solid backing beneath the tile or decorative substrate. Fasteners should screw directly into the backing. Wall anchors are provided primarily to separate screws from tile to reduce the possibility of cracking.

- **Tempered glass:** Glass can break. Shower door panels are tempered to ASTM C1048 specifications as required by building codes. Glass is tempered to greatly increase its strength and to make it fragment into smaller and lighter pieces reducing the possibility of injury in the event that the glass does break. Tempered glass will break and may cause bodily injury if you attempt to cut, drill, mill or alter it in any way. Care must be taken when handling tempered glass. Pay special attention to protect all edges of the glass from contact with hard surfaces.
- **Horizontal surfaces and installation holes:** Avoid drilling into the horizontal surfaces of tubs or showers unless it is required for the structural integrity of the unit. If you drill into horizontal surfaces, always generously caulk the holes, anchors, screws and on top of the screw head. If this is not done, or is done improperly, water damage can occur under the tile or substrate.
- **Weep holes in horizontal channels:** Drilling 3/8" weep holes on the inside of horizontal channels is recommended to allow any moisture build-up inside a channel to exit the channel. Due to varying installation conditions and installer's/owner's personal preference, however, we do not drill them in the factory.
- **Sliding and swinging glass doors:** A door may be improperly installed if it hits or scrapes against bathroom obstructions (toilets or cabinets) or any metal or glass components of the shower door itself. This could lead to glass breakage or serious injury. The installer must correct the deficiencies before allowing the door to be used.
- **Surface conditions:** Most shower door designs allow for out-of-square or unlevel installation. Generally, any outage more than 3/8" that was not identified during the ordering process is outside of these allowances and can result in an improper installation.

Caulking/Siliconing the Unit:

- Always clean all contact surfaces before caulking and use a high grade 100% silicone for best results.
- After installation, at a minimum, caulk the entire outside perimeter of the unit where the unit touches walls, sills, and step-ups, etc. Also caulk any vertical joints between metal components where water build-up inside of the channels could leak out.

After Installation:

- **Curing times:** Adhere to manufacturers' recommended curing times for VHB tapes, silicones and any other adhesives, coatings or chemicals used during installation. Unless otherwise stated, it is recommended to wait 72 hours before using the enclosure.
- **Normal wear and tear:** Although these enclosures are designed to last for years, certain items (such as the polycarbonate seals and door sweeps) may need to be replaced as they show signs of aging and wear.

General Disclaimers

- **Shower Doors are not watertight:** Consumers should understand that a shower door is not watertight. The amount of water that can escape your shower can vary greatly based on shower/tub size, configuration of shower head(s), type of thresholds and drains and by the type of shower door itself. Heavy glass units with no or limited vinyl seals, for example, can allow water to escape under normal conditions. Doors with more metal and seals generally provide more water protection. Excessive water pressure or directing shower heads or hand held sprays directly at doors or joints is not a normal shower conditions and can result in leaks.
- **Towel bars, handles and accessories** are in no way considered to be grab bars or other bracing or fall prevention mechanisms. The intent of these accessories is to facilitate proper operation or enhance the esthetics and functionality of the unit.

Owners Manual:

Refer to your Owners Manual for general installation and cleaning and care instructions. If a copy of the Owners Manual was not included, you can download one on the RESOURCES page of our website.

Questions or Comments:

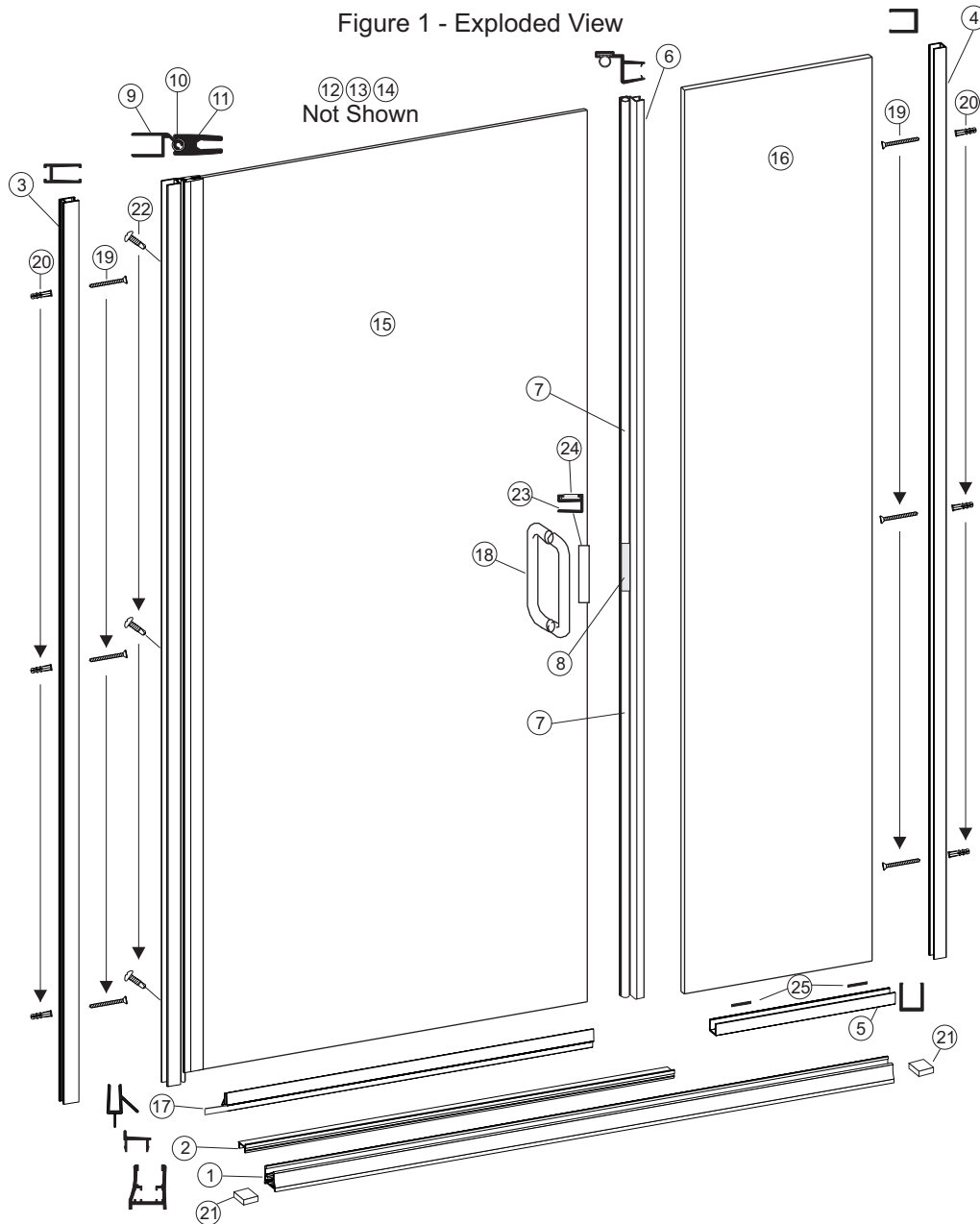
1-800-843-3332

Installation Instructions

Models: SESD180, DESD180

1/4" Semi-Frameless Door and 3/8" In-Line Panel

Figure 1 - Exploded View



Parts List

- | | | |
|---|--|--|
| <ul style="list-style-type: none"> 1. EX.1022 - Stall Curb - 1 2. EX.1025 - Curb Filer - 1 3. EX.1268 - Hinge Wall Channel - 1 4. EX.1018 - Panel Wall Channel - 1 5. EX.1018 - Panel Sill - 1 6.- 8. Clear-Poly Latch Assembly 9.- 15. Door Assembly - 1 16. 3/8 Clear Fixed Panel - 1 17. VN.4062 - PVC Drip Deflector - 1 18. HA.2701 - D-pull Handle - 1 19. SP.2101 - #8 X 1-1/2 FHPHMSMS - 6 20. SP.2217 - 3/16 X 7/8 Wall Anchor - 6 | <ul style="list-style-type: none"> 21. SP.2204 - Foam Plug - 2 22. SP.2110 - #8 X 1/2 PPH TEK - 3 23. BP.3701 - Magnetic Edge Cap Assembly 24. BP.3028 - Setting Block Kit 25. SP.2221 - Centering Clip - 5 26. SP.2221 - Centering Clip - 5 27. VN.4031 - Snap Dry Glaze Vinyl <p style="text-align: center;">Extra screws may be provided
for your convenience</p> | <ul style="list-style-type: none"> 9. Door Assembly-EX.1165-Hinge Jamb-1 10. VN.4034 - Hinge Sleeve - 1 11. EX.1466 - Hinge Rail - 1 12. SP.2200 - Hinge Pin - 2 13. SP.2181 - Flat Washer - 2 14. SP.2123 - #6 X 1/2 PPH MS - 2 15. 1/4 Clear Door Glass - 1 |
|---|--|--|

Boxed information is assembly detail.

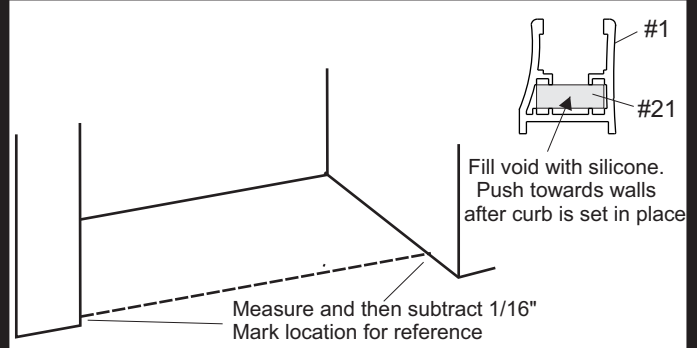
Installation Instructions

Models: SESD180, DESD180

1/4" Semi-Frameless Door and 3/8" In-Line Panel

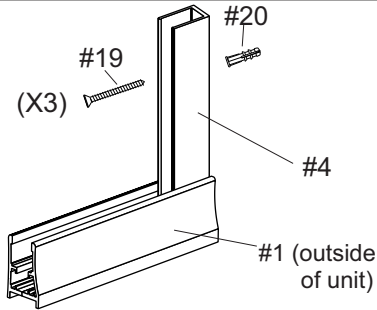
STEP 1 - Curb Installation (#1)

- * Measure the wall to wall where you want the center of the unit to be installed, subtract 1/16" from this.
- * Mark location for reference.
- * Cut the Stall Curb #1 to this length.
- * Insert foam plug #21 into each end of the Stall Curb and recess 1/8".
- * Fill 1/8" void with silicone.
- * Set the curb in place centered over where you measured, secure with blue tape.
- * Orient weep holes are to inside of shower.
- * Do not screw the curb to threshold.



STEP 2 - Wall Channel (#4)

- * Insert Wall Channel #4 into curb, on side of fixed panel.
- * Plumb channel with a level.
- * Mark the hole locations onto the wall.
- * Remove the channel
- * Drill marked locations with 3/16" drill bit
- * Insert 3 - Wall Anchors #20 (may have to razor heads of anchors flush to wall).
- * Re-insert channel and secure with 3 - #19 screws.



STEP 3 - Panel Sill (#5) and 3/8" Fixed Panel (#16)

- * Measure width of 3/8" Fixed Panel and subtract 3/8".
- * Cut the Panel Sill #5, to this length.
- * Set the Panel Sill #5 into the Stall Curb #1 and butt to the Wall Channel #4.
- * Insert two Setting Blocks #25 into Panel Sill.

- Wet Glaze Option Only** - If using silicone to bond the glass to the wall channel and sill:
- Install 2 - #26 Centering Clips evenly spaced into Panel Sill, offset from Setting Blocks.
 - Insert 3 - #26 Centering Clips into the Wall channel.

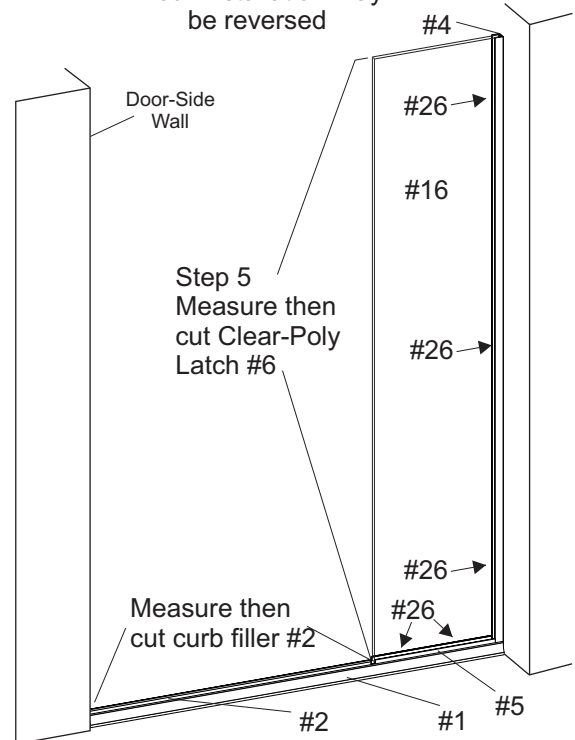
- Dry Glaze Option** - If using push-in glazing vinyl to set the 3/8" glass panel, do not use Centering Clips #26.

- * Set 3/8" Glass Panel into Panel Sill and Wall Channel.
- * Flush glass edge to exposed end of Panel Sill #5.
- * Adjust top of glass flush to top of Wall Channel, place additional setting blocks under glass if needed.
- * Ensure vertical edge of 3/8" Glass Panel is plumb.

- Wet Glaze Option** - Temporarily, but securely fix Glass Panel into position with blue painter's tape.

- Dry Glaze Option** - Holding the glass panel in position, roll or press the Glazing Bead into both sides of sill and wall channel using a roller or smooth block of wood.
- * Check to ensure panel didn't move.

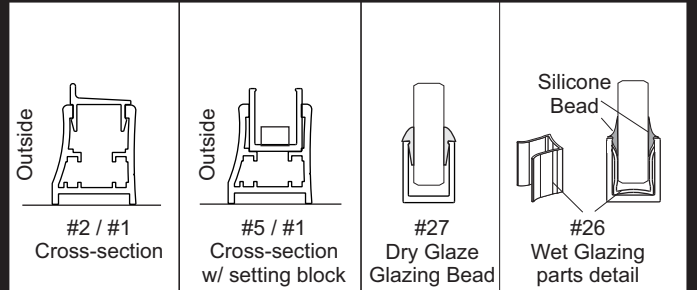
*Your installation may be reversed



*** If using the Dry Seal, once the push in vinyl has been installed, it cannot be easily removed without being replaced.

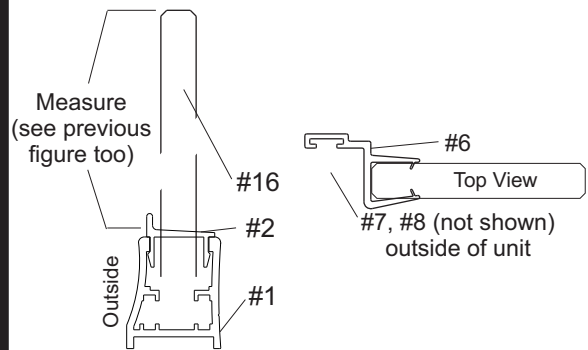
STEP 4 - Curb Filler (#2)

- * Measure from the edge of the 3/8" Glass Panel to the Door side wall.
- * Cut the Curb Filler #2 to this length.
- * With the two forks pointing down and the vertical leg to the front of the unit, snap the Curb Filler into the Stall Curb.
- * The slope of the Curb filler should be to the inside of the shower.



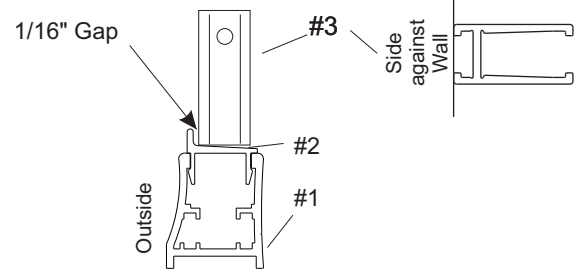
STEP 5 - Clear-Poly Latch Jamb (#6)

- * Measure from top of 3/8" Glass Panel #16 to top of the sloped surface of the Curb Filler #2.
 - * Take Clear-Poly Latch Jamb assembly, and remove the Bulb Seal and Strike Plate, set aside for later step.
 - * Cut Clear-Poly Latch #6 to above dimension using a 24 tooth hatch-saw. Power saw may damage latch.
- Recommended: notch the Clear-Poly Latch at bottom to clear the Panel Sill #5 (trim legs up 3/16").
- * Apply the Clear-Poly Latch Jamb on edge of Glass with latch inside unit ensuring it is flush with the top of the Fixed panel.



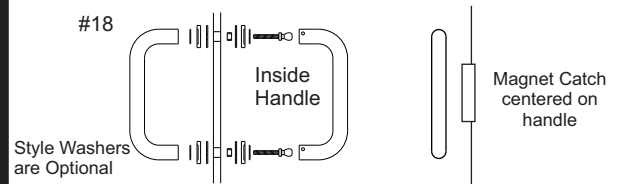
STEP 6 - Attach Door-Side Wall Channel (#3)

- * Set door-side Wall Channel #3 in place against the door side wall, on top of the Curb Filler.
- * Gap the bottom of the wall channel 1/16" from the vertical water dam of the Curb Filler (This will allow the room for the Door assembly to slide over.)
- * Plumb Wall Channel, mark the hole locations on wall and remove Wall Channel.
- * Drill holes with 3/16" bit, insert 3 - #20 Wall Anchors, re-install Wall channel and secure with 3 - #19 Screws.



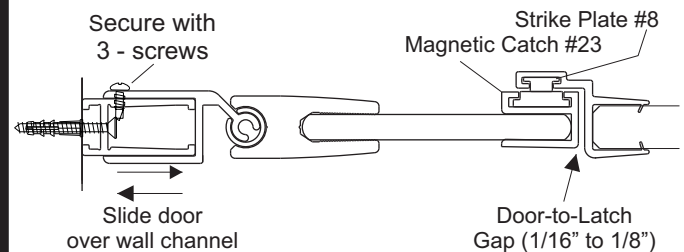
STEP 7 - Door Assembly / Pre-Hanging Prep

- * Attach Pull - Handle #18 to Door.
- * Dry run the position of Magnetic Catch Assembly, #23, #24 and mark location with marker on glass.
- * Apply small bead of silicone inside Catch Assembly and work onto edge of glass at mark. Let silicone dry.



STEP 8 - Hang Door Assembly

- * Slide door assembly over the Wall Channel (Step 6).
- * Adjust door until top edge of the door is level and flush with top of 3/8" Glass Panel.
- * Also ensure door-to-latch gap is consistent from bottom to top.
- * When aligned, secure Door Assembly to Wall Channel with 3 - #22 screws using factory pilot holes in the Hinge Jamb.

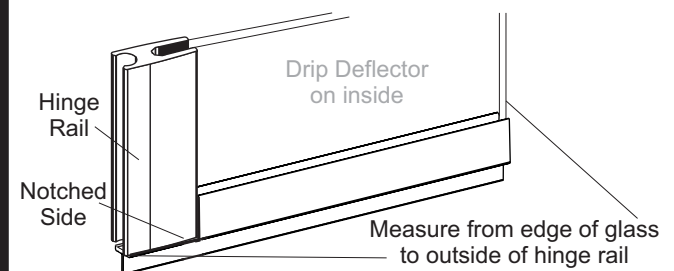


Finish Latch

- * Temporarily slide Strike Plate #8 into Clear-Poly Latch #6, align with Mag Catch #23.
- * Mark top and bottom of Strike Plate onto Latch.
- * Marks and cut Bulb Seal #7 to proper length.
- * From top of latch, re-insert bottom bulb seal, strike and top seal. Dabs of silicone may be required to secure Bulb Seals and Strike in place. Hold with Painters tape while drying.

STEP 8 - Bottom Sweep Fitting (#17)

- * Measure the Door Glass including Hinge Rail.
 - * Subtract 1/16" and cut the Bottom sweep to this length.
- IMPORTANT: The sweep is notch on both ends. You must leave the notch that goes under the Hinge Rail for your door. Cut off the end with the notch you don't need.
- * Trim the inside deflector 3/8" so it will clear the Latch Jamb when door is closed.



STEP 10 - Final Sealing / Siliconging the Unit (let dry for 24 hours before use)

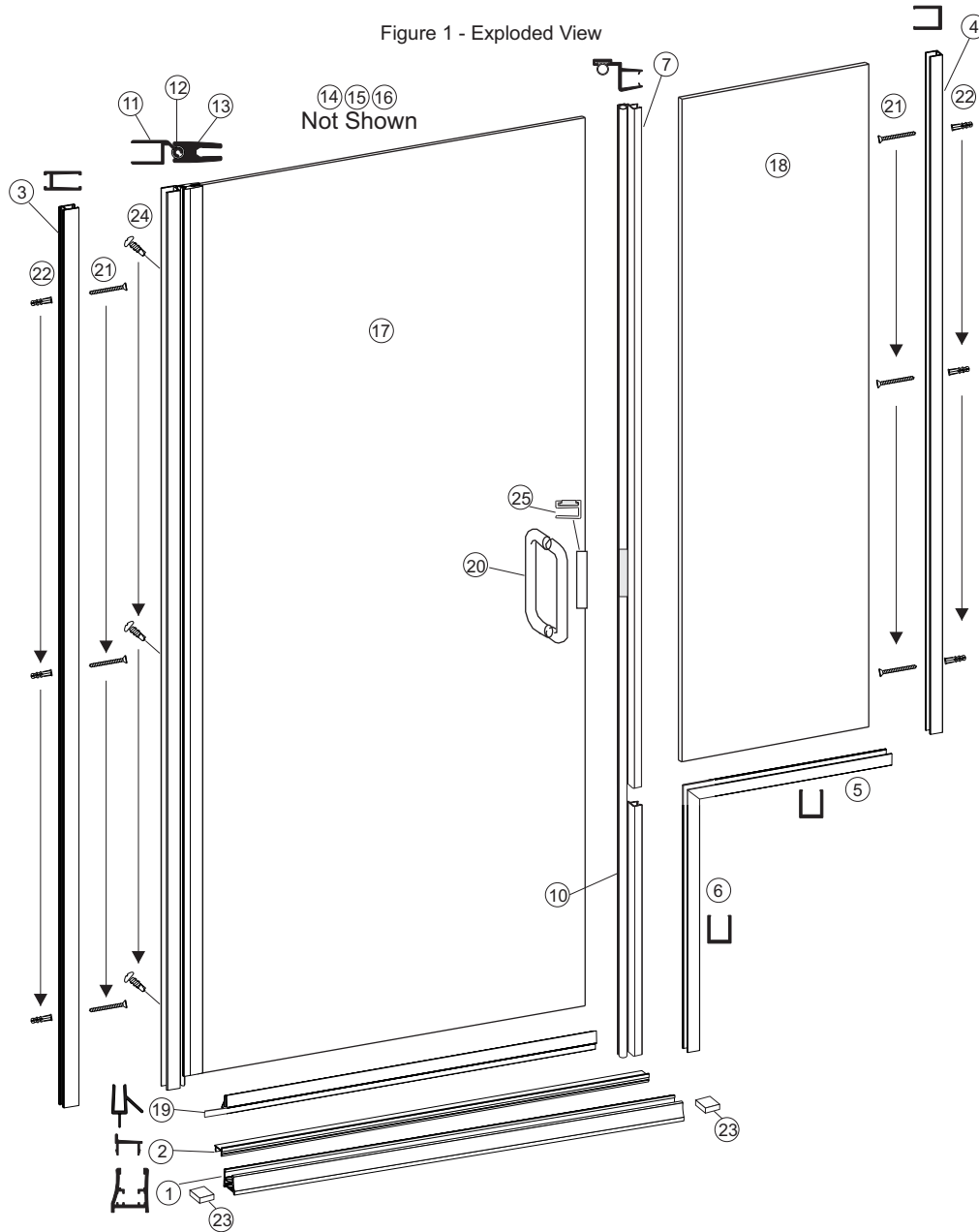
- * On the outside of the unit, run a bead of silicone down both walls and across the bottom where the metal meets the walls and base.
- * Apply a dab of silicone at the bottom of the latch jamb where it meets the Curb Filler.

Installation Instructions

Models: **SESD180, DESD180 with Buttress**

1/4" Semi-Frameless Door and 3/8" In-Line Panel

Figure 1 - Exploded View



Parts List

- 1. EX.1022 - Stall Curb - 1
- 2. EX.1025 - Curb Filler - 1
- 3. EX.1268 - Hinge Wall Channel - 1
- 4. EX.1018 - Panel Wall Channel - 1
- 5. EX.1018 - Panel Sill Horizontal - 1
- 6. EX.1018 - Panel Sill Vertical - 1
- 7. - 9. VN.4075 - Clear PVC Latch Assy - 1
- 10. VN.4076 Buttress PVC Latch Jamb - 1
- 11. - 17. Door Assembly - 1
- 18. 3/8 Fixed Panel - 1
- 19. VN.4062 - PVC Drip Deflector - 1
- 20. HA.2701 - D-Pull Handle - 1

- 21. SP.2101 - #8 X 1-1/2 FPHSMS - 6
- 22. SP.2217 - 3/16 X 7/8 Wall Anchor - 6
- 23. SP.2221 - Foam Plug - 2
- 24. SP.2110 - #8 X 1/2 PPH TEK - 3
- 25. BP.3701 - Magnetic Edge Cap Assy
- 27. BP.3028 - Setting Block Kit - 1
- 28. SP.2204 - Centering Clip - 5
- 29. VN.4031 - Snap Dry Glaze Vinyl - 3

**Extra screws may be provided
for your convenience**

- 7. VN.4075 - Clear PVC Latch Assy - 1
- 8. VN.4002 - Bulb Seal - 1
- 9. SP.2194 - Strike Plate - 1

- 11. - 17. Door Assembly EX.1165 - Hinge Jamb - 1
 - 12. VN.4034 - Hinge Sleeve - 1
 - 13. EX.1466 - Hinge Rail - 1
 - 14. SP.2200 - Hinge Pin - 2
 - 15. SP.2181 - Flat Washer - 2
 - 16. SP.2123 - #6 X 1/2 PPH MS - 2
 - 17. 1/4 Door Glass - 1

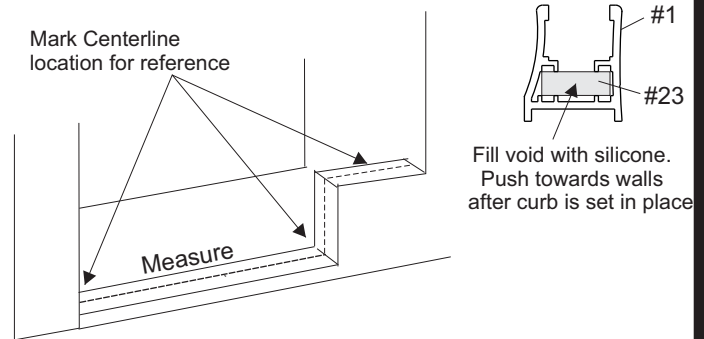
Boxed information is assembly detail.

Installation Instructions

Models: SESD180, DESD180 with Buttress
1/4" Semi-Frameless Door and 3/8" In-Line Panel

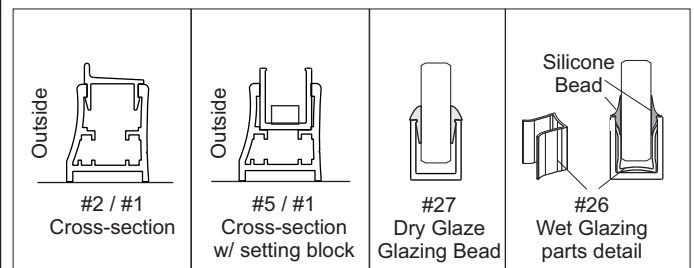
STEP 1 - Curb Installation (#1)

- * Measure the wall to face of buttress wall where you want the center of the unit to be installed.
- * Subtract 1/16" from this. Mark location for reference.
- * Cut the Stall Curb #1 to this length.
- * Insert foam plug into each end of the Stall Curb and recess 1/8"
- * Fill 1/8" void with silicone.
- * Set the curb in place centered over where you marked.
- * Secure with blue tape.
- * Weep holes are to inside of shower.
- * Do not screw the curb to threshold.



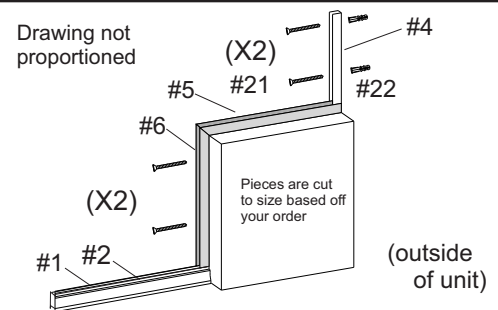
STEP 2 - Curb Filler (#2)

- * Measure from the face of the buttress wall to the Door side wall.
- * Cut the Curb Filler #2 to this length.
- * With the two forks pointing down and the vertical leg to the front of the unit, snap the Curb Filler into the Stall Curb. The slope of the Curb filler should be to the inside of the shower.



STEP 3 - Wall Channel (#4)

- * Set Vert. Wall Channel #6 on top of curb filler #2 on face of buttress and plumb channel with a level.
- * Mark the hole locations onto the wall.
- * Remove the channel and drill marked locations with 3/16" drill bit.
- * Insert 2 - Wall Anchors #22 (may have to razor heads off anchors flush to wall).
- * Re-insert channel and secure with 2 - #21 screws.
- * Follow with the Horizontal Channel and tape in place.
- * Set Wall Channel #4 on top of the horizontal channel, plumb with a level. Mark the hole locations onto the wall.
- * Drill with a 3/16 bit. Secure with 2 - #21 screws and 3 - #22 Wall Anchors.

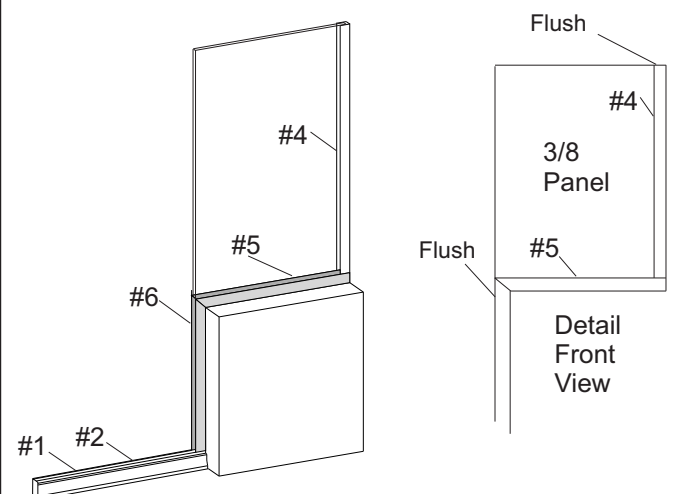


STEP 4 - 3/8" Glass Panel (#18)

- * **Wet Glaze Option Only** - If using silicone to bond the glass to the wall channel and sill:
 - Install 2 - #28 Centering Clips evenly spaced into Panel Sill, offset from Setting Blocks
 - Insert 3 - #28 Centering Clips into the Wall channel.
- * **Dry Glaze Option** - If using push-in glazing vinyl to set the 3/8" glass panel, do not use Centering Clips #28
- * Insert two Setting Blocks #27 into Panel Sill #5.
- * Set the 3/8" Glass Panel into the Horiz. Panel Sill #5 and Wall Channel #4.
- * Flush the exposed edges of the 3/8 panel with the longest point of the Panel Sill and the top of the Wall Channel. Ensure vertical edge of 3/8" Glass Panel is plumb. Adjust as necessary with Setting Blocks.

Wet Glaze Option - Temporarily, but securely fix Glass Panel into position with blue painter's tape.

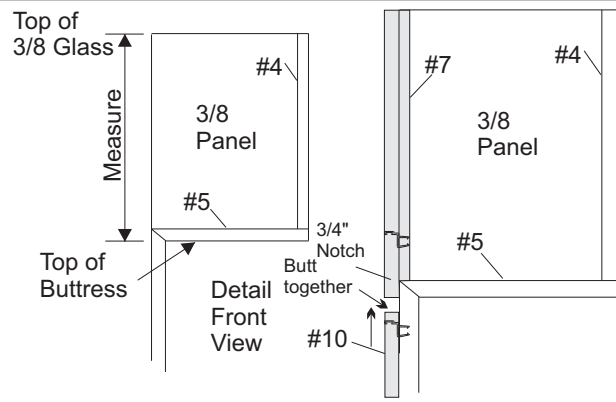
Dry Glaze Option - Holding the glass panel in position, roll or press the Glazing Bead #29 into both sides of sill and wall channel using a roller or smooth block of wood. Check to ensure panel didn't move.



*** If using the Dry Seal, once the push in vinyl has been installed, it cannot be easily removed without being replaced.

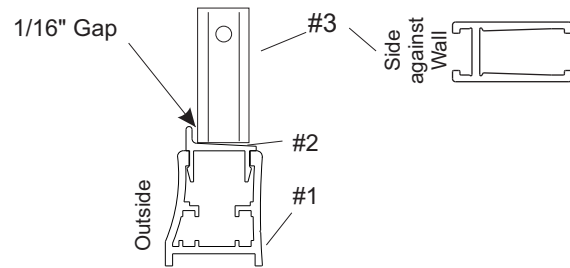
STEP 5 - Clear-Poly Latch Jamb (#7)

- * Measure from top of 3/8" Glass Panel #18 to top of the Buttress.
- * Take Clear-Poly Latch Jamb assembly, and remove the Bulb Seal and Strike Plate, set them aside for later step.
- * Cut Clear-Poly Latch #7 to above dimension using a 24 tooth hatch-saw. Power saw may damage latch.
- * Notch the bottom of the Clear-Poly Latch to fit over the end of the Panel Sill #5 (trim legs up 3/4").
- * Apply the Clear-Poly Latch Jamb on edge of Glass with latch inside unit ensuring it is flush with the top of the Fixed panel.
- * Measure from the bottom of the notched Poly Latch to top of the Curb Filler. Cut the Buttress Poly latch #10 to this length. Insert into Vertical channel and butt to bottom of upper poly latch.



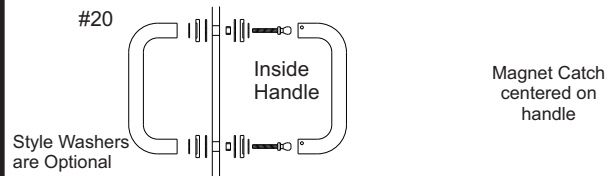
STEP 6 - Attach Door-Side Wall Channel (#3)

- * Set door-side Wall Channel #3 in place against the door side wall, on top of the Curb Filler.
- * Gap the bottom of the wall channel 1/16" from the vertical water dam of the Curb Filler (This will allow the room for the Door assembly to slide over.)
- * Plumb Wall Channel, mark the hole locations on wall and remove Wall Channel.
- * Drill holes with 3/16" bit, insert 3 - #22 Wall Anchors, re-install Wall channel and secure with 3 - #21 Screws.



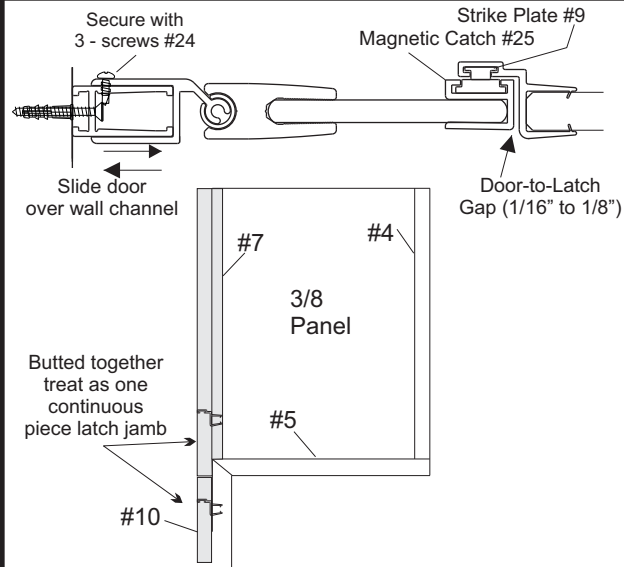
STEP 7 - Door Assembly / Pre-Hanging Prep

- * Attach Pull - Handle #20 to Door.
- * Dry run the position of Magnetic Catch Assembly, #25, #26 and mark location with marker on glass.
- * Apply small bead of silicone inside Catch Assembly and work onto edge of glass at mark. Let silicone dry.



STEP 8 - Hang Door Assembly

- * Slide door assembly over the Wall Channel. (Step 6)
- * Adjust door until top edge of the door is level and flush with top of 3/8" Glass Panel.
- * Also ensure door-to-latch gap is consistent from bottom to top.
- * When aligned, secure Door Assembly to Wall Channel with 3 - #24 screws using factory pilot holes in the Hinge Jamb.

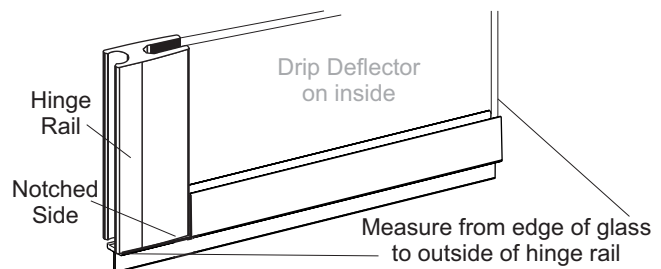


Finish Latch

- * Temporarily slide Strike Plate #9 into Clear-Poly Latch #7, align with Magnetic Catch #25.
- * Mark top and bottom of Strike Plate onto Latch.
- * Mark and cut Bulb Seal #8 to proper length.
- * From top of latch, re-insert bottom bulb seal, strike and top seal. Dabs of silicone may be required to secure Bulb Seals and Strike in place. Hold with Painters tape while drying.

STEP 8 - Bottom Sweep Fitting (#19)

- * Measure the Door Glass including Hinge Rail.
- * Subtract 1/16" and cut the Bottom sweep to this length.
- * IMPORTANT: The sweep is notch on both ends. You must leave the notch that goes under the Hinge Rail for your door. Cut off the end with the notch you don't need. Trim the inside deflector 3/8" so it will clear the Latch Jamb when door is closed.



STEP 10 - Final Sealing / Siliconing the Unit (let dry for 24 hours before use)

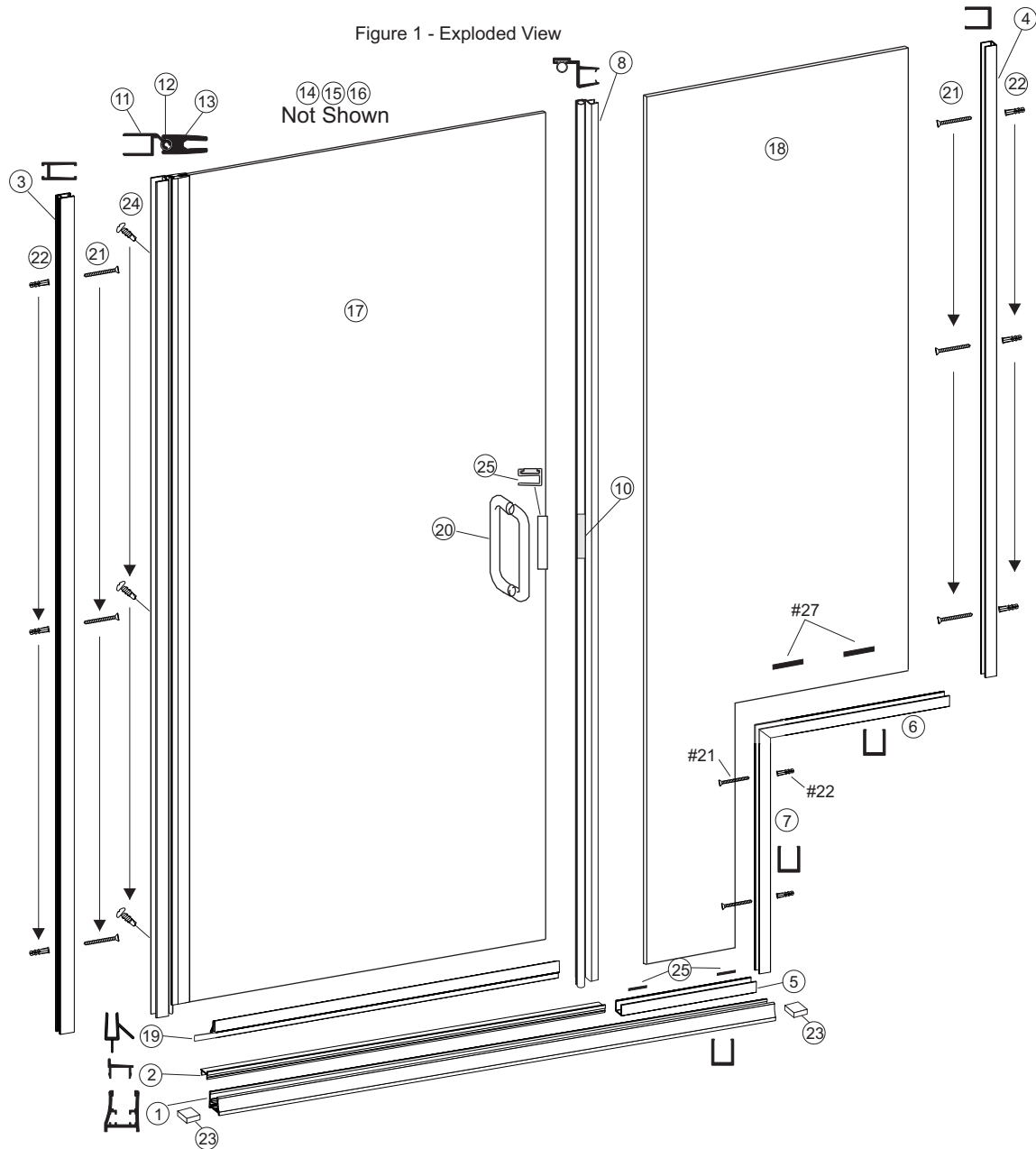
- * On the outside of the unit, run a bead of silicone down both walls and across the bottom where the metal meets the walls and base. Apply a dab of silicone at the bottom of the latch jamb where it meets the Curb Filler.

Installation Instructions

Models: **SESD180, DESD180 with Notched Panel**

1/4" Semi-Frameless Door and 3/8" In-Line Panel

Figure 1 - Exploded View



Parts List

- 1. EX.1022 - Stall Curb - 1
- 2. EX.1025 - Curb Filler - 1
- 3. EX.1268 - Hinge Wall Channel - 1
- 4. EX.1018 - Panel Wall Channel - 1
- 5. EX.1018 - Panel Sill - 1
- 6. EX.1018 - Panel Sill Horizontal - 1
- 7. EX.1018 - Panel Sill Vertical - 1
- 8. - 10. VN.4075 - Clear PVC Latch Assy - 1
- 11. - 17. Door Assembly - 1
- 18. 3/8 Fixed Panel - 1
- 19. VN.4062 - PVC Drip Deflector - 1
- 20. HA.2701 - D-Pull Handle - 1

- 21. SP.2101 - #8 X 1-1/2 FHPHMSMS - 6
- 22. SP.2217 - 3/16 X 7/8 Wall Anchor - 6
- 23. SP.2204 - Foam Plug - 2
- 24. SP.2110 - #8 X 1/2 PHPH TEK - 3
- 25. BP.3701 - Magnetic Edge Cap Assy - 1
- 27. BP.3028 - Setting Block Kit - 1
- 28. SP.2204 - Centering Clip - 5
- 29. VN.4033 - VS-20 Dry Glaze Vinyl - 3

**Extra screws may be provided
for your convenience**

- 8. VN.4075 - Clear PVC Latch Assy - 1
- 9. VN.4002 - Bulb Seal - 1
- 10. SP.2194 - Strike Plate - 1

- 11. - 17. Door Assembly EX.1165 - Hinge Jamb - 1
- 12. VN.4034 - Hinge Sleeve - 1
- 13. EX.1466 - Hinge Rail - 1
- 14. SP.2200 - Hinge Pin - 2
- 15. SP.2181 - Flat Washer - 2
- 16. SP.2123 - #6 X 1/2 PHPH MS - 2
- 17. 1/4 Door Glass - 1

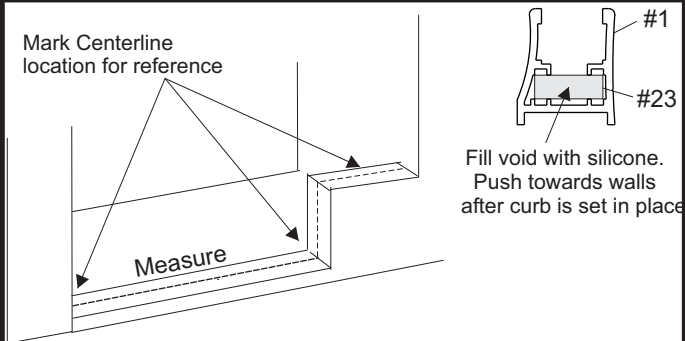
Boxed information is assembly detail.

Installation Instructions

Models: SESD180, DESD180 with Notched Panel
1/4" Semi-Frameless Door and 3/8" In-Line Panel

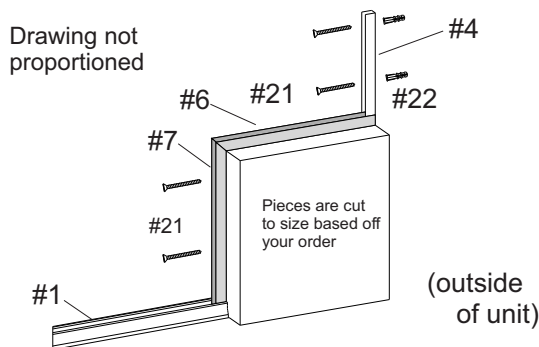
STEP 1 - Curb Installation (#1)

- * Measure the wall to face of buttress wall where you want the center of the unit to be installed.
- * Subtract 1/16" from this. Mark location for reference.
- * Cut the Stall Curb #1 to this length.
- * Insert foam plug into each end of the Stall Curb. and recess 1/8"
- * Fill 1/8" void with silicone.
- * Set the curb in place centered over where you marked.
- * Secure with blue tape.
- * Weep holes are to inside of shower.
- * Do not screw the curb to threshold.



STEP 2 - Wall Channel (#4)

- * Insert Vert. Wall Channel into curb, on face of buttress.
- * Plumb channel with a level.
- * Mark the hole locations onto the wall.
- * Remove the channel and drill marked locations with 3/16" drill bit.
- * Insert 2 - Wall Anchors #22 (may have to razor heads off anchors flush to wall).
- * Re-insert channel and secure with 2 - #21 screws.
- * Follow with the Horizontal Channel and tape in place.
- * Set Wall Channel #4 on top of the horizontal channel, plumb with a level. Mark the hole locations onto the wall.
- * Drill with a 3/16 bit. Secure with 2 - #21 screws and 3 - #22 Wall Anchors.



STEP 3 - Panel Sill (#5) and 3/8" Fixed Panel (#18)

- * Measure the lower width of 3/8" Fixed Panel and subtract 3/8".
- * Cut the Panel Sill #5, to this length.
- * Set the Panel Sill #5 into the Stall Curb #1 and butt to the Wall Channel #7.
- * Insert two Setting Blocks #27 into both horizontal Panel Sills.

Wet Glaze Option Only - If using silicone to bond the glass to the wall channel and sill:

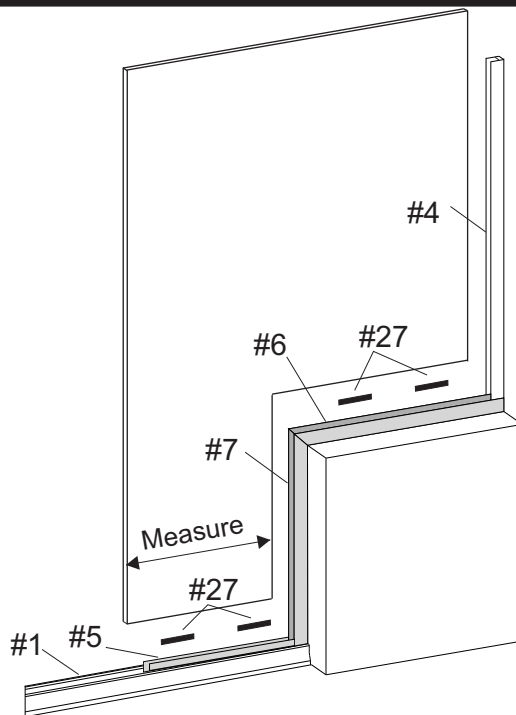
- Install 2 - #28 Centering Clips evenly spaced into Panel Sill, offset from Setting Blocks.
- Insert 3 - #28 Centering Clips into the Wall channel.

Dry Glaze Option - If using push-in glazing vinyl to set the 3/8" glass panel, do not use Centering Clips #28.

- * Set 3/8" Glass Panel into Panel Sill and Wall Channel.
- * Flush glass edge to exposed end of Panel Sill #5.
- * Adjust top of glass flush to top of Wall Channel, place additional setting blocks under glass if needed.
- * Ensure vertical edge of 3/8" Glass Panel is plumb.

Wet Glaze Option - Temporarily, but securely fix Glass Panel into position with blue painter's tape.

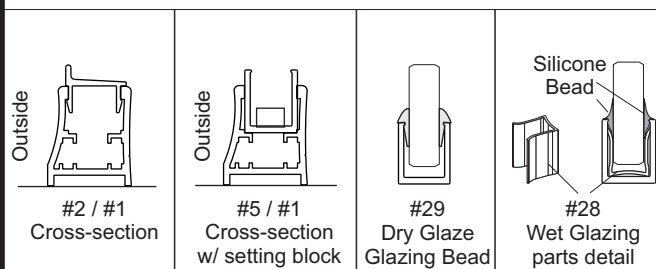
Dry Glaze Option - Holding the glass panel in position, roll or press the Glazing Bead into both sides of sill and wall channel using a roller or smooth block of wood. Check to ensure panel didn't move.



*** If using the Dry Seal, once the push in vinyl has been installed, it cannot be easily removed without being replaced.

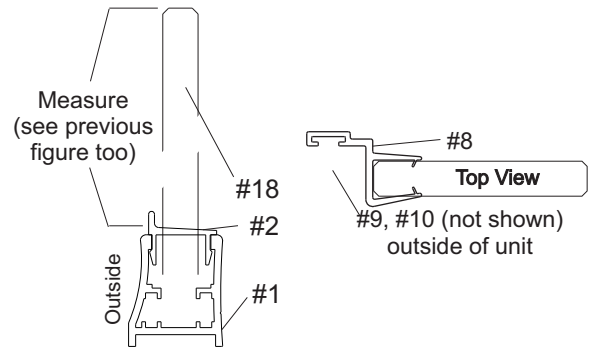
STEP 4 - Curb Filler (#2)

- * Measure from the edge of the 3/8" Glass Panel sill #5 to the Door side wall.
- * Cut the Curb Filler #2 to this length.
- * With the two forks pointing down and the vertical leg to the front of the unit, snap the Curb Filler into the Stall Curb.
- * The slope of the Curb filler should be to the inside of the shower.



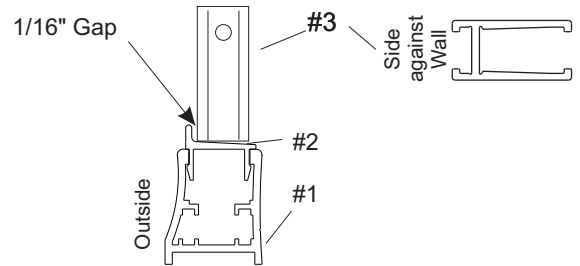
STEP 5 - Clear-Poly Latch Jamb (#8)

- * Measure from top of 3/8" Glass Panel #18 to top of the sloped surface of the Curb Filler #2.
 - * Take Clear-Poly Latch Jamb assembly, and remove the Bulb Seal and Strike Plate, set aside for later step.
 - * Cut Clear-Poly Latch #8 to above dimension using a 24 tooth hatch-saw. Power saw may damage latch.
- Recommended: notch the Clear-Poly Latch at bottom to clear the Panel Sill #5 (trim legs up 3/16").
- * Apply the Clear-Poly Latch Jamb on edge of Glass with latch inside unit ensuring it is flush with the top of the Fixed panel.



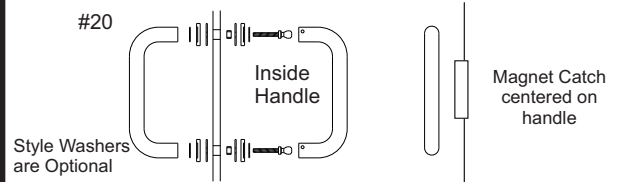
STEP 6 - Attach Door-Side Wall Channel (#3)

- * Set door-side Wall Channel #3 in place against the door side wall, on top of the Curb Filler.
- * Gap the bottom of the wall channel 1/16" from the vertical water dam of the Curb Filler (This will allow the room for the Door assembly to slide over.)
- * Plumb Wall Channel, mark the hole locations on wall and remove Wall Channel.
- * Drill holes with 3/16" bit, insert 3 - #22 Wall Anchors, re-install
- * Wall channel and secure with 3 - #21 Screws.



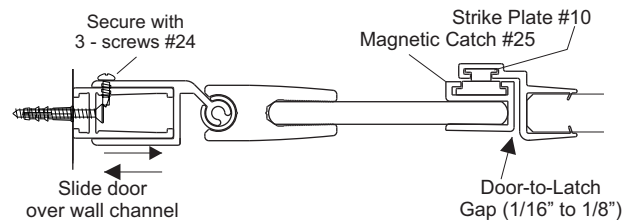
STEP 7 - Door Assembly / Pre-Hanging Prep

- * Attach Pull - Handle #20 to Door.
- * Dry run the position of Magnetic Catch Assembly, #25, #26 and mark location with marker on glass.
- * Apply small bead of silicone inside Catch Assembly and work onto edge of glass at mark. Let silicone dry.



STEP 8 - Hang Door Assembly

- * Slide door assembly over the Wall Channel. (Step 6)
- * Adjust door until top edge of the door is level and flush with top of 3/8" Glass Panel.
- * Also ensure door-to-latch gap is consistent from bottom to top.
- * When aligned, secure Door Assembly to Wall Channel with 3 - #24 screws using factory pilot holes in the Hinge Jamb.

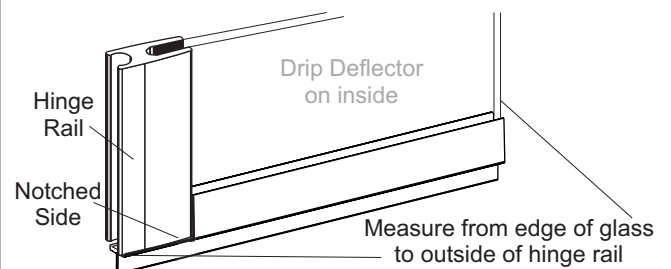


Finish Latch

- * Temporarily slide Strike Plate #10 into Clear-Poly Latch #8, align with Magnetic Catch #25.
- * Mark top and bottom of Strike Plate onto Latch.
- * Mark and cut Bulb Seal #8 to proper length.
- * From top of latch, re-insert bottom bulb seal, strike and top seal. Dabs of silicone may be required to secure Bulb Seals and Strike in place. Hold with Painters tape while drying.

STEP 8 - Bottom Sweep Fitting (#19)

- * Measure the Door Glass including Hinge Rail.
- * Subtract 1/16" and cut the Bottom sweep to this length.
- * IMPORTANT: The sweep is notch on both ends. You must leave the notch that goes under the Hinge Rail for your door. Cut off the end with the notch you don't need. Trim the inside deflector 3/8" so it will clear the Latch Jamb when door is closed.



STEP 10 - Final Sealing / Siliconing the Unit (let dry for 24 hours before use)

- * On the outside of the unit, run a bead of silicone down both walls and across the bottom where the metal meets the walls and base. Apply a dab of silicone at the bottom of the latch jamb where it meets the Curb Filler.

Page intentionally left blank