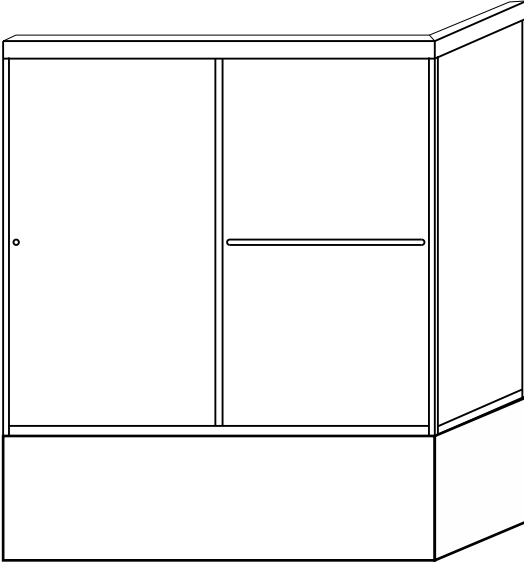


## Installation Instructions for

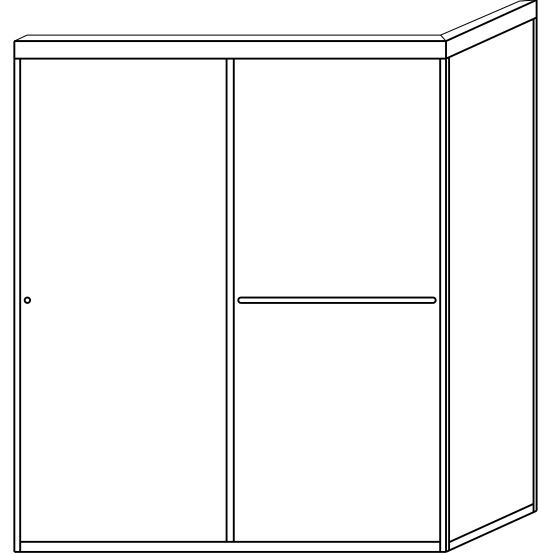
1/4" Door Models: **SSE/STE180 or DSE/DTE180**  
3/16 Framed Models: **BSE/BTE180 or FSE/FTE180**  
3/16" Door Models: **VSE/VSE180 or CSE/CTE180**

**FIRST STEPS** - Identify the model number of your unit.

- Look on the white shipping label on the outer cardboard box.
- **Model number** on label should correspond to one listed above.



STE/DTE  
VTE/CTE  
BTE/FTE



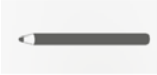
SSE/DSE  
VSE/CSE  
BSE/FSE

### NOTE:

- Installation procedures are the same for tub or shower height units
- The images in this manual show an arrangement with the showerhead to the left. The same instructions apply for the opposite orientation where the examples would be reversed.

### Required Tools

\* Pencil or water soluble felt pen



\* Hacksaw with 24 tooth blade



\* Metal file (smooth sharp edges)



\* Tape measure



\* Clear 100% Silicone (recommended)



\* #2 Phillips Screw driver



\* 1/8" 3/16", drill bits (carbide for tile)



\* Caulking gun



\* Drill, electric or battery



\* 4 ft. Level



\* Rubber mallet



\* Razor knife



P/N MM.5039  
rev061920

# READ ENTIRE MANUAL BEFORE INSTALLATION AND OPERATION

## Warnings and General Shower Door Information



**SAFETY  
WARNINGS:**



**READ AND FOLLOW INSTRUCTIONS:** Failure to follow all instructions, warnings and guidelines may result in serious injury or death, may cause water damage, and will void the terms of your warranty.

## General Safety and Installation Policies

### Before Installation:

- **Proper Size:** Ensure the enclosure is the proper size for your opening prior to beginning installation.
- **Safe Installation:** Some units may require two or more people to safely install the enclosure properly.
- **Packaging:** It is recommended to retain all packaging and other materials until installation is complete in the event of a return.
- **Inspect:** Installer should inventory all parts or components and inspect them for damage prior to beginning installation.
- **Sharp Edges:** Exposed ends of aluminum and other hard components can be rough, sharp or jagged due to the processes of cutting, drilling, notching, etc. Sharp ends must be deburred, smoothed or rounded by the installer before installation.
- **Safety equipment and tools:** Have all necessary safety equipment (glasses and gloves) and proper tools for the installation. The installer is responsible for determining the correct drill bit(s) for the installation.
- **New Tile:** We recommend that you allow at least 2 days (48 hours) for the tile cement and grout to dry before installing enclosure.

### During Installation



- **Proper backing:** Shower doors are heavy. Therefore, glazing channels, fillers, hinges and headers blocks (structural components) should be secured to studs or solid backing beneath the tile or decorative substrate. Fasteners should screw directly into the backing. Wall anchors are provided primarily to separate screws from tile to reduce the possibility of cracking.

- **Tempered glass:** Glass can break. Shower door panels are tempered to ASTM C1048 specifications as required by building codes. Glass is tempered to greatly increase its strength and to make it fragment into smaller and lighter pieces reducing the possibility of injury in the event that the glass does break. Tempered glass will break and may cause bodily injury if you attempt to cut, drill, mill or alter it in any way. Care must be taken when handling tempered glass. Pay special attention to protect all edges of the glass from contact with hard surfaces.
- **Horizontal surfaces and installation holes:** Avoid drilling into the horizontal surfaces of tubs or showers unless it is required for the structural integrity of the unit. If you drill into horizontal surfaces, always generously caulk the holes, anchors, screws and on top of the screw head. If this is not done, or is done improperly, water damage can occur under the tile or substrate.
- **Weep holes in horizontal channels:** Drilling 3/8" weep holes on the inside of horizontal channels is recommended to allow any moisture build-up inside a channel to exit the channel. Due to varying installation conditions and installer's/owner's personal preference, however, we do not drill them in the factory.
- **Sliding and swinging glass doors:** A door may be improperly installed if it hits or scrapes against bathroom obstructions (toilets or cabinets) or any metal or glass components of the shower door itself. This could lead to glass breakage or serious injury. The installer must correct the deficiencies before allowing the door to be used.
- **Surface conditions:** Most shower door designs allow for out-of-square or unlevel installation. Generally, any outage more than 3/8" that was not identified during the ordering process is outside of these allowances and can result in an improper installation.

### Caulking/Siliconing the Unit:

- Always clean all contact surfaces before caulking and use a high grade 100% silicone for best results.
- After installation, at a minimum, caulk the entire outside perimeter of the unit where the unit touches walls, sills, and step-ups, etc. Also caulk any vertical joints between metal components where water build-up inside of the channels could leak out.

### After Installation:

- **Curing times:** Adhere to manufacturers' recommended curing times for VHB tapes, silicones and any other adhesives, coatings or chemicals used during installation. Unless otherwise stated, it is recommended to wait 72 hours before using the enclosure.
- **Normal wear and tear:** Although these enclosures are designed to last for years, certain items (such as the polycarbonate seals and door sweeps) may need to be replaced as they show signs of aging and wear.

## General Disclaimers

- **Shower Doors are not watertight:** Consumers should understand that a shower door is not watertight. The amount of water that can escape your shower can vary greatly based on shower/tub size, configuration of shower head(s), type of thresholds and drains and by the type of shower door itself. Heavy glass units with no or limited vinyl seals, for example, can allow water to escape under normal conditions. Doors with more metal and seals generally provide more water protection. Excessive water pressure or directing shower heads or hand held sprays directly at doors or joints is not a normal shower conditions and can result in leaks.
- **Towel bars, handles and accessories** are in no way considered to be grab bars or other bracing or fall prevention mechanisms. The intent of these accessories is to facilitate proper operation or enhance the esthetics and functionality of the unit.

## Owners Manual:

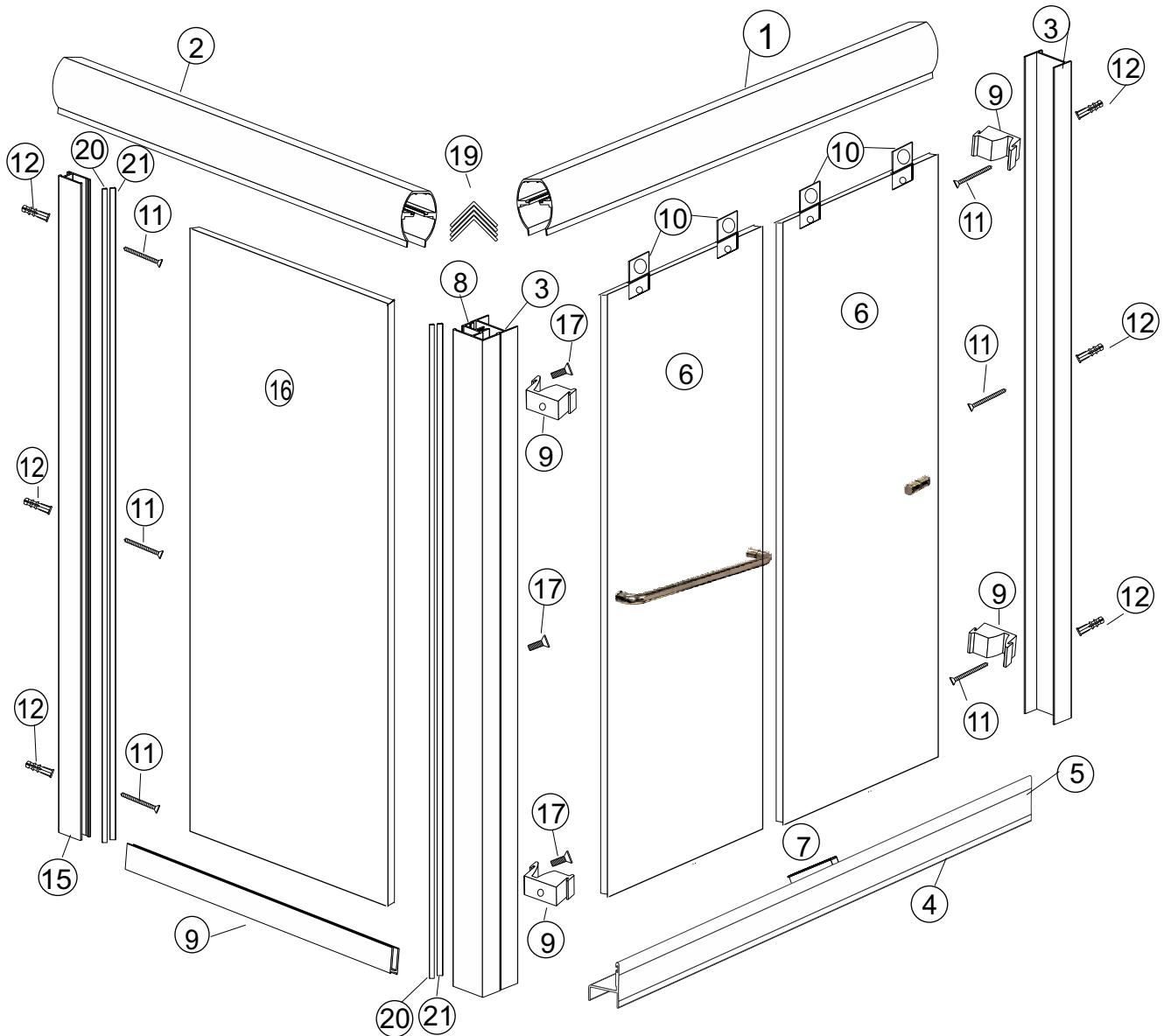
Refer to your Owners Manual for general installation and cleaning and care instructions. If a copy of the Owners Manual was not included, you can download one on the RESOURCES page of our website.

## Questions or Comments:

1-800-843-3332

# Parts Diagram for DSE, DTE, SSE or STE

(Installation procedure is the same regardless of height of unit)



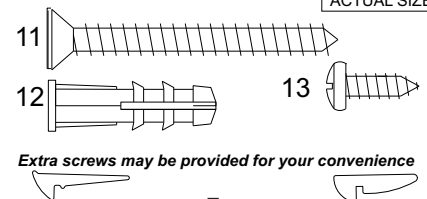
## Parts List

Item	Part#	Description	QTY
1	EX.1049	Right Tub Header	1
2	EX.1049	Left Tub Header	1
3	EX.1051	Tub Jamb	2
4	EX.1062	Stay Clean Sill	1
5	VN.4032	T-Fin	1
6		Sliding Glass Panel	2
7	BP.3541	AVG-3 Center Guide	1
8	EX.1160	90 Tub Jamb	1
9	EX.1018	Panel Sill	

Item	Part#	Description	QTY
9	BP.3541	Bumper Guides	4
10	SP.2256	Hanger Brkts	4
11	BP.3027	#8 X 1 1/2 FHPHMS	6
12	BP.3027	Wall Anchor	6
13	BP.3027	#6 X 3/8 PH	3
14	HA.27XX	Towel Bar/Screw kit	1
15	EX.1268	Wall Channel	1
16		90 Fixed Panel	1
17	SP.2106	#8-32 X 1/2 FH	3

Item	Part#	Description	QTY
18	BP.3000	Anti jump Bag	1
19	SP.xxxx	90 Tub Header Clips	4

ACTUAL SIZE



## Optional Parts

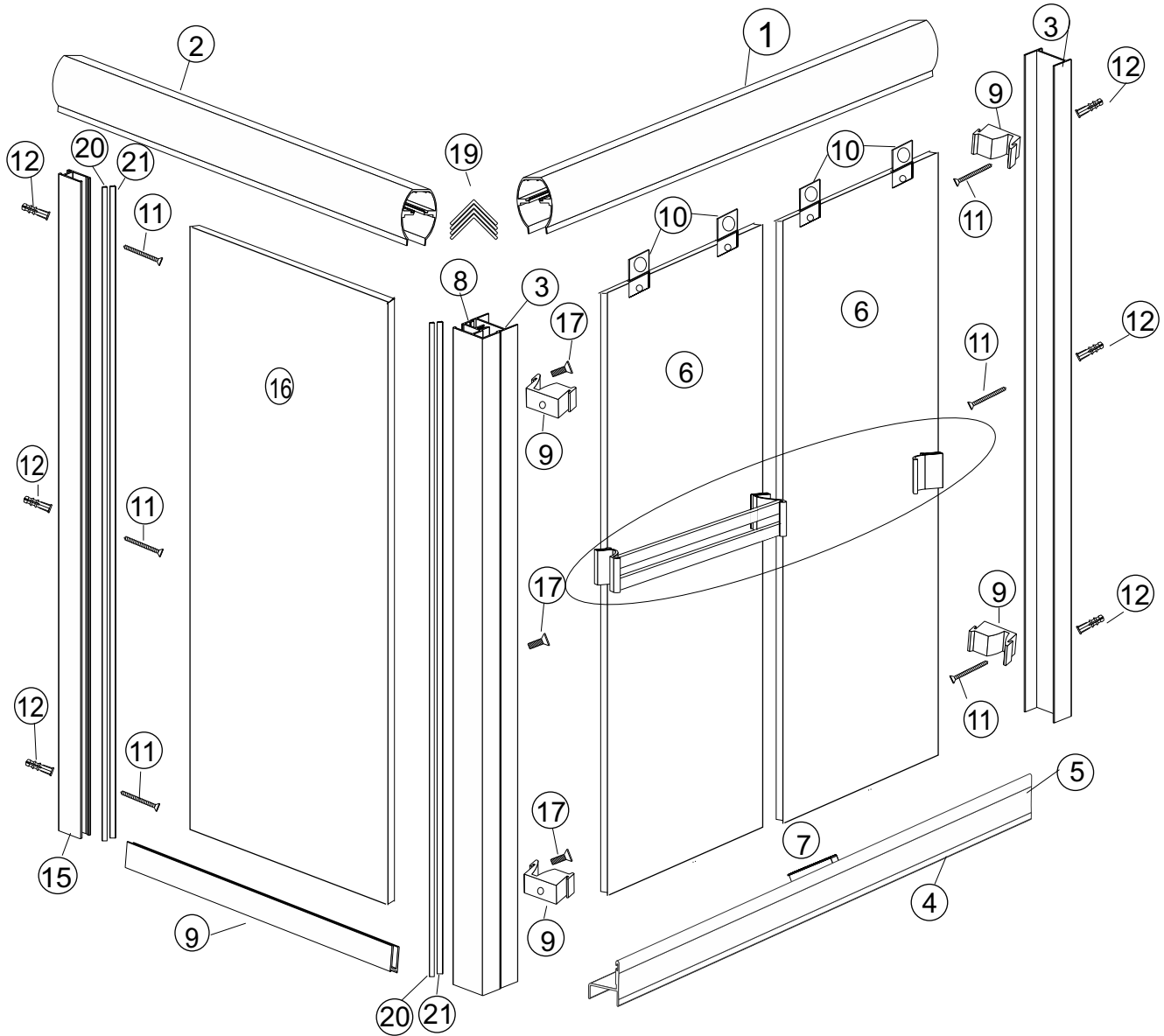


Optional Towel Bar - BP.3214

Optional Towel Bar BP.3214 (at left) installation steps are on page 8

# Parts Diagram for CSE, CTE, VSE or VTE

(Installation procedure is the same regardless of height of unit)



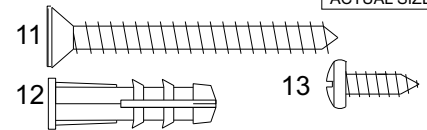
## Parts List

Item	Part#	Description	QTY
1	EX.1049	Right Tub Header	1
2	EX.1049	Left Tub Header	1
3	EX.1051	Tub Jamb	2
4	EX.1062	Stay Clean Sill	1
5	VN.4032	T-Fin	1
6		Sliding Glass Panel	2
7	BP.3541	AVG-3 Center Guide	1
8	EX.1160	90 Tub Jamb	1
9	EX.1018	Panel Sill	

Item	Part#	Description	QTY
9	BP.3541	Bumper Guides	4
10	SP.2256	Hanger Brkts	4
11	BP.3027	#8 X 1 1/2 FHPHMS	6
12	BP.3027	#6 X 3/8 PH	3
13	HA.27XX	Towel Bar/Screw kit	1
14	EX.1268	Wall Channel	1
15		90 Fixed Panel	1
16		90 Fixed Panel	1
17	SP.2106	#8-32 X 1/2 FH	3

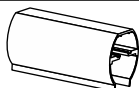
Item	Part#	Description	QTY
18	BP.3000	Anti jump Bag	1
19	SP.xxxx	90 Tub Header Clips	4

ACTUAL SIZE



Extra screws may be provided for your convenience

## Optional Parts



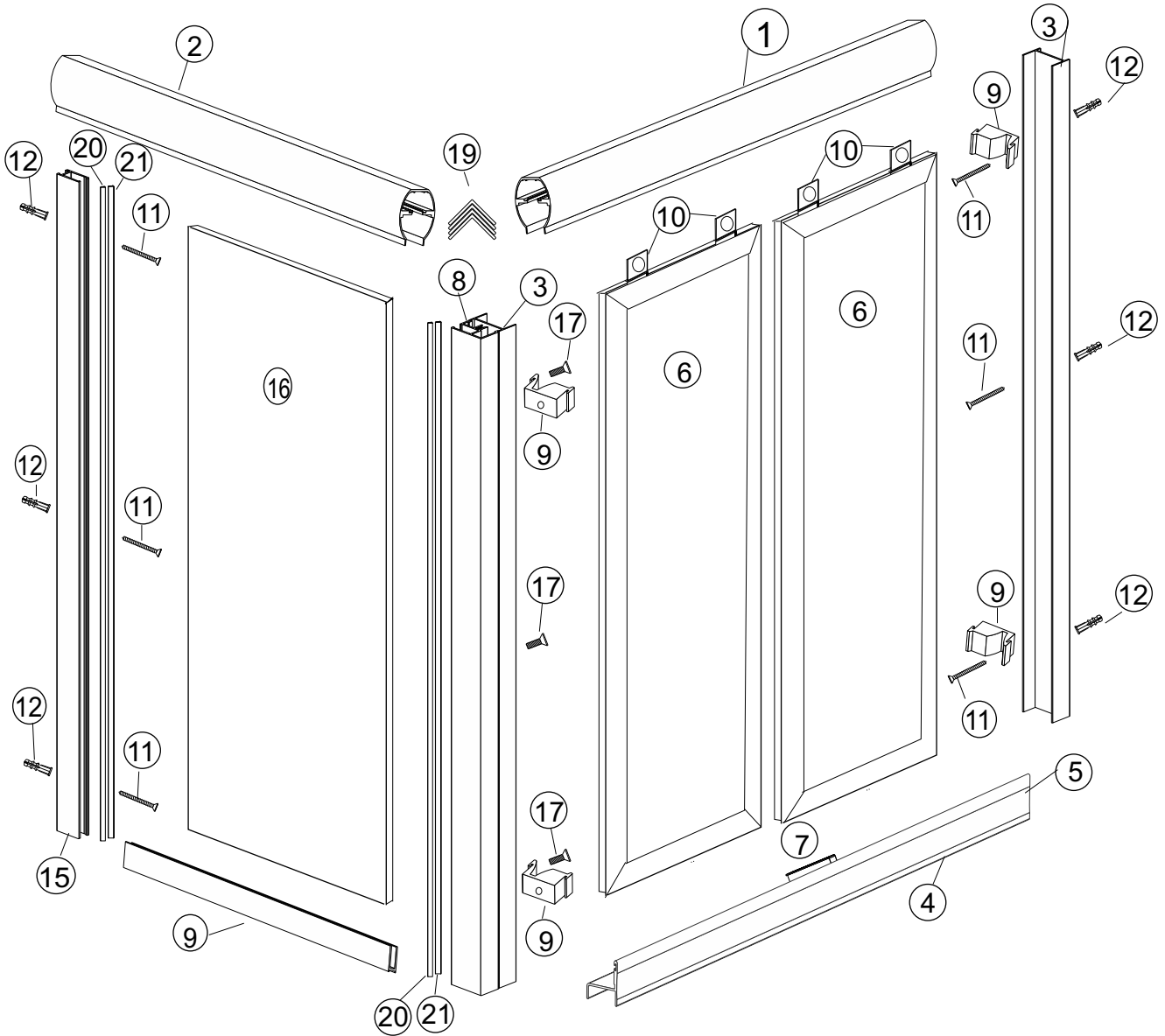
EX.1049 Tub Header (at left) is standard on CSE and CTE and optional on VSE and VTE



EX.1040 Tub Header (at left) is standard on VSE and VTE and optional on CSE and CTE

# Parts Diagram for BSE, BTE, FSE or FTE

(Installation procedure is the same regardless of height of unit)



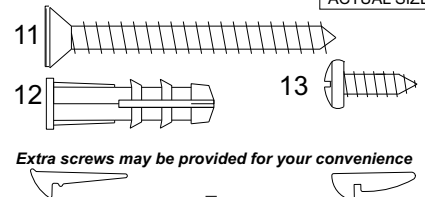
## Parts List

Item	Part#	Description	QTY
1	EX.1049	Right Tub Header	1
2	EX.1049	Left Tub Header	1
3	EX.1051	Tub Jamb	2
4	EX.1062	Stay Clean Sill	1
5	VN.4032	T-Fin	1
6		Sliding Glass Panel	2
7	BP.3541	AVG-3 Center Guide	1
8	EX.1160	90 Tub Jamb	1
9	EX.1018	Panel Sill	

Item	Part#	Description	QTY
9	BP.3541	Bumper Guides	4
10	SP.2256	Hanger Brkts	4
11	BP.3027	#8 X 1 1/2 FHPHMS	6
12	BP.3027	Wall Anchor	6
13	BP.3027	#6 X 3/8 PH	3
14	HA.27XX	Towel Bar/Screw kit	1
15	EX.1268	Wall Channel	1
16		90 Fixed Panel	1
17	SP.2106	#8-32 X 1/2 FH	3

Item	Part#	Description	QTY
18	BP.3000	Anti jump Bag	1
19	SP.xxxx	90 Tub Header Clips	4

ACTUAL SIZE



Extra screws may be provided for your convenience

## Optional Parts



EX.1049 Tub Header (at left) is standard on CSE and CTE and optional on VSE and VTE



EX.1040 Tub Header (at left) is standard on VSE and VTE and optional on CSE and CTE

# Installation Instructions

## All Models

### STEP - 1 Centerline:

Locate the center of the threshold and mark it with a water soluble marker. Please note to the right that the 90 fixed panel sets 7/16" in

front of the centerline Set #9 Panel sill in place butted into the wall. Set #15 Wall Channel on top of the panel sill as shown and anchor with 3 - 1 1/2 screws #11 and #12 wall anchors.

### STEP - 2 - 90 Fixed Panel

Set the #16 fixed panel in place in the panel sill and wall channel, glaze the final edge with the #8 90 Tub Post.

### STEP -3 - Stay Clean Sill

Attach #8 180 Post to a #3 Tub Jamb as shown on page 6 exploded view. Measure the distance A, the distance between the tub jambs and deduct 7/16" and cut to size.

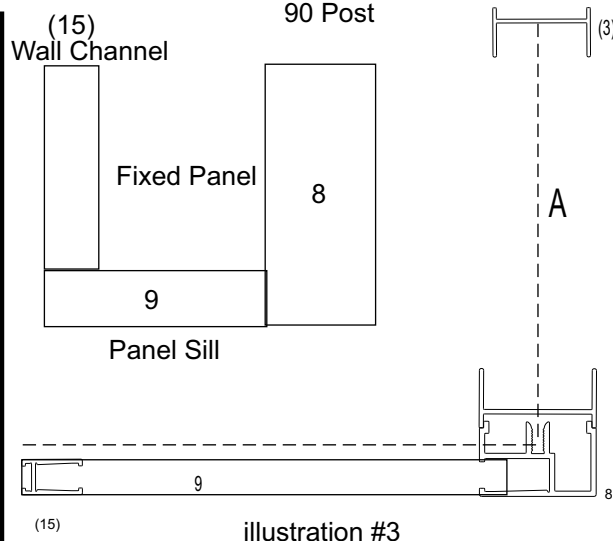
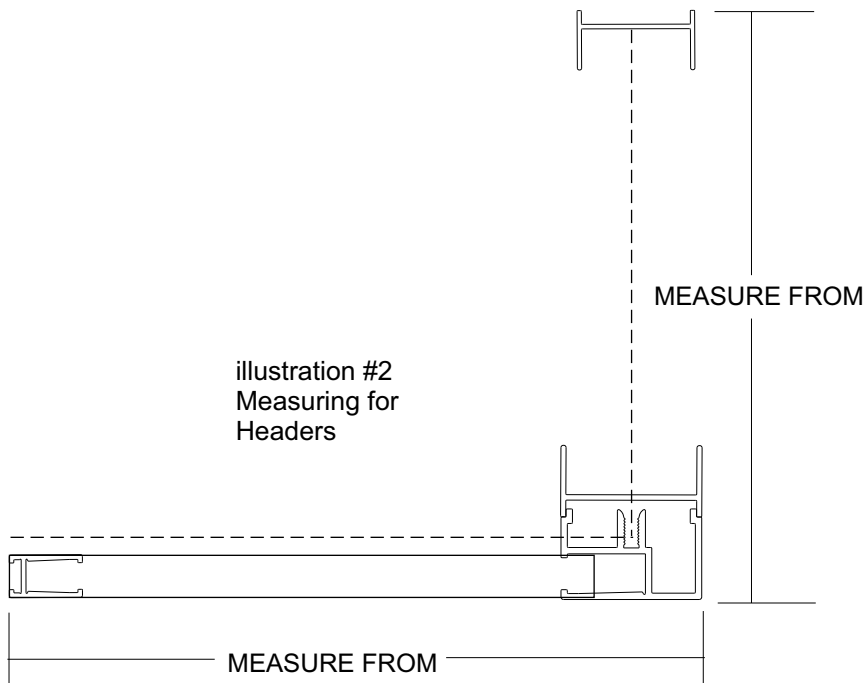
Drill an 1/8 hole for the center guide. Do not attach center guide at this time. Place the Stay Clean Sill #2 directly over and parallel to the centerline. Hold in place with Painters tape.

### STEP - 4 Shower Head Jamb

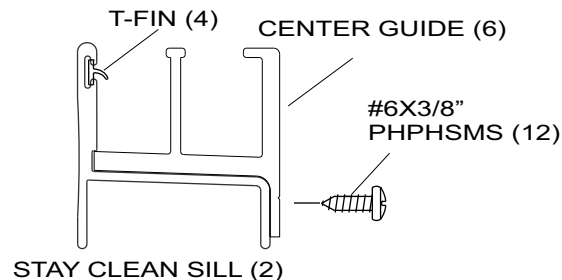
Install the Tub Jamb #3 opposite the fixed panel wall. With a level, plumb the Tub Jamb and mark only the bottom factory hole location.

Drill the hole with a 3/16 drill bit (Carbide bit for tile) and insert 1 Wall Anchor #12. Insert 1 bumper guide and secure w/ 1 -#8 X 1 1/2 FHPHSMS into the bottom hole. Orient bumper guide crevice to the

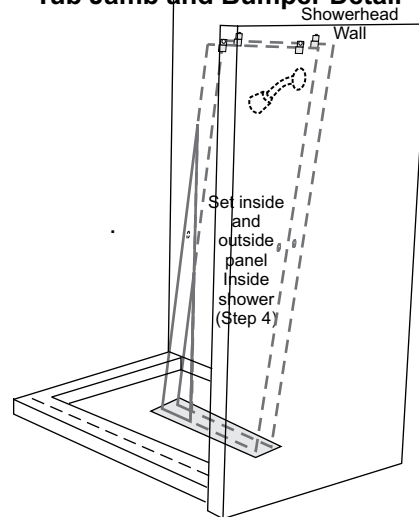
outside of the shower, tighten until snug.



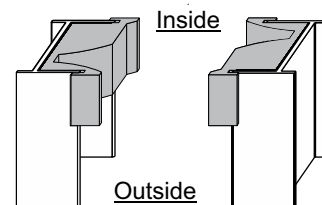
### Sill Detail



### Tub Jamb and Bumper Detail



### Bumper Guide Orientation Detail for showerhead right →



Reverse above orientation for showerhead left

# Installation Instructions

## All Models

### STEP - 5 Tub Header

Measure from outside of 90° Post to each wall and add 1/4" to the straight cut ends and cut to size. See Illustration #2 previous page.

Insert 4 - Header clips as shown in Ill #4. Drill 1/8" hole between the clips and insert #6 X 3/8 PH screws to force the clips apart and hold the miter together. Test fit header

Drill a 1/8" hole at each end on the inside. Screw size is #6 X 3/8 PH #13 Find Parts Bag BP.3000.NTL - Anti-Jump Runners 17 and follow installation instructions

*NOTE: Use of runners are encouraged, but optional, and must be ordered separately on some units*

Place inside glass panel (Knob Panel) inside the shower or tub stall. Ensure the rollers are facing the wall and knob hole is opposite the shower head. Lean against the back wall. Use pad to protect the glass/tile from damage. Also, place the outside panel, rollers facing out.

- Set header in place over the Tub Jambs but do not secure at this time.

### STEP - 6 - Panel Installation:

Make sure that the Tub Jamb opposite the showerhead (only one screw) is snug, and secured with painters tape

Hang outside glass panel (Towel Bar Panel) in place inside the header and slide to the 90° Post

Install the inside panel and slide to shower head wall.

Ensure rollers on both panels are fully seated into the header tracks

Install the Center Guide (6) and securing it with one #6x3/8" MS (13).

### STEP - 7- Tub Jamb Adjustment and fastening:

Standing outside the shower, move the sliding panels one at a time into the proper side of unit

Adjust the header side to side (you will have to remove and reapply painter's tape) until both panels pocket perfectly into both Tub Jambs

Mark the remaining two holes of the Tub Jamb onto the wall opposite the showerhead

Slide both panels back to the showerhead Tub Jamb. Remove the Center Guide

Remove both sliding panels and set them in a safe place on a padded surface

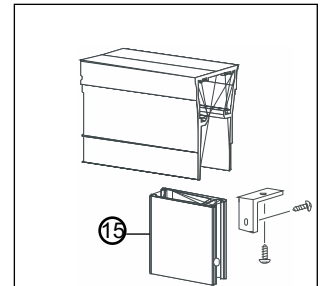
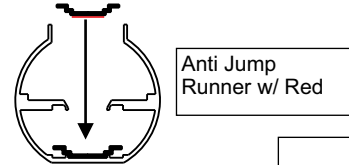
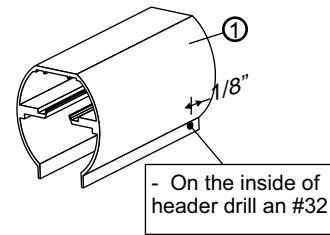
Rotate the Tub Jamb out of the way just far enough to reveal the marked holes and drill the holes with a 3/16" drill bit

Insert two Wall Anchors (11)

Re-align Tub Jamb and secure with two #8 X 1-1/2" FPHSMS (10). install the top Bumper Guide (7) with the top screw

Reinstall both of the sliding glass panels as you did earlier in the last step, then reinstall the Center Guide

Tub Header Detail



Drill 1/8" holes between the clips and insert screw to force them apart

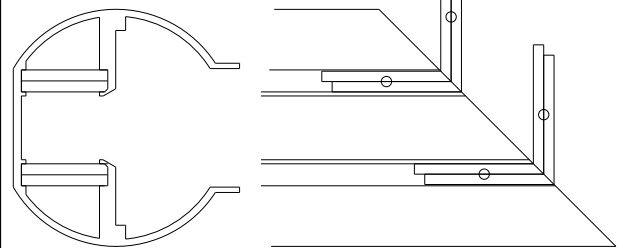
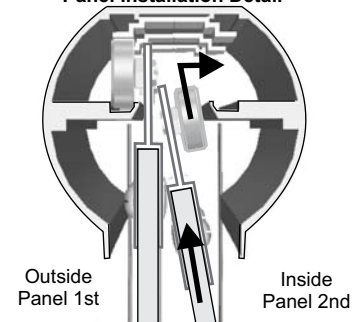


Illustration #4 Header Miters together

Panel Installation Detail



# Installation Instructions

## All Models

### SPEP 8 - TOWEL BAR INSTALLATION

See page 9 or refer to the installation instructions provided with your towel bar kit

### STEP 9 - PANEL ADJUSTMENT:

To adjust the sliding panels for out-of-square wall conditions or to level them, etc., locate the hex nuts in the Hanger Brackets (10) and the Adjustment Wrench provided in the parts kit.

-----  
**NOTE: The panels can be adjusted while still hanging in the header.**

-----  
Loosen the hex nut with the special wrench until roller can slide along the angled slot on the Hanger Bracket (10)  
Raise or lower each side of the panel by sliding the roller along the angled slot until desired adjustment is achieved  
Be sure to re-tighten the screws.

### STEP 10- HEADER ATTACHMENTS:

Secure the Header to the Tub Jambs by drilling through the holes in the header, from the inside of the shower, into the Tub Jambs with a 1/8" drill bit.

Secure with two #6 X 3/8" PHPHMS (Item #13) as shown in illustration #8.

### STEP 11 - SEALANT:

Remove all Painter's Tape used during the installation

Starting at the top of a tub jamb, apply a bead of sealant along the entire outside of the enclosure where it meets the wall and base. End at the top of opposite tub jamb

Additional sealant is needed at the bottom corners where the Tub Jambs meet the Stay Clean Sill:

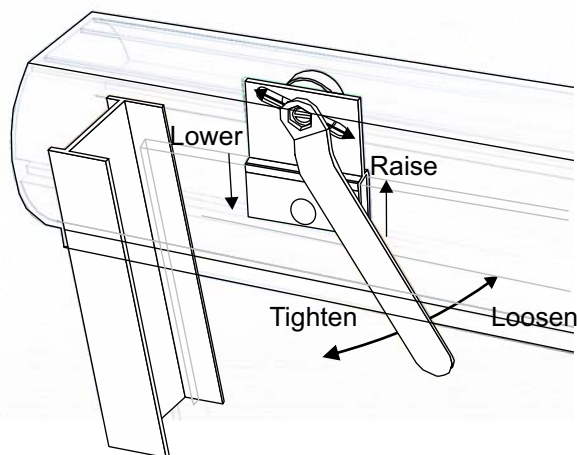
- Starting from the outside caulk the vertical joint between the tub jamb and sill.

- Move inside the shower and continue to caulk this joint until you finish the run where the vertical joint meetings the threshold on the inside.

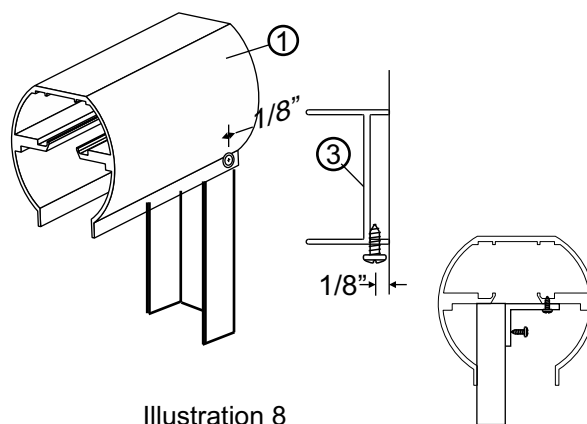
- These joints must be totally sealed for a leak proof and structurally secure installation.

NOTE: For optimum results allow the sealant to dry for 24 hours before running the shower.

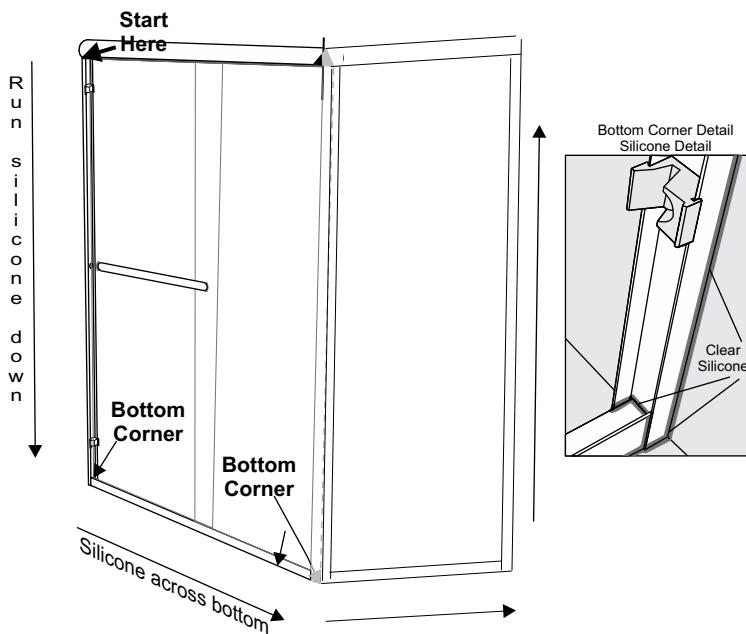
Panel Adjustment Detail



Header Attachment Detail



Sealant Detail



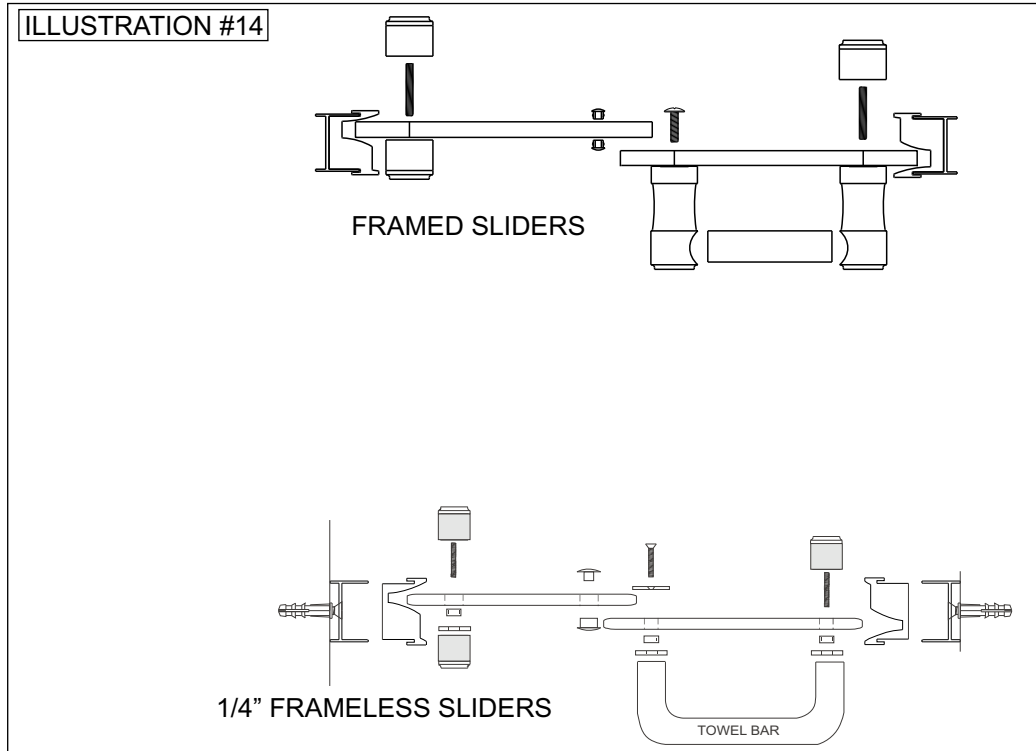


## STEP 6

### TOWEL BARS & PULLS:

The inside sliding panel, when closed, must be at the shower head wall so that it can deflect water away from the overlap of the panels at the center of the enclosure. Thus, the outside panel must be away from the shower head wall when closed. See illustration #9 below. The towel bar installation instructions should be in the kit with the towel bars and finger pulls.

This top view shows the towel bar and pull locations for a shower head that is on the left wall. If the shower head is on the right the panels would be reversed.



## STEP 7

### PANEL ADJUSTMENT:

If either of the sliding panels is skewed or rubs against the sill, adjust the panels by loosening the hex nut on any of the Hanger Brackets with the Adjustment Wrench, provided in the parts kit. Be sure to re-tighten the screws. **NOTE: The panels can be adjusted while still hanging in the header.** Secure the Header to the Tub Jambs by inserting #6 X 3/8" PHPHSMS through the holes in the header and tub jambs(step #3) from the inside of the shower. **BE CAREFUL NOT TO DRILL OR SCREW INTO THE GLASS PANELS.** Tighten with a #2 phillips screwdriver or reduce the torque on the drill to prevent damage to the screws.



### SAFETY WARNING:

Improper screw placement could cause damage to the glass.

## STEP 8

### SEALANT:

Apply a bead of sealant along the entire outside of the enclosure where it meets the wall and base. Pay special attention at the bottom corners where the Tub Jambs meet the Stay Clean Sill. These joints must be totally sealed for a leak proof installation.

### NOTE:

You may have unused items leftover depending on the desired configuration selected. For installation and technical support please reference the shipping document, the box the product was shipped in, or call the store where you purchased the product.