

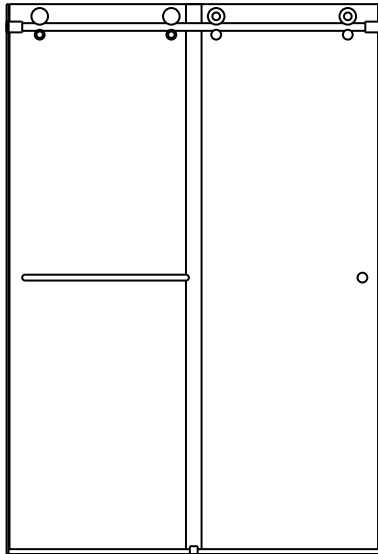
# Installation Instructions for 3/8" Frameless Slider: **TRBTE/TRBSE or ECBTE/ECBSE**

BP.5003.NTL - TR/EC ByPass Slider Add-On  
Pack

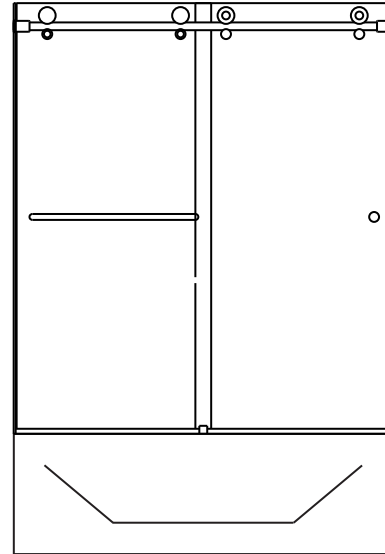


## FIRST STEPS - Identify the model number of your unit.

- Look on the white shipping label on the outer cardboard box.
- **Model number** on label should correspond to one listed above.



**TRBSE  
ECBSE**  
Shower Slider



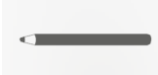
**TRBTE  
ECBTE**  
Tub Slider

### NOTE:

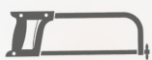
- Installation procedures are the same for tub or shower height units
- The images in this manual show an arrangement with the showerhead to the right. The same instructions apply for the opposite orientation where the examples would be reversed.

### Required Tools

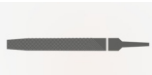
\* Pencil or water soluble felt pen



\* Hacksaw with 24 tooth blade



\* Metal file (smooth sharp edges)



\* Tape measure



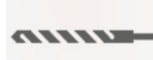
\* Clear 100% Silicone (recommended)



\* #2 Phillips Screw driver



\* 3/16", 1/4", 3/8" drill bits (carbide for tile)



\* Caulking gun



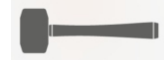
\* Drill, electric or battery



\* 4 ft. Level



\* Rubber mallet



\* Razor knife



P/N MM.5003  
rev061920

# READ ENTIRE MANUAL BEFORE INSTALLATION AND OPERATION

## Warnings and General Shower Door Information



**SAFETY  
WARNINGS:**



**READ AND FOLLOW INSTRUCTIONS:** Failure to follow all instructions, warnings and guidelines may result in serious injury or death, may cause water damage, and will void the terms of your warranty.

## General Safety and Installation Policies

### Before Installation:

- **Proper Size:** Ensure the enclosure is the proper size for your opening prior to beginning installation.
- **Safe Installation:** Some units may require two or more people to safely install the enclosure properly.
- **Packaging:** It is recommended to retain all packaging and other materials until installation is complete in the event of a return.
- **Inspect:** Installer should inventory all parts or components and inspect them for damage prior to beginning installation.
- **Sharp Edges:** Exposed ends of aluminum and other hard components can be rough, sharp or jagged due to the processes of cutting, drilling, notching, etc. Sharp ends must be deburred, smoothed or rounded by the installer before installation.
- **Safety equipment and tools:** Have all necessary safety equipment (glasses and gloves) and proper tools for the installation. The installer is responsible for determining the correct drill bit(s) for the installation.
- **New Tile:** We recommend that you allow at least 2 days (48 hours) for the tile cement and grout to dry before installing enclosure.

### During Installation



- **Proper backing:** Shower doors are heavy. Therefore, glazing channels, fillers, hinges and headers blocks (structural components) should be secured to studs or solid backing beneath the tile or decorative substrate. Fasteners should screw directly into the backing. Wall anchors are provided primarily to separate screws from tile to reduce the possibility of cracking.

- **Tempered glass:** Glass can break. Shower door panels are tempered to ASTM C1048 specifications as required by building codes. Glass is tempered to greatly increase its strength and to make it fragment into smaller and lighter pieces reducing the possibility of injury in the event that the glass does break. Tempered glass will break and may cause bodily injury if you attempt to cut, drill, mill or alter it in any way. Care must be taken when handling tempered glass. Pay special attention to protect all edges of the glass from contact with hard surfaces.
- **Horizontal surfaces and installation holes:** Avoid drilling into the horizontal surfaces of tubs or showers unless it is required for the structural integrity of the unit. If you drill into horizontal surfaces, always generously caulk the holes, anchors, screws and on top of the screw head. If this is not done, or is done improperly, water damage can occur under the tile or substrate.
- **Weep holes in horizontal channels:** Drilling 3/8" weep holes on the inside of horizontal channels is recommended to allow any moisture build-up inside a channel to exit the channel. Due to varying installation conditions and installer's/owner's personal preference, however, we do not drill them in the factory.
- **Sliding and swinging glass doors:** A door may be improperly installed if it hits or scrapes against bathroom obstructions (toilets or cabinets) or any metal or glass components of the shower door itself. This could lead to glass breakage or serious injury. The installer must correct the deficiencies before allowing the door to be used.
- **Surface conditions:** Most shower door designs allow for out-of-square or unlevel installation. Generally, any outage more than 3/8" that was not identified during the ordering process is outside of these allowances and can result in an improper installation.

### Caulking/Siliconing the Unit:

- Always clean all contact surfaces before caulking and use a high grade 100% silicone for best results.
- After installation, at a minimum, caulk the entire outside perimeter of the unit where the unit touches walls, sills, and step-ups, etc. Also caulk any vertical joints between metal components where water build-up inside of the channels could leak out.

### After Installation:

- **Curing times:** Adhere to manufacturers' recommended curing times for VHB tapes, silicones and any other adhesives, coatings or chemicals used during installation. Unless otherwise stated, it is recommended to wait 72 hours before using the enclosure.
- **Normal wear and tear:** Although these enclosures are designed to last for years, certain items (such as the polycarbonate seals and door sweeps) may need to be replaced as they show signs of aging and wear.

## General Disclaimers

- **Shower Doors are not watertight:** Consumers should understand that a shower door is not watertight. The amount of water that can escape your shower can vary greatly based on shower/tub size, configuration of shower head(s), type of thresholds and drains and by the type of shower door itself. Heavy glass units with no or limited vinyl seals, for example, can allow water to escape under normal conditions. Doors with more metal and seals generally provide more water protection. Excessive water pressure or directing shower heads or hand held sprays directly at doors or joints is not a normal shower conditions and can result in leaks.
- **Towel bars, handles and accessories** are in no way considered to be grab bars or other bracing or fall prevention mechanisms. The intent of these accessories is to facilitate proper operation or enhance the esthetics and functionality of the unit.

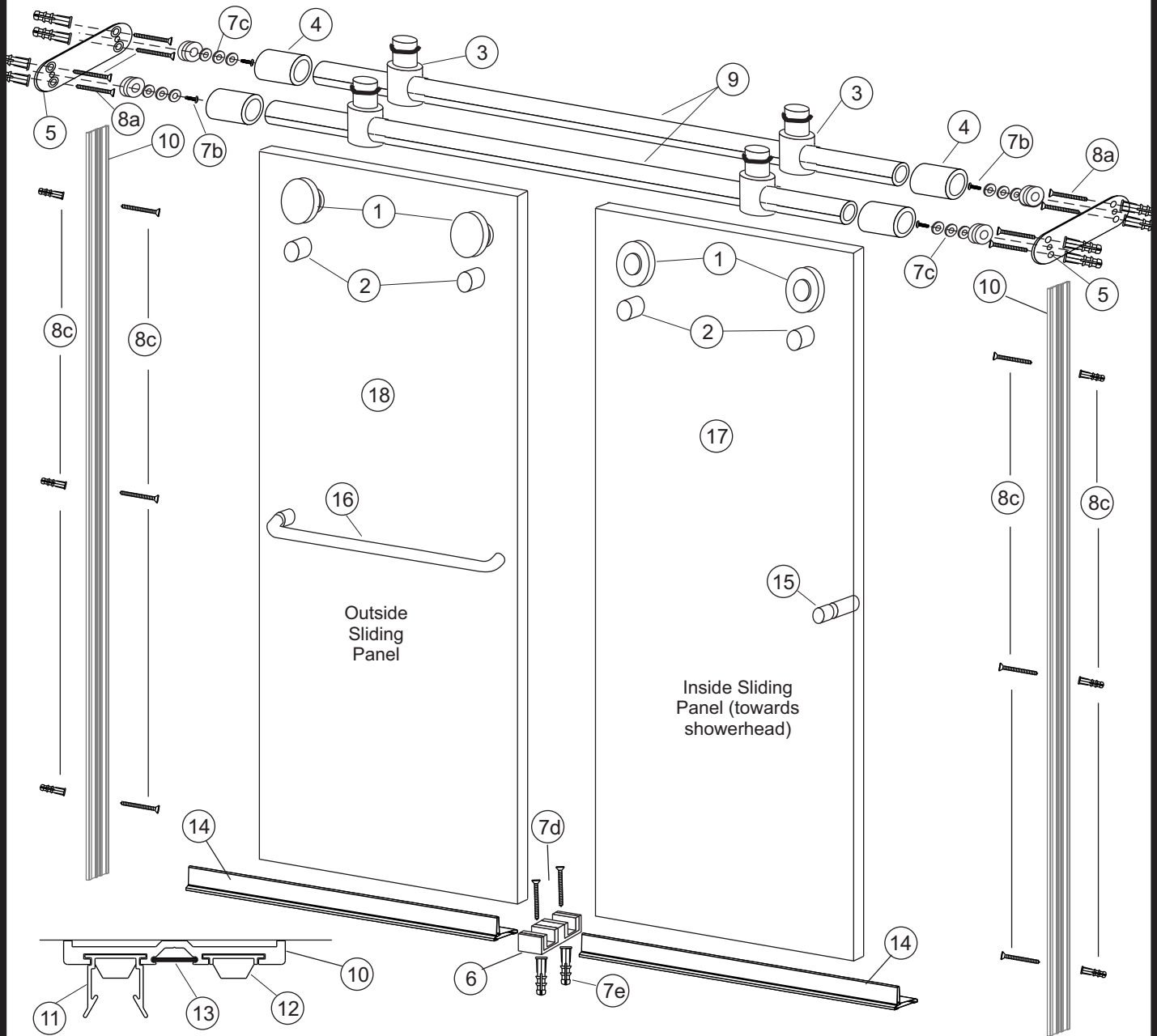
## Owners Manual:

Refer to your Owners Manual for general installation and cleaning and care instructions. If a copy of the Owners Manual was not included, you can download one on the RESOURCES page of our website.

## Questions or Comments:

1-800-843-3332

Installation Instructions  
**Models: TRBTE / TRBSE**  
**ECBTE / ECBSE**  
 3/8" Frameless Slider



**Parts List**

**HA.3102 HARDWARE PART BOX**

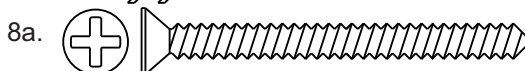
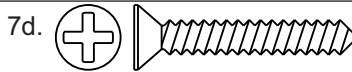
- 1. HA.3001 - Roller Wheels ----- 4
- 2. HA.3002 - Anti Jump Posts ----- 4
- 3. HA.3003 - Bumper Stops ----- 4
- 4. HA.3004 - Wall Collars ----- 4
- 5. HA.3011 - Wall Plates ----- 2
- 6. HA.3012 - Center Guide ----- 1
- 7. BP.5002 - Part Bag ----- 1
- 7a - M5 X 50mm Screw ----- 8
- 7b - M6 X 12mm Cap Screw ----- 4
- 7c - 6mm Flat Washers ----- 12
- 7d - #10 X 1-1/8 FHPH Screw --- 2
- 7e - #10 Wall Anchors ----- 2
- 7f - 6mm Allen Wrench ----- 1
- 7g - 4mm Allen Wrench ----- 1
- 7h - 3mm Allen Wrench ----- 2

(continued ----->)

- 8a - HC.2513.SIL #10 X 2" FHPHMS ---- 8
- 8b - SP.2543.NTL 1/4" X 1" Wall Anchors -8
- 8c - BP.3027.SIL Part Kits ----- 2 Bag

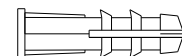
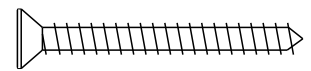
**BP.5003.NTL - PARTS BAG**

MM.5003 Inst. sheet ----- 1



**OTHER MAJOR COMPONENTS**

- 9. HA.3030 - Header Bars ----- 2
- 10. EX.1351 - Tub Jambs ----- 2
- 11. VN.4301 - Catch Vinyl ----- 2
- 12. VN.4302 - Bumper Vinyl ----- 2
- 13. VN.4303 - Cover Vinyl ----- 2
- 14. VN.4304 - Soft Sill ----- 1
- 15. HA.2893 - Back to Back Knob --- 1
- 16. HA.27XX - Towel Bar ----- 1
- 17. Inside Sliding Panel ----- 1
- 18. Outside Sliding Panel ----- 1



Extra screws may be provided for your convenience

**Installation Instructions**  
**Models: TRBTE / TRBSE**  
**ECBTE / ECBSE**  
 3/8" Frameless Slider

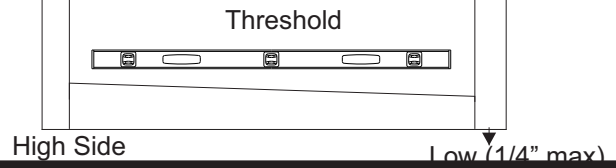
**STEP 1 - Wall Plate Height Calculation:**

- \* Measure height of glass panels: \_\_\_\_\_
- \* Subtract 3 11/16" from this measurement: \_\_\_\_\_
- \* New measurement is the height from the threshold to the bottom of the First Wall Plate #5 in Step 3.

$$\frac{\text{Slider glass panel height} - 3 \frac{11}{16}''}{\text{Height from threshold to bottom of Wall Plate}}$$

**STEP 2 - Evaluate Threshold:**

- \* Maximum recommended vertical threshold outage from side to side is 1/4".
- \* Mark high-side and low-side of threshold.
- \* First wall plate will be installed on high-side.

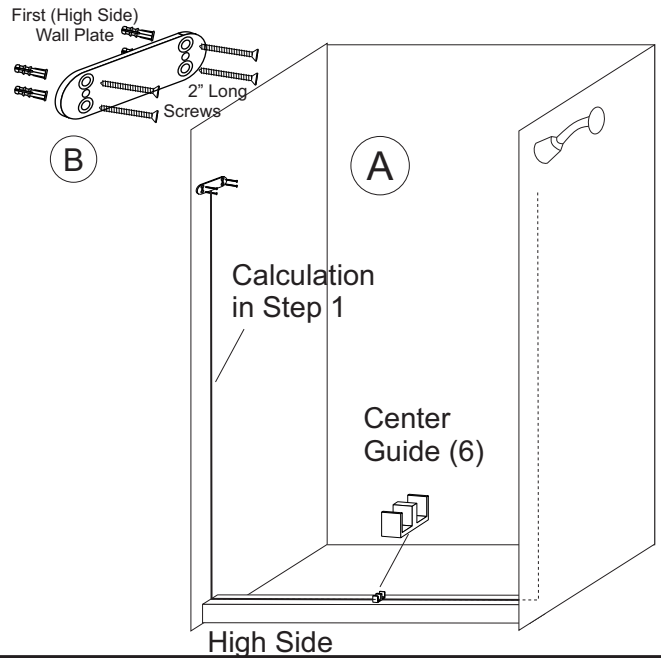


**STEP 3 - Determine Centerline on Threshold and Walls:**

- \* Mark Center Guide #6 location on threshold.
- \* Center guide at center of threshold width and depth.

Do not install yet!

- \* Wall plates will be centered on the center of the guide.
- \* Laser or plumb-bob is handy to determine and mark the overall centerline of the unit. See Detail A



**STEP 4 - Mount First Wall Plate on High Side:**

- \* Take measurement from STEP #1 and measure up high-side wall on the centerline.
- \* Mark this location as the BOTTOM of the Wall Plate #5.
- \* Center plate on the Centerline and mark the 4 hole locations.
- \* Drill four holes with a 1/4" drill bit,
  - Insert 4- Wall Anchors #8b,
  - Then secure with 4 - #10 X 2" screws, #8a.

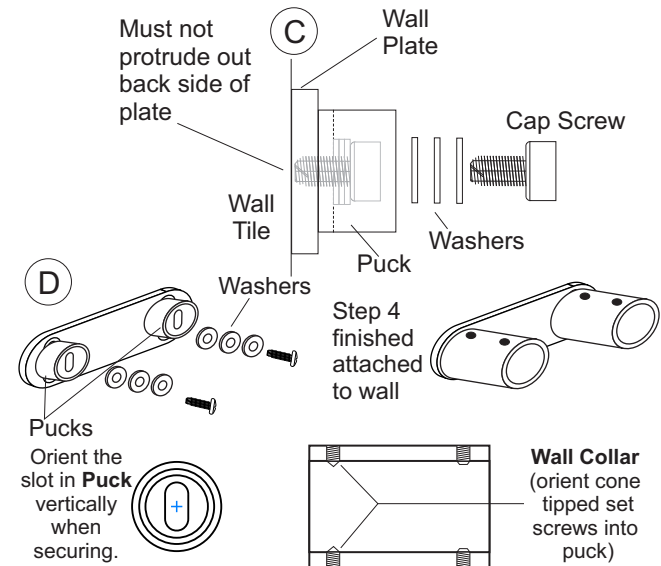
**STEP 5 - Attach Pucks and Wall Collars to Wall Plate on High Side:**

- \* Attach two of Pucks (Remove from inside of Wall Collars, #4 and attach them to the Wall Plate with slots in a vertical position.

**IMPORTANT NOTE:** See Detail C.

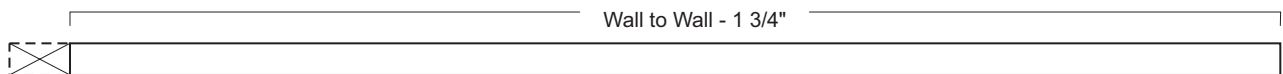
- Use the fewest number of washers (#7c) to ensure cap screw does not extend through back of plate.
- Failure to do so could result in cracked tiles, etc.**
- Use two M6 X 12mm Cap Screws (#7b) to secure pucks

- \* Attach two Wall Collar (#4) onto the Wall Pucks, Detail D
- \* Tighten bottom Wall Collar set screws into Pucks first
- \* Tighten top Wall Collar set screws into Pucks second
- \* Reverse the order when tighten set screws into bars (headers) in future steps.



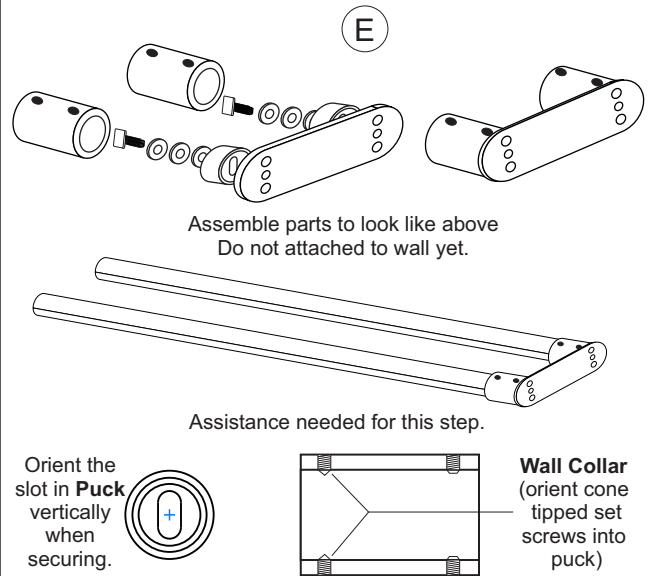
**STEP 6 - Check Header Tube Length:**

- \* Your Header Tube may already be cut to size. To check, measure wall to wall just below the Wall Plate and subtract 1 3/4". If your header is not this length, cut with a hacksaw. Cutting through reinforcement will be difficult.
- \* Seal both exposed ends of both headers/tubes with a light coat of silicone to prevent oxidation.



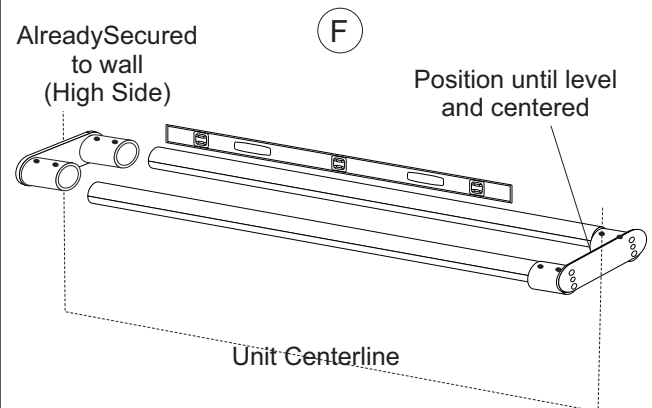
**STEP 7 - Assemble Opposite Wall Plate and Tubes**

- \* Reference Detail E (upper)
  - Attach two Wall Pucks to the remaining Wall Plate with the slots in a vertical position
  - Use two M6 X12mm Cap Screws and washers like in STEP 5
  - Again, ensure cap screw does not extend through back Failure to do so could result in cracked tiles, etc. See Detail C
  - Attach Wall Collars onto the pucks.
  - Attach two Wall Collar (#4) onto the Wall Pucks, Detail D
  - Tighten bottom Wall Collar set screws into Pucks first
  - Tighten top Wall Collar set screws into Pucks second
  - Reverse the order when tightening set screws into bars (headers) in future steps.
- \* Reference Detail E (lower)
  - Insert two Header Tubes, #9 into the assembled Wall plate and tighten set screws.




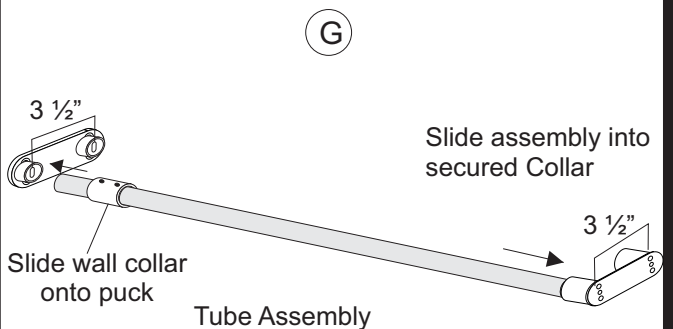
**STEP 8 - Locate and Secure Opposite Wall Plate**

- \* Reference Detail F:
  - THIS STEP REQUIRES ASSISTANCE
  - Carefully lift wall plate/tube assembly and insert the other open ends of the tubes into the Wall plate already mounted on the wall (high side).
  - Using level, position loose Wall Plate/tube assembly until tubes are level and the wall plate is center on Centerline.
  - Mark an outline around the Wall Plate onto the wall.
  - Carefully lower assemble and completely disassemble components
- \* Align the Wall Plate to the outline you made and mark the four countersunk mounting holes onto the wall.
  - Drill with four hole into wall with 1/4" drill bit
  - Insert wall anchors.
  - Secure wall plate with four #10 X 2" Screws.
  - Attach two Wall Pucks to the Wall Plate with slots in a vertical position using cap screws and washers used in STEP 6



**STEP 9 - Mount Header Tubes:**

- Reference Detail G\*
- \* NOTE: Ensure pucks are 3 1/2" apart at both ends.
  - \* NOTE: Since full tub jamb system  is used, the Bumper Stops are optional. They can be used at the discretion of the owner. Stoppers are not shown on these instructions. IF DESIRED BY OWNER: Carefully slide two Bumper Stops #3.
  - \* Slide opposite wall collar onto tube (the other collar should still be on the wall).
  - \* If there is a slight bow in either of the bars, orient the belly of the bow so that it arcs upward
  - \* Slide Header Tube assembly into the secured Wall Collar, align with other side and slide the loose Wall Collar onto the other Wall Puck and secure by tightening the set screws.
  - \* Repeat for second bar. Ensure all set screws are tight so that the Glass Panels cannot fall when installed.



**Installation Instructions**  
**Models: TRBTE / TRBSE**  
**ECBTE / ECBSE**  
 3/8" Frameless Slider

**STEP 10 - Install Sliding Panels:****\* Inside Sliding Panel:**

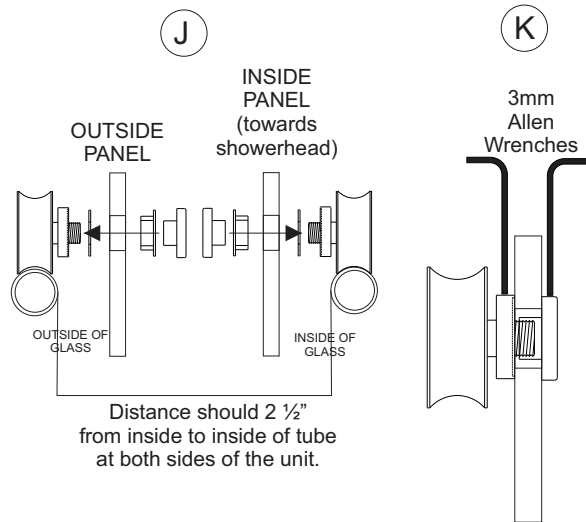
- Starting with Inside Panel (#17, showerhead wall), mount two Roller/Wheel I assemblies (#1) as shown Detail J. The flat Wheel face will face to the inside of the shower.
- Adjust the Wheel so you have equal up and down adjustment. Tighten the Wheel securely as shown Detail K.
- Repeat for second Wheel #1.
- Hang inside panel the inside bar with the Panel between the Header Tubes.

**\* Outside Sliding Panel:**

- NOTE: Carefully slide the top of outside panel between the two tubes before installing rollers.
- Mount both Wheels using same procedure as above, except have them facing to the outside of the shower.

**\* Reference Detail K:**

- Tighten the Wheels securely using two 3mm Allen Wrenches

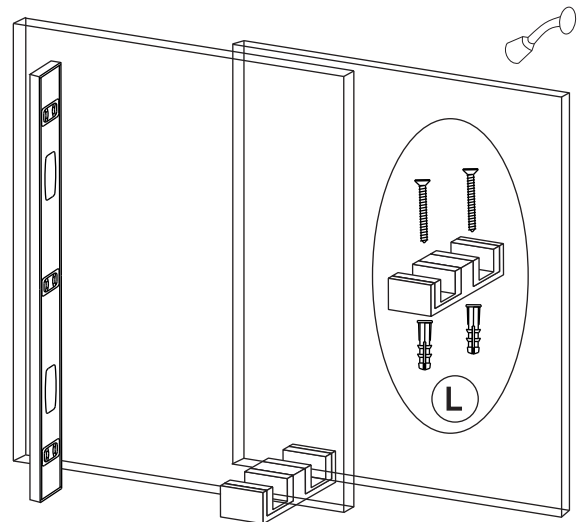
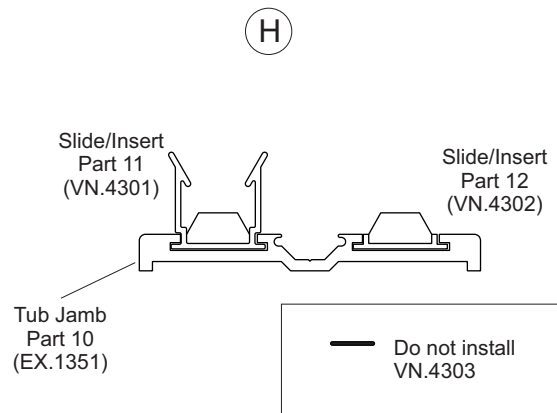
**STEP 11 - Install Center Guide:****\* Move both panels middle of header tubes.****\* Slide the Center Guide under both panels and align with marks made in STEP 3.**

- Using a level, check each panel for being plumb.
- Adjust Center Guide forward or back to achieve best plumb result (OK to split the difference if there is a slight rake).

**\* Mark the holes onto the threshold**

- Drill hole into threshold with a 1/4" bit.
- Fill the hole and anchor with silicone.
- Insert two Wall Anchors (7e).
- Add silicone to the bottom the guide to keep water out the hole.

See Detail L

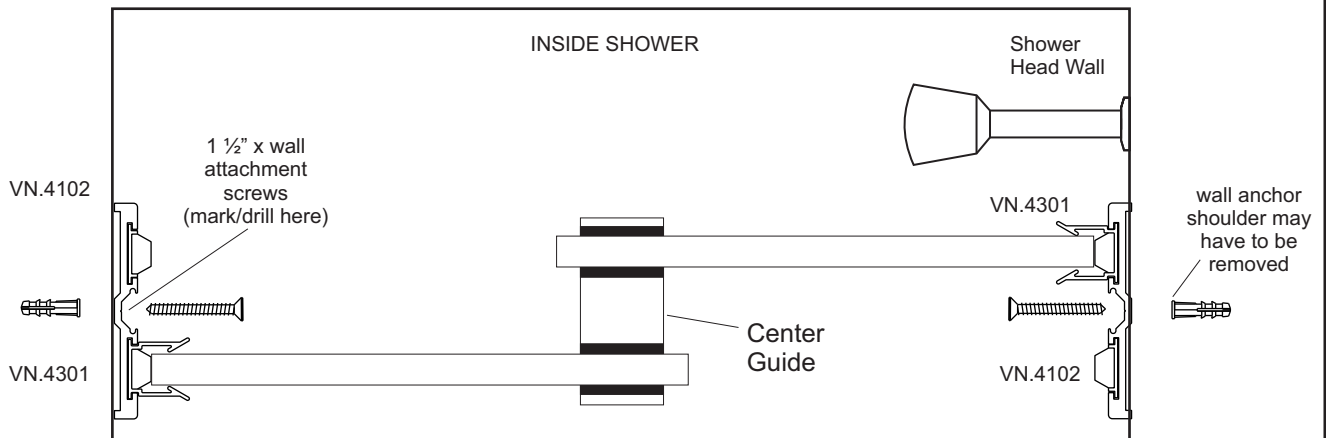
**\* Secure with two #10 X 1-1/8" screws (7d).****\* Carefully move each Panel to the closed position.****STEP 12 - Prepare Tub Jamb:****\* Insert one piece of vinyl (11) and into the "T" slot****\* Insert one piece of vinyl (12) into the other slot. Orient the vinyls as shown.****\* Repeat for second Tub Jamb****\* Do not install vinyl (13). You will do this after the jambs are screwed to the walls to cover the screw heads.**



**STEP 13 - Cut and Install Tub Jambs:** reference diagram below

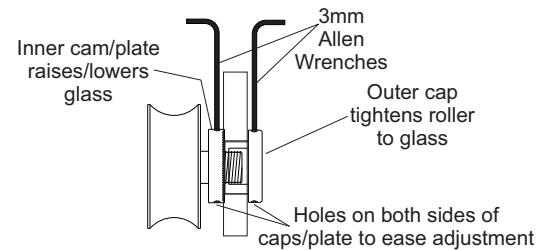
- \* Measure / Cut Left Tub Jamb
  - Measure from the threshold to the bottom of the Wall Plate (5) on left wall.
  - NOTE: Threshold may be angled downward for drainage. This angle should be cut onto the bottom of the Tub Jamb.
  - Cut left Tub Jamb (10) to measured length.
- \* Position Left Jamb Tub Jamb and Locate and Drill Installation Holes:
  - Position Left Tub Jamb under the center of the left Wall Plate.
  - Move the outside panel to the closed position so it freely pockets into VN.4103 without twisting. Adjust as needed.
  - With felt tip pen/marker, mark where you want you 1 1/2" long wall attachment screws to go (use 3 or 4 per side).
  - Remove jamb from wall, lay on flat surface and drill holes at marked location with 3/16" drill bit into aluminum jamb.
- \* Install Left Jamb Tub Jamb:
  - Reposition tub jamb in same location as last step. Mark hole location through jamb onto wall. Remove jamb.
  - Drill 3/16" holes into wall at marked locations. Insert wall anchors.
  - NOTE: razor blade wall anchor shoulders off if needed. Shoot silicone into wall anchors before next step.
  - insert 1 1/2" screws to attach jamb to wall and snug to wall.
- \* Repeat this step for the right Tub Jamb (vinyl sides will be reversed)

**TOP VIEW - TUB JAMBS**



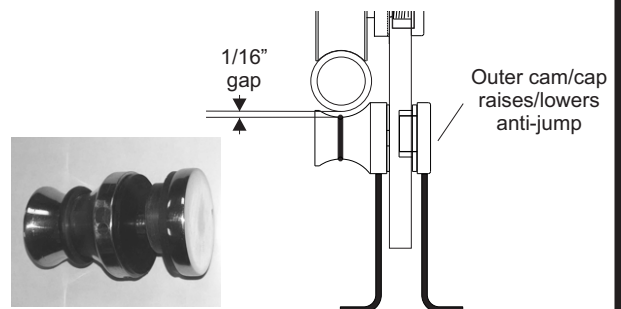
**STEP 14 - Adjusting Rollers and Sliding Panels:**

- \* Using the two 3mm Allen wrenches supplied in the part bag to rotate inner cam/plate to raise or lower roller.
- \* Adjust each Panel until they seat properly with the Tub Jambs vinyls.
- \* Tighten Outer Cap while holding cam/plate in adjusted position.
- \* NOTE: there are holes on both sides of the cap and cam/plates to ease adjustment.



**STEP 15 - Install Anti Jump Posts #2:**

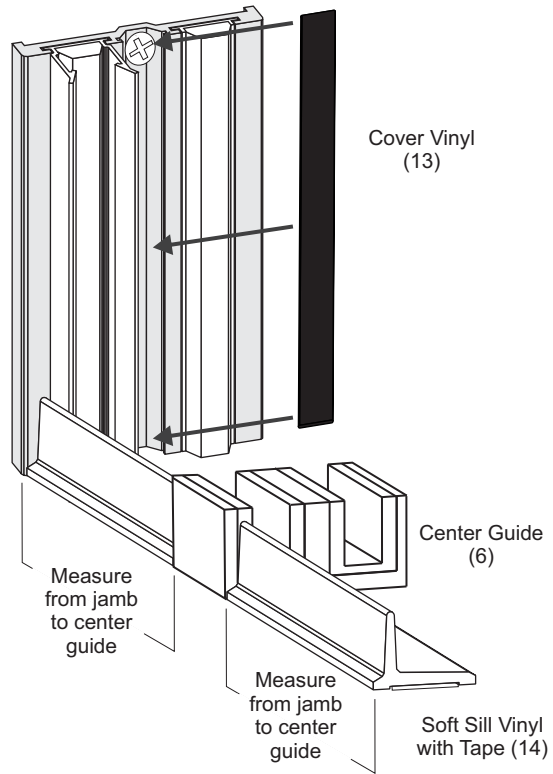
- \* Assemble Anti Jump Posts to glass as shown.
- \* Snug post to glass, then rotate Outer cam/cap to raise or lower Anti-Jump post until it is 1/16" from bottom of tube.
- \* Tighten Anti-Jump post while holding Outer cam/plate in adjusted position to maintain the 1/16" gap.
- \* NOTE: there are holes on both sides of the post and cam/cap to ease adjustment.



**Installation Instructions**  
**Models: TRBTE / TRBSE**  
**ECBTE / ECBSE**  
 3/8" Frameless Slider

**STEP 16 - Install Black Screw Cover Vinyl:**

- \* Insert one length of VN.4303 vinyl (13), into center slot over to cover the screw heads and slot from top to bottom.
- \* Snap in place by pushing vinyl towards the wall until it snaps into place, working your way down.
- \* Work vinyl until it has a constant reveal.

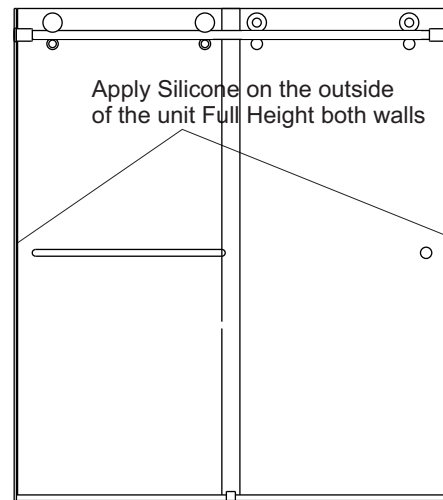


**STEP 17 - Installing Soft Sill #14:**

- \* Measure between the Center Guide #6 and a Tub Jamb.
- \* Cut Sill to this dimension. Repeat for second Tub Jamb.
- \* NOTE: Clean adhesion surface with alcohol and dry thoroughly.
- \* Peel the backing off the tape on the sill and stick in place. between the Center Guide and the tub Jamb.
- \* Repeat for second sill.

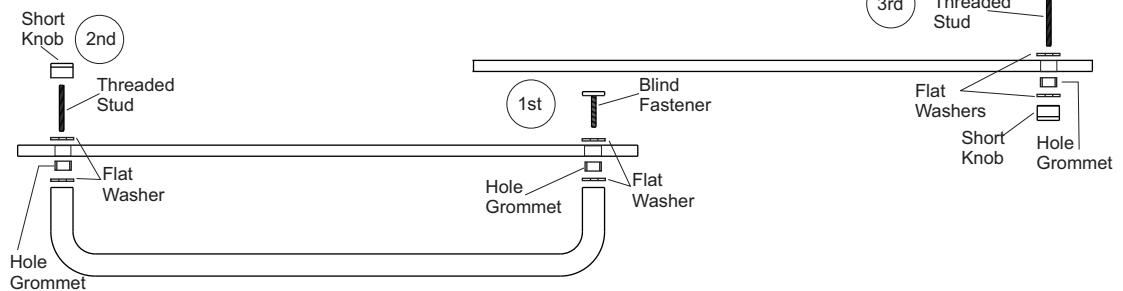
**STEP 18 - Silicone:** GE1200 Recommended

- \* Run a vertical bead of Clear Silicone on the outside and inside of Tub Jamb's where they meet the tile.
- \* Run one continuous bead along the bottom outside and inside of the Soft Sill crossing the Center Guide.



**STEP 19 - Towel Bar and Pulls:**

- \* Start with the blind Fastener of the Towel Bar first. See the detail below for proper sequence.
- \* Ensure the plastic hole grommet inside the holes in the glass. **Failure to do so could result in the panel chipping or breaking, etc.** Follow sequence 1st, 2nd, 3rd below.

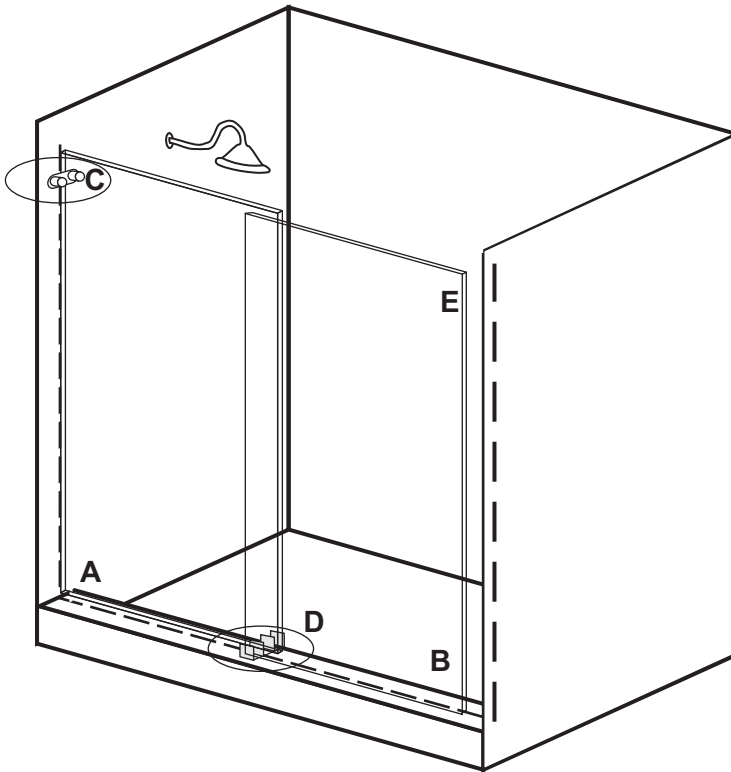
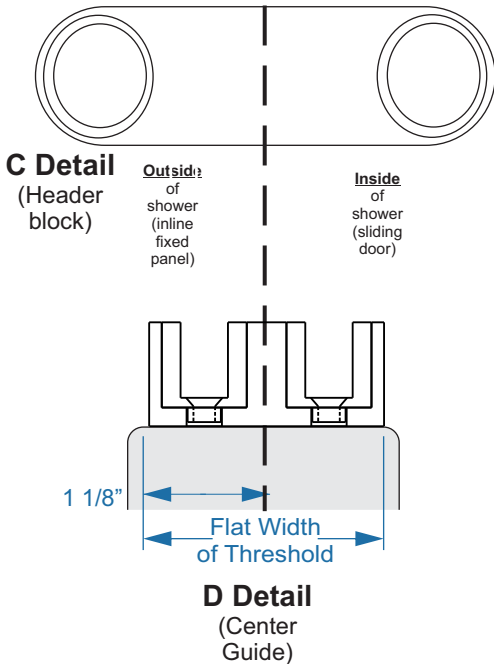




# Placement and Measuring Guide for TRBSE/TRBTE or ECBSE/ECBTE Bypass Sider

This flyer should be integrated with the TRBSE/TRBTE and ECBSE/ECBTE Installation Instruction MM.5003

## Centerline of Unit



### Threshold Centerline (A to B)

- The "flat width" of the threshold does not including rounded edges
- Measure 1 1/8" front to back of the flat to locate the Centerline of the unit. Draw this line from A to B.

### Vertical Centerline (A to C)

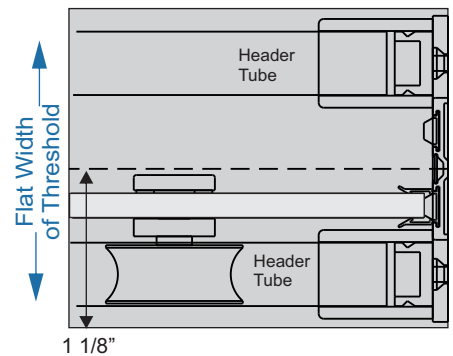
- Using a level, extend the Threshold Centerline vertically up Both walls
- Note the Header Block is installed on these centerlines (Detail C & E)

### Center Guide (Detail D)

- The center guide will extend approximately 1 1/8" in front of the Threshold Centerline (A to B). This can deviate somewhat due to adjustments made during installation.

- **Alternate D Detail:** If the "flat" is less than approximately 2 1/4", the center guide may hang over the back. This is common for many molded shower pans. It can prohibit you from using both screws and anchors to secure the center guide. Use one screw and one anchor and high quality VHB tape and silicone to secure the center guide as shown to the right. High strength 5 minute epoxy can be used to secure the black door silencer/guide into the base.

### B Detail



### How to Measure:

- To provide proper Threshold dimension, measure from A to B. Use a level to check conditions. There should be no more than 1/4" deviation from A to B
- Measure the desired or standard height of your unit along A to B.

### Alternate D Detail (Center Guide)

### Overhanging Center Guide

