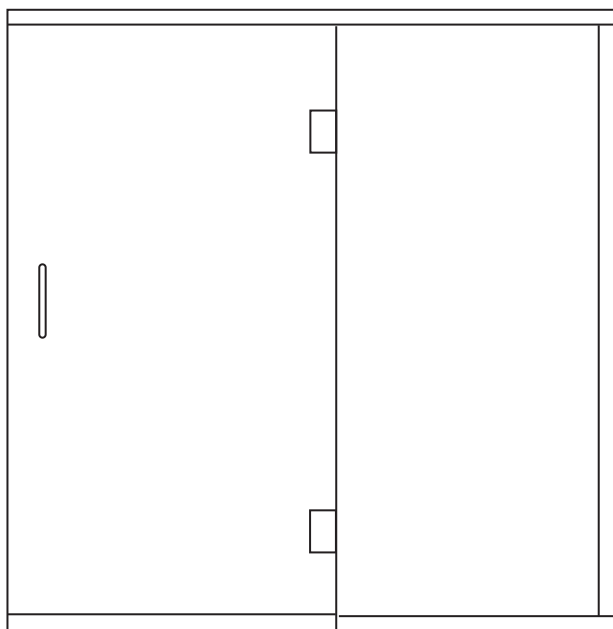


Installation Instructions for HSD180/ESD180/QSD180 or HLSD180/ELSD180/QLSD180 Swing door with 180° Panel Hinge off panel w/ Header

FIRST STEPS - Identify the model number of your unit.

- Look on the white shipping label on the outer cardboard box.
- **Model number** on label should correspond to one listed above.



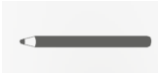
HSD180/ESD180/QSD180
HLSD180/ELSD180/QLSD180

NOTE:

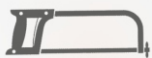
- Installation procedures are the same for tub or shower height units
- The images in this manual show an arrangement with the showerhead to the left. The same instructions apply for the opposite orientation where the examples would be reversed.

Required Tools

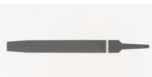
* Pencil or water soluble felt pen



* Hacksaw with 24 tooth blade



* Metal file (smooth sharp edges)



* Tape measure



* Clear 100% Silicone (recommended)



* #2 Phillips Screw driver



* 3/16", 1/4", 3/8" drill bits (carbide for tile)



* Caulking gun



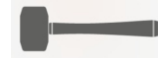
* Drill, electric or battery



* 4 ft. Level



* Rubber mallet



* Razor knife



P/N MM.5013A
rev061820

READ ENTIRE MANUAL BEFORE INSTALLATION AND OPERATION

Warnings and General Shower Door Information



**SAFETY
WARNINGS:**



READ AND FOLLOW INSTRUCTIONS: Failure to follow all instructions, warnings and guidelines may result in serious injury or death, may cause water damage, and will void the terms of your warranty.

General Safety and Installation Policies

Before Installation:

- **Proper Size:** Ensure the enclosure is the proper size for your opening prior to beginning installation.
- **Safe Installation:** Some units may require two or more people to safely install the enclosure properly.
- **Packaging:** It is recommended to retain all packaging and other materials until installation is complete in the event of a return.
- **Inspect:** Installer should inventory all parts or components and inspect them for damage prior to beginning installation.
- **Sharp Edges:** Exposed ends of aluminum and other hard components can be rough, sharp or jagged due to the processes of cutting, drilling, notching, etc. Sharp ends must be deburred, smoothed or rounded by the installer before installation.
- **Safety equipment and tools:** Have all necessary safety equipment (glasses and gloves) and proper tools for the installation. The installer is responsible for determining the correct drill bit(s) for the installation.
- **New Tile:** We recommend that you allow at least 2 days (48 hours) for the tile cement and grout to dry before installing enclosure.

During Installation



- **Proper backing:** Shower doors are heavy. Therefore, glazing channels, fillers, hinges and headers blocks (structural components) should be secured to studs or solid backing beneath the tile or decorative substrate. Fasteners should screw directly into the backing. Wall anchors are provided primarily to separate screws from tile to reduce the possibility of cracking.

- **Tempered glass:** Glass can break. Shower door panels are tempered to ASTM C1048 specifications as required by building codes. Glass is tempered to greatly increase its strength and to make it fragment into smaller and lighter pieces reducing the possibility of injury in the event that the glass does break. Tempered glass will break and may cause bodily injury if you attempt to cut, drill, mill or alter it in any way. Care must be taken when handling tempered glass. Pay special attention to protect all edges of the glass from contact with hard surfaces.
- **Horizontal surfaces and installation holes:** Avoid drilling into the horizontal surfaces of tubs or showers unless it is required for the structural integrity of the unit. If you drill into horizontal surfaces, always generously caulk the holes, anchors, screws and on top of the screw head. If this is not done, or is done improperly, water damage can occur under the tile or substrate.
- **Weep holes in horizontal channels:** Drilling 3/8" weep holes on the inside of horizontal channels is recommended to allow any moisture build-up inside a channel to exit the channel. Due to varying installation conditions and installer's/owner's personal preference, however, we do not drill them in the factory.
- **Sliding and swinging glass doors:** A door may be improperly installed if it hits or scrapes against bathroom obstructions (toilets or cabinets) or any metal or glass components of the shower door itself. This could lead to glass breakage or serious injury. The installer must correct the deficiencies before allowing the door to be used.
- **Surface conditions:** Most shower door designs allow for out-of-square or unlevel installation. Generally, any outage more than 3/8" that was not identified during the ordering process is outside of these allowances and can result in an improper installation.

Caulking/Siliconing the Unit:

- Always clean all contact surfaces before caulking and use a high grade 100% silicone for best results.
- After installation, at a minimum, caulk the entire outside perimeter of the unit where the unit touches walls, sills, and step-ups, etc. Also caulk any vertical joints between metal components where water build-up inside of the channels could leak out.

After Installation:

- **Curing times:** Adhere to manufacturers' recommended curing times for VHB tapes, silicones and any other adhesives, coatings or chemicals used during installation. Unless otherwise stated, it is recommended to wait 72 hours before using the enclosure.
- **Normal wear and tear:** Although these enclosures are designed to last for years, certain items (such as the polycarbonate seals and door sweeps) may need to be replaced as they show signs of aging and wear.

General Disclaimers

- **Shower Doors are not watertight:** Consumers should understand that a shower door is not watertight. The amount of water that can escape your shower can vary greatly based on shower/tub size, configuration of shower head(s), type of thresholds and drains and by the type of shower door itself. Heavy glass units with no or limited vinyl seals, for example, can allow water to escape under normal conditions. Doors with more metal and seals generally provide more water protection. Excessive water pressure or directing shower heads or hand held sprays directly at doors or joints is not a normal shower conditions and can result in leaks.
- **Towel bars, handles and accessories** are in no way considered to be grab bars or other bracing or fall prevention mechanisms. The intent of these accessories is to facilitate proper operation or enhance the esthetics and functionality of the unit.

Owners Manual:

Refer to your Owners Manual for general installation and cleaning and care instructions. If a copy of the Owners Manual was not included, you can download one on the RESOURCES page of our website.

Questions or Comments:

1-800-843-3332

Installation Instruction

Models: HSD180 (1/2-in), ESD180 (3/8-in) or QSD180 (1/4-in)

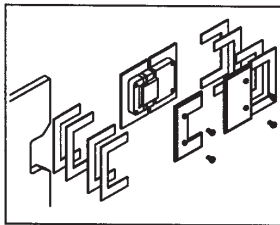
Models: HLSD180 (1/2-in), ELSD180 (3/8-in) or QLSD180 (1/4-in)

WITH HEADER AND DOOR HINGES OFF PANEL

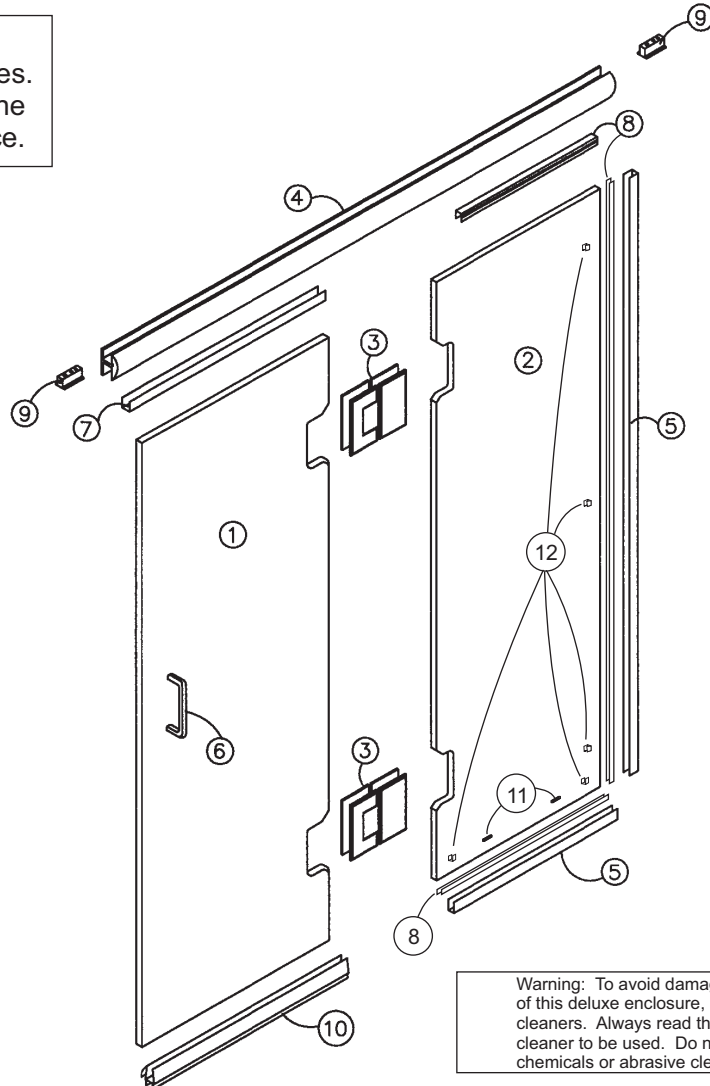
WE RECOMMEND TWO PERSON INSTALLATION.

Warning: When working with glass always protect the edges. Do not set glass directly on the floor or any other hard surface.

HINGE ASSEMBLY



PLEASE NOTE: Before beginning the installation, read the instructions and check that the parts contained in the carton and hardware package match those parts listed below. If you should find any discrepancies, please contact your dealer.



Warning: To avoid damage to the finish of this deluxe enclosure, use only mild cleaners. Always read the label on the cleaner to be used. Do not use harsh chemicals or abrasive cleaners.

PARTS LIST

1. Glass door
2. Glass panel
3. Two Eurolite hinge assemblies w/ required rubber shims
4. Header
5. Glazing Channel
6. Handle
7. Crown Filler
8. Snap Glazing Vinyl (dry glaze)
9. Header Mounting Brackets
10. Vinyl Sweep
11. Setting Blocks
12. Centering Clips (wet/silicone glaze)

ASSEMBLY HARDWARE

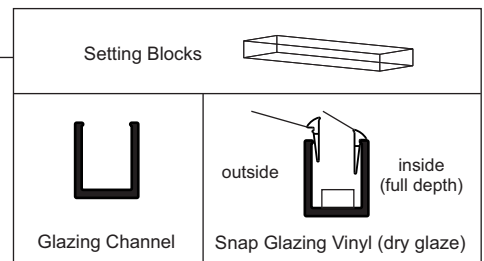
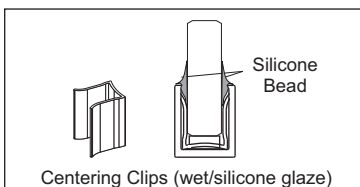
ITEM NAME QTY.



1. #8X1-1/2" Screws 8



2. Plastic Anchor 8



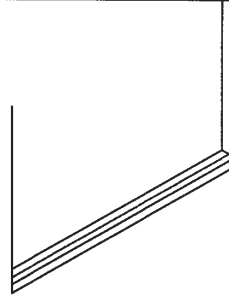
Installation Instruction

Models: HSD180 (1/2-in), ESD180 (3/8-in) or QSD180 (1/4-in)

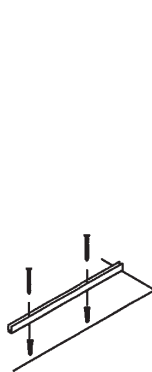
Models: HLSD180 (1/2-in), ELSD180 (3/8-in) or QLSD180 (1/4-in)

WITH HEADER AND DOOR HINGES OFF PANEL

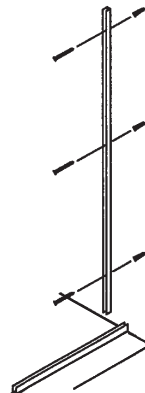
1. Mark centerline of sill lightly in pencil.



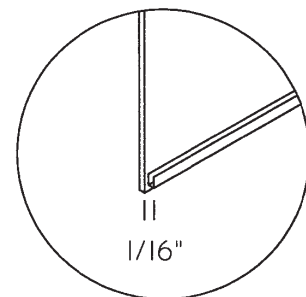
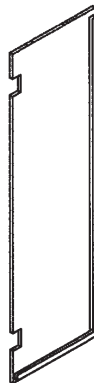
2. Position bottom channel centered on sill, butted up to wall. Mark hole locations. Drill 3/16 holes and insert the plastic anchors. Place a dab of silicone in anchors and secure channel to sill with #8 X 1 1/2 screws.



3. Position wall channel centered on the pencil mark. Plumb and mark hole locations. Drill 3/16" holes and insert the plastic anchors. Secure channel to wall with #8 X 1 1/2" screws.



4. Place setting blocks inside bottom U channel. Test fit panel glass, add or subtract setting blocks until panel glass sits 3/8" above the top of the wall channel. The glass should be out of the end of the bottom channel 1/16".



Installation Instruction

Models: HSD180 (1/2-in), ESD180 (3/8-in) or QSD180 (1/4-in)

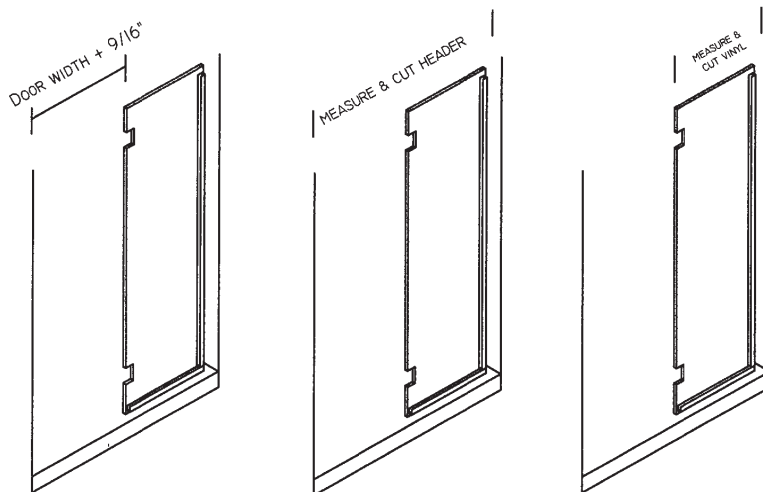
Models: HLSD180 (1/2-in), ELSD180 (3/8-in) or QLSD180 (1/4-in)

WITH HEADER AND DOOR HINGES OFF PANEL

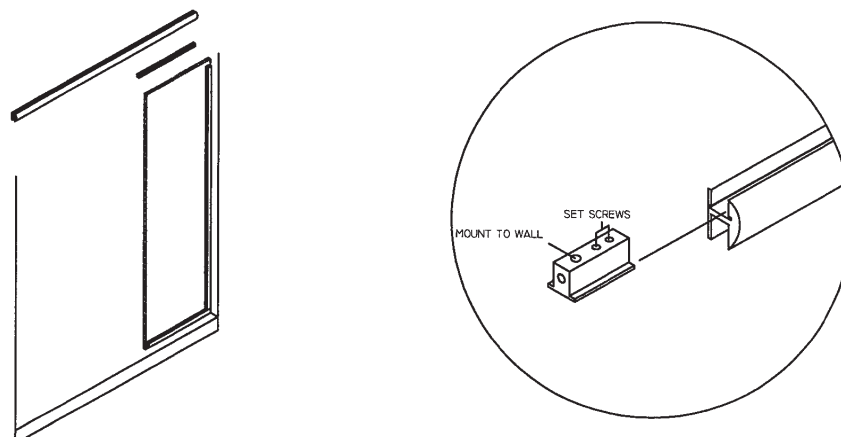
5. Check opening for door. The opening should be the width of the door glass plus 3/8". Adjust panel as necessary to obtain the correct opening size.

Measure wall to wall at the top of the unit. Subtract 1/16" from measurement and cut the header to size.

Measure width at the top of the panel glass, cut the glazing vinyl to size.



6. Slide the mounting brackets into the top channel of the header. Using some short lengths of glazing vinyl to pad the edge of the panel glass, position the header on top of the panel and push down into place. Slide the mounting brackets to the end of the header. Make sure header is level. Mark the mounting hole locations. Remove the header and drill 3/16" holes. Insert plastic anchors and reinstall the header using the full size pieces of glazing vinyl. Secure the mounting brackets to the wall using #8 X 1 1/2 screws. Tighten the set screws.



Installation Instruction

Models: HSD180 (1/2-in), ESD180 (3/8-in) or QSD180 (1/4-in)

Models: HLSD180 (1/2-in), ELSD180 (3/8-in) or QLSD180 (1/4-in)

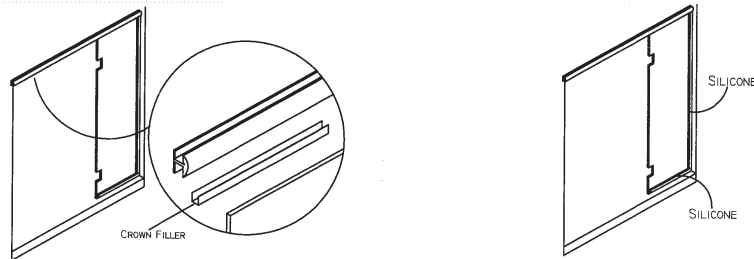
WITH HEADER AND DOOR HINGES OFF PANEL

Choose Glazing Method

7. Double check that the spacing for the door is correct. The opening should equal the door width plus 3/8". Adjust as necessary. Measure between the panel and the wall at the bottom

** Wet / Silicone Glaze Option

Insert centering clips into the bottom and wall channels. Ensure setting blocks are in curb as well. Run a continuous bead of silicone on both sides of the stationary panel where the glass and U channel meet. Allow a minimum of twenty four hours curing time before installing the door.

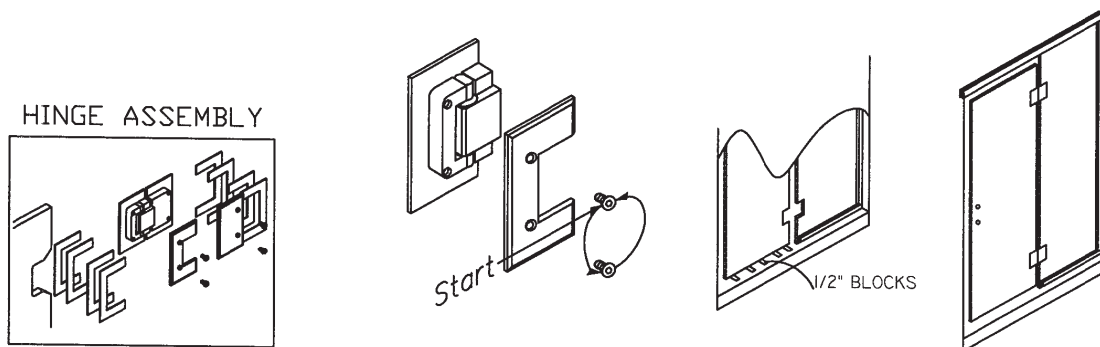


** or Dry Glaze Option

Use snap glazing vinyl on both sides of the glass to secure the panel into position.

NOTE: Do not use centering clips if you choose to dry glaze the panel

8. Place 1/2" blocks along sill to set door glass on. Install two rubber gaskets on each hinge. (Use 1 thick gasket per side for 3/8" glass and one thin rubber gasket each side for 1/2" glass) Position notch in glass into hinge. Install gaskets and the back plate of the hinge with the hex head set screws. Adjust glass panels to have 3/16" spacing between them. Plumb glass and tighten screws in the sequence shown. Remove shims and check door for proper operation.



9. Install handle assembly through holes in door glass using plastic shims and bushings. Measure the width of the door glass at the bottom. Cut door vinyl sweep to size and install on the bottom edge of the door.

