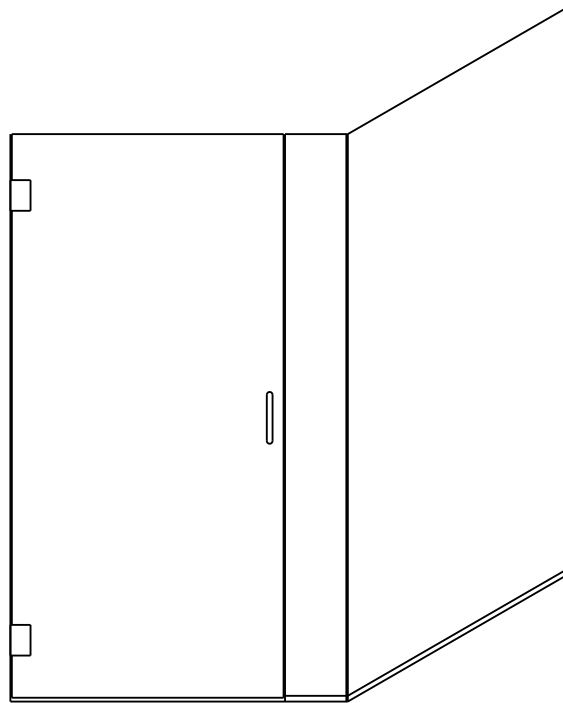


Installation Instructions for HSD290/ESD290/QSD290 or HLSD290/ELSD290/QLSD290

Swing Door w/ith 180° and 90° Panels

FIRST STEPS - Identify the model number of your unit.

- Look on the white shipping label on the outer cardboard box.
- **Model number** on label should correspond to one listed above.



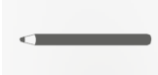
HSD290/ESD290/QSD290 HLSD290/ELSD290/QLSD290

NOTE:

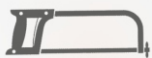
- Installation procedures are the same for tub or shower height units
- The images in this manual show an arrangement with the showerhead to the left. The same instructions apply for the opposite orientation where the examples would be reversed.

Required Tools

* Pencil or water soluble felt pen



* Hacksaw with 24 tooth blade



* Metal file (smooth sharp edges)



* Tape measure



* Clear 100% Silicone (recommended)



* #2 Phillips Screw driver



* 9/64", 3/16", 1/4", 3/8" drill bits (carbide for tile)



* Caulking gun



* Drill, electric or battery



* 4 ft. Level



* Rubber mallet



* Razor knife



P/N MM.5015
rev061920

READ ENTIRE MANUAL BEFORE INSTALLATION AND OPERATION

Warnings and General Shower Door Information



**SAFETY
WARNINGS:**



READ AND FOLLOW INSTRUCTIONS: Failure to follow all instructions, warnings and guidelines may result in serious injury or death, may cause water damage, and will void the terms of your warranty.

General Safety and Installation Policies

Before Installation:

- **Proper Size:** Ensure the enclosure is the proper size for your opening prior to beginning installation.
- **Safe Installation:** Some units may require two or more people to safely install the enclosure properly.
- **Packaging:** It is recommended to retain all packaging and other materials until installation is complete in the event of a return.
- **Inspect:** Installer should inventory all parts or components and inspect them for damage prior to beginning installation.
- **Sharp Edges:** Exposed ends of aluminum and other hard components can be rough, sharp or jagged due to the processes of cutting, drilling, notching, etc. Sharp ends must be deburred, smoothed or rounded by the installer before installation.
- **Safety equipment and tools:** Have all necessary safety equipment (glasses and gloves) and proper tools for the installation. The installer is responsible for determining the correct drill bit(s) for the installation.
- **New Tile:** We recommend that you allow at least 2 days (48 hours) for the tile cement and grout to dry before installing enclosure.

During Installation



- **Proper backing:** Shower doors are heavy. Therefore, glazing channels, fillers, hinges and headers blocks (structural components) should be secured to studs or solid backing beneath the tile or decorative substrate. Fasteners should screw directly into the backing. Wall anchors are provided primarily to separate screws from tile to reduce the possibility of cracking.

- **Tempered glass:** Glass can break. Shower door panels are tempered to ASTM C1048 specifications as required by building codes. Glass is tempered to greatly increase its strength and to make it fragment into smaller and lighter pieces reducing the possibility of injury in the event that the glass does break. Tempered glass will break and may cause bodily injury if you attempt to cut, drill, mill or alter it in any way. Care must be taken when handling tempered glass. Pay special attention to protect all edges of the glass from contact with hard surfaces.
- **Horizontal surfaces and installation holes:** Avoid drilling into the horizontal surfaces of tubs or showers unless it is required for the structural integrity of the unit. If you drill into horizontal surfaces, always generously caulk the holes, anchors, screws and on top of the screw head. If this is not done, or is done improperly, water damage can occur under the tile or substrate.
- **Weep holes in horizontal channels:** Drilling 3/8" weep holes on the inside of horizontal channels is recommended to allow any moisture build-up inside a channel to exit the channel. Due to varying installation conditions and installer's/owner's personal preference, however, we do not drill them in the factory.
- **Sliding and swinging glass doors:** A door may be improperly installed if it hits or scrapes against bathroom obstructions (toilets or cabinets) or any metal or glass components of the shower door itself. This could lead to glass breakage or serious injury. The installer must correct the deficiencies before allowing the door to be used.
- **Surface conditions:** Most shower door designs allow for out-of-square or unlevel installation. Generally, any outage more than 3/8" that was not identified during the ordering process is outside of these allowances and can result in an improper installation.

Caulking/Siliconing the Unit:

- Always clean all contact surfaces before caulking and use a high grade 100% silicone for best results.
- After installation, at a minimum, caulk the entire outside perimeter of the unit where the unit touches walls, sills, and step-ups, etc. Also caulk any vertical joints between metal components where water build-up inside of the channels could leak out.

After Installation:

- **Curing times:** Adhere to manufacturers' recommended curing times for VHB tapes, silicones and any other adhesives, coatings or chemicals used during installation. Unless otherwise stated, it is recommended to wait 72 hours before using the enclosure.
- **Normal wear and tear:** Although these enclosures are designed to last for years, certain items (such as the polycarbonate seals and door sweeps) may need to be replaced as they show signs of aging and wear.

General Disclaimers

- **Shower Doors are not watertight:** Consumers should understand that a shower door is not watertight. The amount of water that can escape your shower can vary greatly based on shower/tub size, configuration of shower head(s), type of thresholds and drains and by the type of shower door itself. Heavy glass units with no or limited vinyl seals, for example, can allow water to escape under normal conditions. Doors with more metal and seals generally provide more water protection. Excessive water pressure or directing shower heads or hand held sprays directly at doors or joints is not a normal shower conditions and can result in leaks.
- **Towel bars, handles and accessories** are in no way considered to be grab bars or other bracing or fall prevention mechanisms. The intent of these accessories is to facilitate proper operation or enhance the esthetics and functionality of the unit.

Owners Manual:

Refer to your Owners Manual for general installation and cleaning and care instructions. If a copy of the Owners Manual was not included, you can download one on the RESOURCES page of our website.

Questions or Comments:

1-800-843-3332

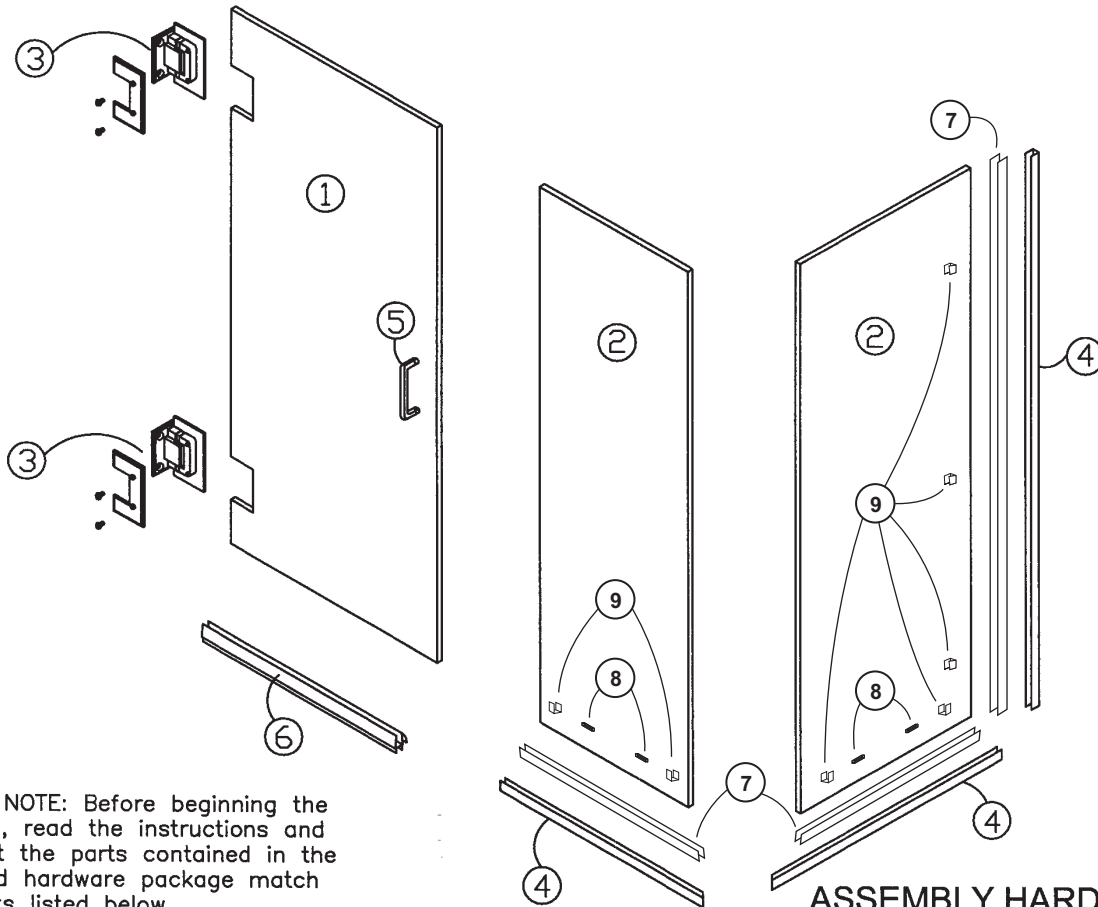
Installation Instruction

Models: HSD290 (1/2-in), ESD290 (3/8-in) or QSD290 (1/4-in)

Models: HLSD290 (1/2-in), ELSD290 (3/8-in) or QLSD290 (1/4-in)

WARNING: When working with glass always protect the edge. Do not set the glass directly on the floor or any other hard surface.

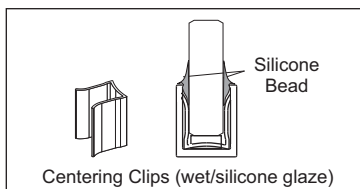
WARNING: To avoid damage to the finish of this deluxe enclosure, use only mild cleaners. Always read the label on the cleaner to be used. Do not use harsh chemicals or abrasive cleaners. REV 12/2010



* PLEASE NOTE: Before beginning the installation, read the instructions and check that the parts contained in the carton and hardware package match those parts listed below.

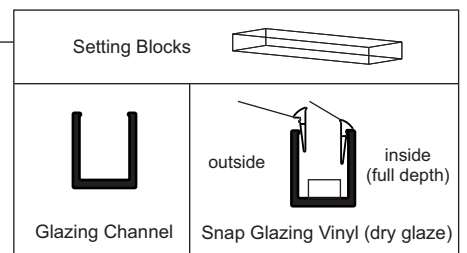
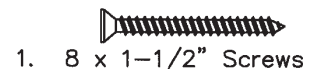
PARTS LIST

1. Glass Door
2. Glass Panels
3. Eurlite Hinge Assembly w/ required rubber shims
4. Glazing Channel
5. Handle Assembly
6. Vinyl Sweep
7. Snap Glazing Vinyl (dry glaze)
8. Setting Blocks
9. Centering Clips (wet/silicone glaze)



ASSEMBLY HARDWARE

ITEM	NAME	QTY.
1.	8 x 1-1/2" Screws	
2.	10 x 2 Screws	
3.	Plastic Anchor	

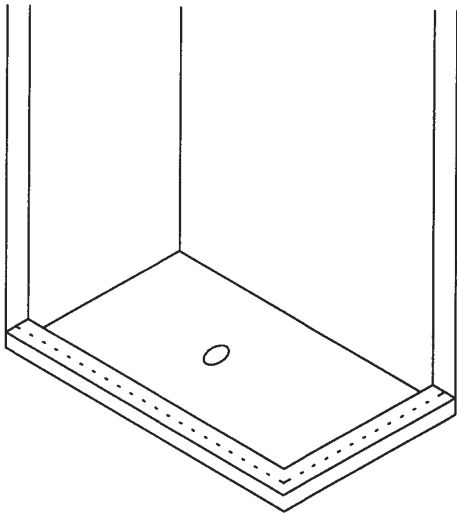


Installation Instruction

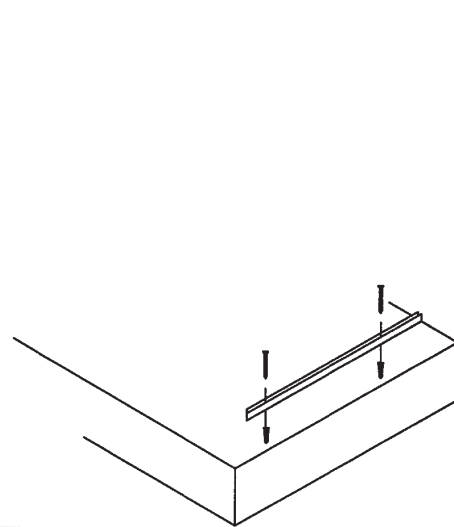
Models: HSD290 (1/2-in), ESD290 (3/8-in) or QSD290 (1/4-in)

Models: HLSD290 (1/2-in), ELSD290 (3/8-in) or QLSD290 (1/4-in)

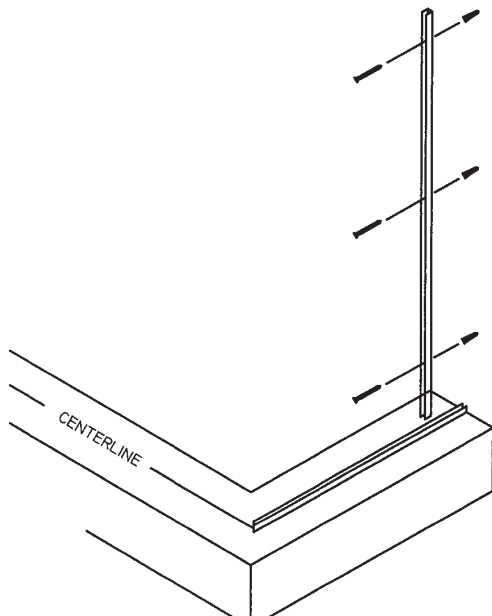
1. MARK CENTERLINE OF SILL LIGHTLY IN PENCIL.



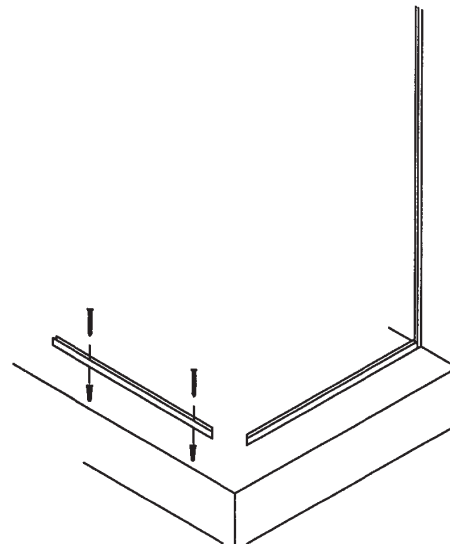
2. MEASURE THE CENTERLINE OF THE RETURN. ADD 5/16" TO MEASUREMENT. MEASURE ON LONG SIDE OF CHANNEL. CUT CHANNEL TO SIZE. POSITION THE CHANNEL ON SILL AGAINST WALL AND CENTERED OVER PENCIL MARK ON SILL. MARK HOLE LOCATIONS. DRILL 3/16" HOLES AND INSERT PLASTIC ANCHORS. PLACE A SMALL AMOUNT OF SILICONE IN ANCHORS. SECURE CHANNEL TO SILL WITH #8X1-1/2" SCREWS. SEAL SCREW HEADS WITH A GENEROUS AMOUNT OF SILICONE.



3. LOCATE THE WALL CHANNEL CENTERED ABOVE THE U-CHANNEL ON THE SILL AND UP AGAINST WALL. PLUMB AND MARK HOLE LOCATIONS. DRILL 3/16" HOLES AND INSERT PLASTIC ANCHORS. SECURE CHANNEL TO WALL WITH #8X1-1/2" SCREWS.



4. MEASURE WIDTH OF FRONT PANEL GLASS. SUBTRACT 1/8" FROM MEASUREMENT. MEASURE ON LONG SIDE OF CHANNEL. CUT CHANNEL TO SIZE. POSITION THE CHANNEL ON THE SILL CENTERED OVER PENCIL MARK ON SILL WITH THE MITERED CORNERS TOGETHER. MARK HOLE LOCATIONS. DRILL 3/16" HOLES AND INSERT PLASTIC ANCHORS. PLACE A SMALL AMOUNT OF SILICONE IN ANCHORS. SECURE CHANNEL TO SILL WITH #8X1-1/2" SCREWS. SEAL SCREW HEADS WITH A GENEROUS AMOUNT OF SILICONE.



Installation Instruction

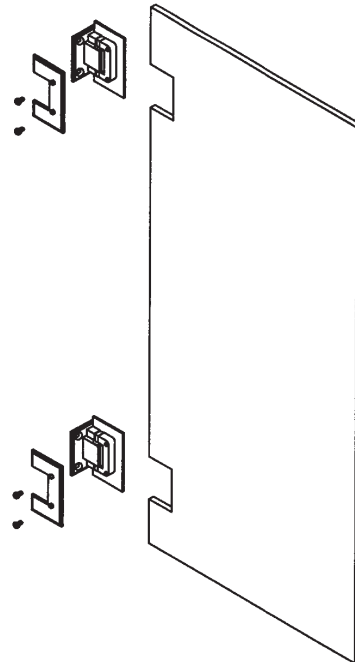
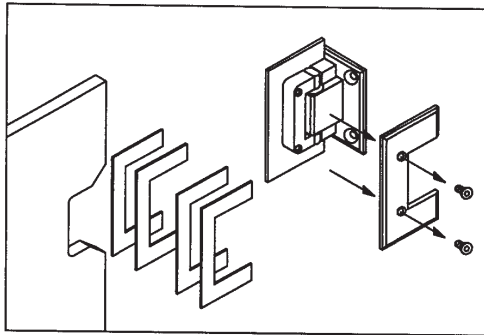
Models: HSD290 (1/2-in), ESD290 (3/8-in) or QSD290 (1/4-in)

Models: HLSD290 (1/2-in), ELSD290 (3/8-in) or QLSD290 (1/4-in)

5. INSTALL HINGE ASSEMBLIES ON DOOR GLASS. PLACE TWO GASKETS PER SIDE FOR 3/8" GLASS OVER HINGE BODY AND POSITION IN THE CUT OUT IN THE GLASS. INSTALL THE TWO REMAINING GASKETS AND THE BACK PLATE OF THE HINGE WITH THE HEX HEAD SET SCREWS. IF USING 1/2" GLASS USE ONLY 1 GASKET PER SIDE.

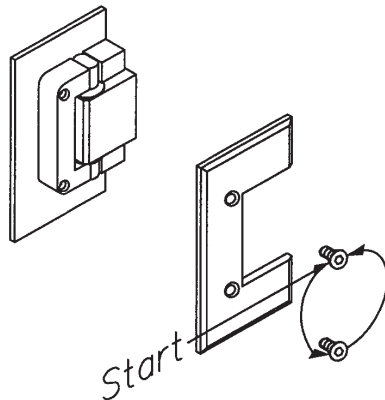
NOTE: TAPING THE FACE OF THE HINGES WILL HELP PREVENT SCRATCHES DURING INSTALLATION.

HINGE ASSEMBLY

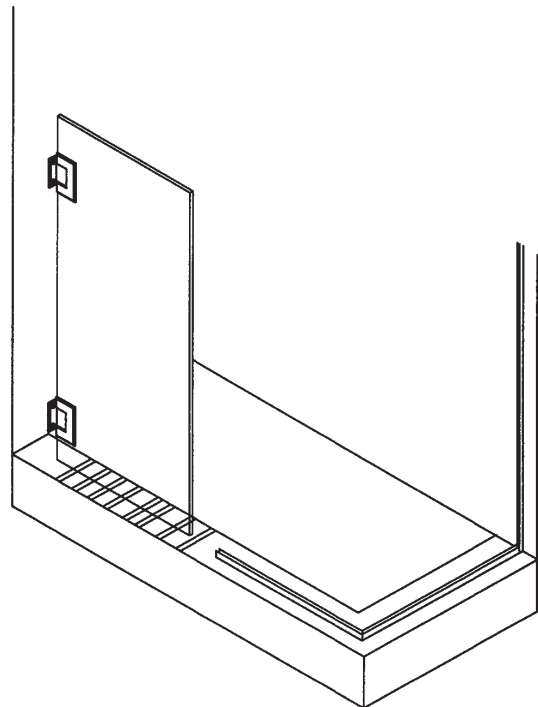


PLEASE NOTE: THE SET SCREWS SHOULD BE ON THE INSIDE OF THE DOOR.

6. PLACE 1/2" BLOCKS ON SILL. SET DOOR IN PLACE, PLUMB AND MARK MOUNTING HOLE LOCATIONS FOR HINGES. REMOVE DOOR FROM SILL. DRILL 1/4" HOLES THROUGH FINISH WALL MATERIAL ONLY. THEN DRILL PILOT HOLES IN THE WOOD STUD FOR THE #10x2" SCREWS. REMOVE HINGES FROM GLASS AND MOUNT HINGES TO THE WALL. REINSTALL THE GLASS IN THE HINGES, MAKING SURE TO SECURELY TIGHTEN THE HEX SCREWS ON THE HINGES.



ALTERNATE TIGHTENING THE HEX HEAD SCREWS UNTIL SECURE. DO NOT OVERTIGHTEN AS THIS MAY WARP THE HINGE AND DECREASE THE HOLD ON THE GLASS.



Installation Instruction

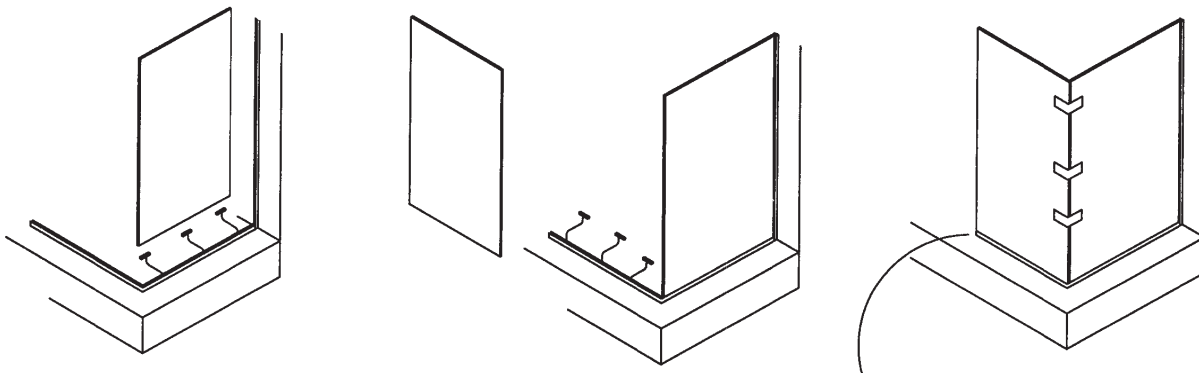
Models: HSD290 (1/2-in), ESD290 (3/8-in) or QSD290 (1/4-in)

Models: HLSD290 (1/2-in), ELSD290 (3/8-in) or QLSD290 (1/4-in)

7. PLACE 1/4" SETTING BLOCKS INSIDE BOTH BOTTOM CHANNELS. POSITION END PANEL GLASS IN BOTTOM CHANNEL AND WALL CHANNEL. POSITION FRONT GLASS PANEL IN BOTTOM CHANNEL WITH THE CORNERS OF THE GLASS BUTTED TOGETHER. CHECK PANELS FOR PLUMB AND MAKE SURE TOP EDGES OF GLASS PANELS ARE ALIGNED. TAPE CORNER OF GLASS TOGETHER TO TEMPORARILY HOLD PANELS IN PLACE UNTIL THE SILICONE CURES.

NOTE:

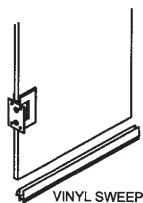
USE TAPE OF SUFFICIENT STRENGTH TO HOLD THE POSITION OF THE GLASS.



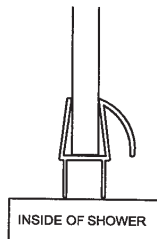
NOTE: FRONT PANEL GLASS SHOULD PROTRUDE ABOUT 1/8" PAST THE END OF THE U-CHANNEL.

8. MEASURE THE WIDTH OF THE GLASS AT THE BOTTOM EDGE OF THE DOOR. CUT THE BOTTOM TO SIZE. INSTALL THE SWEEP OVER THE EDGE OF THE DOOR WITH THE HOOD TOWARDS THE INSIDE OF THE SHOWER.

TYPICAL HINGE ASSEMBLY

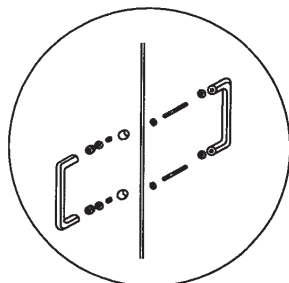


VINYL SWEEP



INSIDE OF SHOWER

9. INSTALL THE HANDLE ASSEMBLY THROUGH HOLE IN DOOR GLASS USING THE PLASTIC SHIMS AND BUSHINGS.

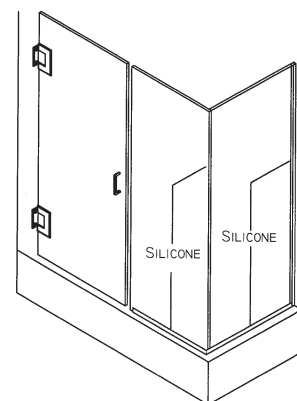


10.

Choose Glazing Method

— Wet/Silicon Glaze Option

INSERT CENTERING CLIPS INTO THE BOTTOM AND WALL CHANNELS. ENSURE SETTING BLOCKS ARE IN CURB AS WELL. RUN A CONTINUOUS BEAD OF SILICONE ON BOTH SIDES OF THE STATIONARY PANELS WHERE THE GLASS PANELS BUTT TOGETHER. ALLOW THE SILICONE TO CURE FOR 24 HOURS BEFORE USING SHOWER.



— or Dry Glaze Option

USE SNAP GLAZING VINYL ON BOTH SIDE OF THE GLASS TO SECURE THE PANEL INTO POSITION.

NOTE: DO NOT USE CENTERING CLIPS IF YOU CHOOSE TO DRY GLAZE THE PANEL