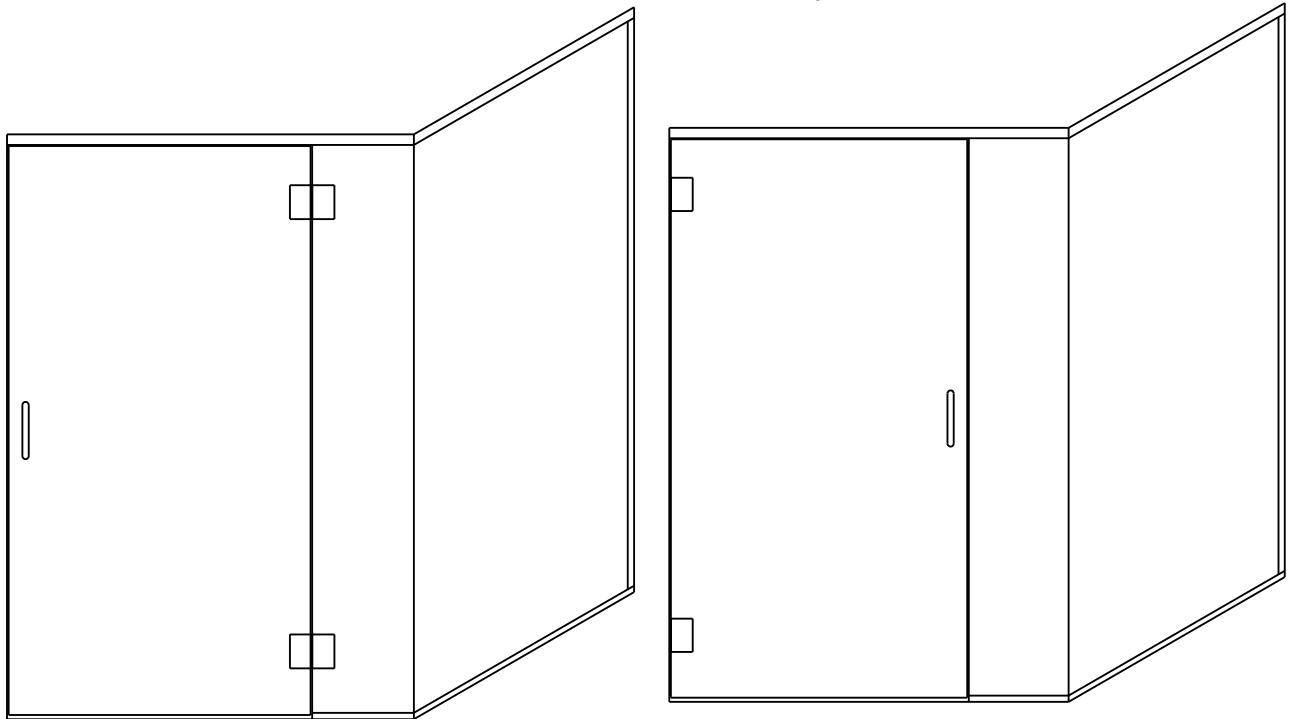


Installation Instructions for HSD290/ESD290/QSD290 or HLSD290/ELSD290/QLSD290

Swing Door With Header and Hinge off Panel

FIRST STEPS - Identify the model number of your unit.

- Look on the white shipping label on the outer cardboard box.
- **Model number** on label should correspond to one listed above.



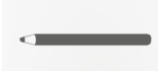
HSD290/ESD290/QSD290 HLSD290/ELSD290/QLSD290

NOTE:

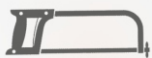
- Installation procedures are the same for tub or shower height units
- The images in this manual show an arrangement with the showerhead to the left. The same instructions apply for the opposite orientation where the examples would be reversed.

Required Tools

* Pencil or water soluble felt pen



* Hacksaw with 24 tooth blade



* Metal file (smooth sharp edges)



* Tape measure



* Clear 100% Silicone (recommended)



* #2 Phillips Screw driver



* 9/64", 3/16", 1/4", 3/8" drill bits (carbide for tile)



* Caulking gun



* Drill, electric or battery



* 4 ft. Level



* Rubber mallet



* Razor knife



P/N MM.5015B
rev061920

READ ENTIRE MANUAL BEFORE INSTALLATION AND OPERATION

Warnings and General Shower Door Information



**SAFETY
WARNINGS:**



READ AND FOLLOW INSTRUCTIONS: Failure to follow all instructions, warnings and guidelines may result in serious injury or death, may cause water damage, and will void the terms of your warranty.

General Safety and Installation Policies

Before Installation:

- **Proper Size:** Ensure the enclosure is the proper size for your opening prior to beginning installation.
- **Safe Installation:** Some units may require two or more people to safely install the enclosure properly.
- **Packaging:** It is recommended to retain all packaging and other materials until installation is complete in the event of a return.
- **Inspect:** Installer should inventory all parts or components and inspect them for damage prior to beginning installation.
- **Sharp Edges:** Exposed ends of aluminum and other hard components can be rough, sharp or jagged due to the processes of cutting, drilling, notching, etc. Sharp ends must be deburred, smoothed or rounded by the installer before installation.
- **Safety equipment and tools:** Have all necessary safety equipment (glasses and gloves) and proper tools for the installation. The installer is responsible for determining the correct drill bit(s) for the installation.
- **New Tile:** We recommend that you allow at least 2 days (48 hours) for the tile cement and grout to dry before installing enclosure.

During Installation



- **Proper backing:** Shower doors are heavy. Therefore, glazing channels, fillers, hinges and headers blocks (structural components) should be secured to studs or solid backing beneath the tile or decorative substrate. Fasteners should screw directly into the backing. Wall anchors are provided primarily to separate screws from tile to reduce the possibility of cracking.

- **Tempered glass:** Glass can break. Shower door panels are tempered to ASTM C1048 specifications as required by building codes. Glass is tempered to greatly increase its strength and to make it fragment into smaller and lighter pieces reducing the possibility of injury in the event that the glass does break. Tempered glass will break and may cause bodily injury if you attempt to cut, drill, mill or alter it in any way. Care must be taken when handling tempered glass. Pay special attention to protect all edges of the glass from contact with hard surfaces.
- **Horizontal surfaces and installation holes:** Avoid drilling into the horizontal surfaces of tubs or showers unless it is required for the structural integrity of the unit. If you drill into horizontal surfaces, always generously caulk the holes, anchors, screws and on top of the screw head. If this is not done, or is done improperly, water damage can occur under the tile or substrate.
- **Weep holes in horizontal channels:** Drilling 3/8" weep holes on the inside of horizontal channels is recommended to allow any moisture build-up inside a channel to exit the channel. Due to varying installation conditions and installer's/owner's personal preference, however, we do not drill them in the factory.
- **Sliding and swinging glass doors:** A door may be improperly installed if it hits or scrapes against bathroom obstructions (toilets or cabinets) or any metal or glass components of the shower door itself. This could lead to glass breakage or serious injury. The installer must correct the deficiencies before allowing the door to be used.
- **Surface conditions:** Most shower door designs allow for out-of-square or unlevel installation. Generally, any outage more than 3/8" that was not identified during the ordering process is outside of these allowances and can result in an improper installation.

Caulking/Siliconing the Unit:

- Always clean all contact surfaces before caulking and use a high grade 100% silicone for best results.
- After installation, at a minimum, caulk the entire outside perimeter of the unit where the unit touches walls, sills, and step-ups, etc. Also caulk any vertical joints between metal components where water build-up inside of the channels could leak out.

After Installation:

- **Curing times:** Adhere to manufacturers' recommended curing times for VHB tapes, silicones and any other adhesives, coatings or chemicals used during installation. Unless otherwise stated, it is recommended to wait 72 hours before using the enclosure.
- **Normal wear and tear:** Although these enclosures are designed to last for years, certain items (such as the polycarbonate seals and door sweeps) may need to be replaced as they show signs of aging and wear.

General Disclaimers

- **Shower Doors are not watertight:** Consumers should understand that a shower door is not watertight. The amount of water that can escape your shower can vary greatly based on shower/tub size, configuration of shower head(s), type of thresholds and drains and by the type of shower door itself. Heavy glass units with no or limited vinyl seals, for example, can allow water to escape under normal conditions. Doors with more metal and seals generally provide more water protection. Excessive water pressure or directing shower heads or hand held sprays directly at doors or joints is not a normal shower conditions and can result in leaks.
- **Towel bars, handles and accessories** are in no way considered to be grab bars or other bracing or fall prevention mechanisms. The intent of these accessories is to facilitate proper operation or enhance the esthetics and functionality of the unit.

Owners Manual:

Refer to your Owners Manual for general installation and cleaning and care instructions. If a copy of the Owners Manual was not included, you can download one on the RESOURCES page of our website.

Questions or Comments:

1-800-843-3332

Installation Instruction

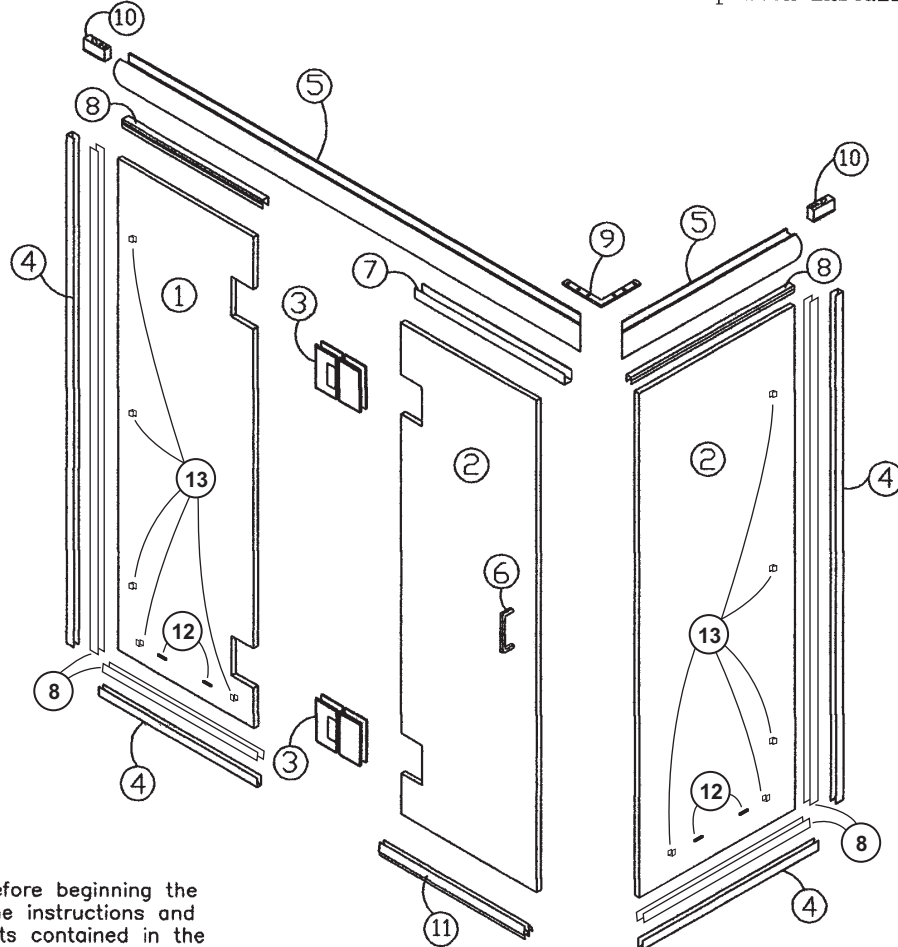
Models: HSD290 (1/2-in), ESD290 (3/8-in) or QSD290 (1/4-in)

Models: HLSD290 (1/2-in), ELSD290 (3/8-in) or QLSD290 (1/4-in)

WITH HEADER AND DOOR HINGED OFF PANEL

WARNING: To avoid damage to the finish of this deluxe enclosure, use only mild cleaners. Always read the label on the cleaner to be used. Do not use harsh chemicals or abrasive cleaners.

PLEASE NOTE: When working with glass always protect the edge. Do not set the glass directly on the floor or any other hard surface. We recommend two person installation.



* PLEASE NOTE: Before beginning the installation, read the instructions and check that the parts contained in the carton and hardware package match those parts listed below.

ASSEMBLY HARDWARE

ITEM	NAME	QTY.
------	------	------



1.	10 x 2 Screws	
----	---------------	--



2.	Plastic Anchor	
----	----------------	--

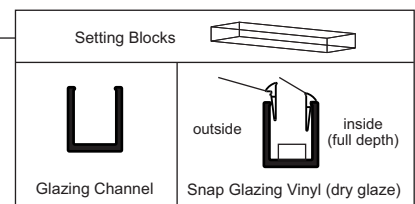
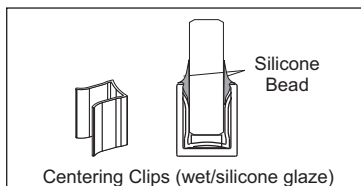


3.	3/8" U-Channel	
----	----------------	--

4.	Adjusting Blocks	
----	------------------	--

PARTS LIST

1. Glass door
2. Glass panel
3. Eurolite Hinge Assembly w/ required rubber shims
4. Glazing Channel
5. Header
6. Door Handle with Shim
7. Crown Filler
8. Snap Glazing Vinyl (dry glaze)
9. Corner Bracket
10. Header End Bracket
11. Vinyl Sweep
12. Setting Blocks
13. Centering Clips (wet/silicone glaze)



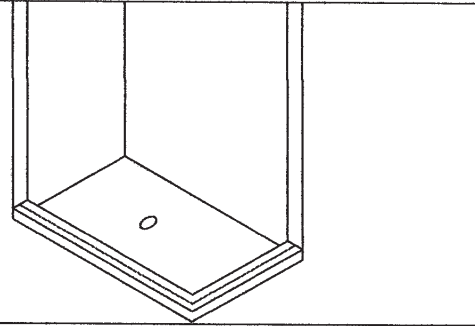
Installation Instruction

Models: HSD290 (1/2-in), ESD290 (3/8-in) or QSD290 (1/4-in)

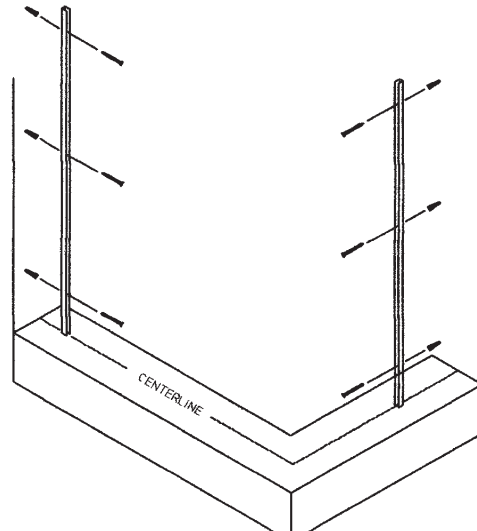
Models: HLSD290 (1/2-in), ELSD290 (3/8-in) or QLSD290 (1/4-in)

WITH HEADER AND DOOR HINGED OFF PANEL

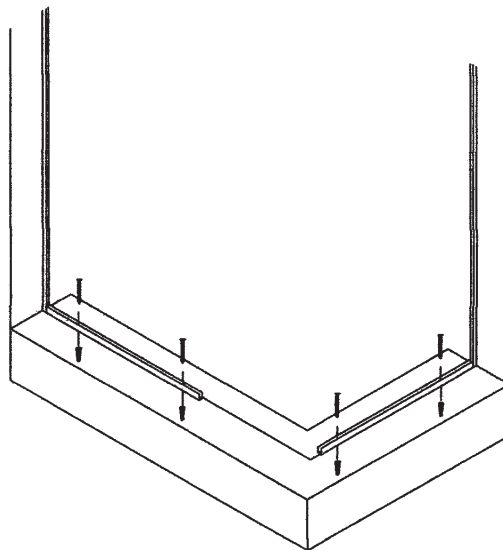
1. MARK THE CENTERLINE OF THE SILL LIGHTLY IN PENCIL.



2. CENTER THE WALL CHANNEL ON THE PENCIL MARK ON SILL PUSHED UP AGAINST WALL. PLUMB CHANNEL AND MARK MOUNTING HOLE LOCATIONS. DRILL 1/4" HOLES AND INSERT PLASTIC ANCHORS. SECURE CHANNEL TO WALL WITH #10x2" SCREWS. REPEAT FOR OPPOSITE JAMB.



3. POSITION THE BOTTOM CHANNEL ON THE SILL CENTERED ON PENCIL MARK AND PUSHED UP AGAINST THE WALL CHANNEL. MARK THE MOUNTING HOLE LOCATIONS. DRILL 1/4" HOLES AND INSERT PLASTIC ANCHORS. SQUIRT A LITTLE DAB OF SILICONE IN AND AROUND EACH ANCHOR. SECURE CHANNEL TO SILL WITH #10x2" SCREWS. SEAL SCREW HEADS WITH A LIBERAL COATING OF SILICONE. POSITION BOTTOM CHANNEL FOR THE FRONT PANEL ON SILL CENTERED ON THE PENCIL MARK WITH THE MITERED CORNERS TOGETHER. MARK HOLE LOCATIONS. DRILL 1/4" HOLES AND INSERT PLASTIC ANCHORS. SQUIRT A LITTLE DAB OF SILICONE IN AND AROUND EACH ANCHOR. SECURE CHANNEL TO SILL WITH #10x2" SCREWS. SEAL SCREW HEADS WITH A GENEROUS AMOUNT OF SILICONE. REPEAT FOR OPPOSITE SIDE.



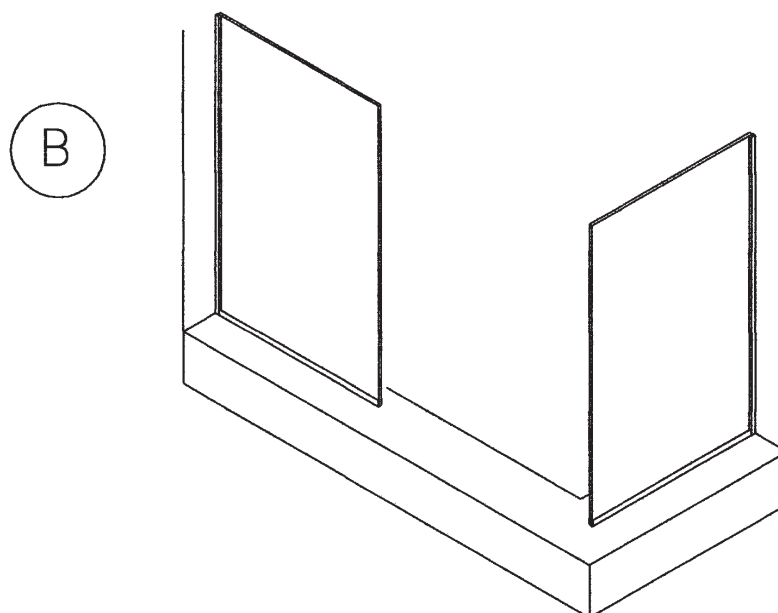
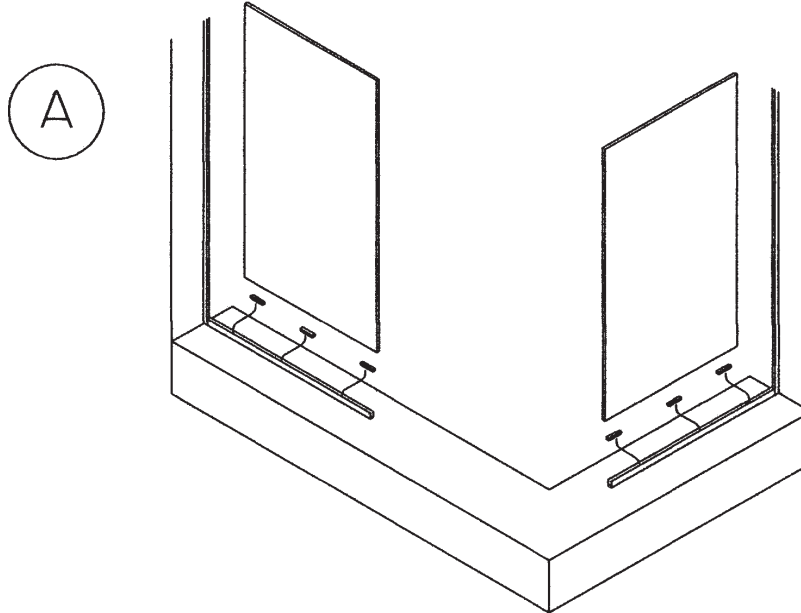
Installation Instruction

Models: HSD290 (1/2-in), ESD290 (3/8-in) or QSD290 (1/4-in)

Models: HLSD290 (1/2-in), ELSD290 (3/8-in) or QLSD290 (1/4-in)

WITH HEADER AND DOOR HINGED OFF PANEL

4. PLACE 1/4" SETTING BLOCKS INSIDE BOTH BOTTOM CHANNELS. POSITION THE END PANEL GLASS IN THE BOTTOM AND WALL CHANNEL. GLASS SHOULD BE PLUMB AND RISE ABOVE THE WALL CHANNEL BY 3/8". POSITION FRONT GLASS PANEL IN BOTTOM AND WALL CHANNEL. CHECK PANELS FOR PLUMB AND MAKE SURE TOP EDGES OF GLASS PANELS ARE ALIGNED. GLASS SHOULD PROTRUDE ABOUT 1/8" PAST END OF U-CHANNEL.



Installation Instruction

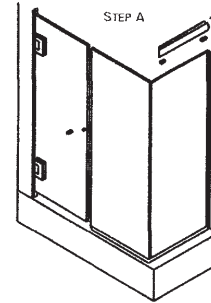
Models: HSD290 (1/2-in), ESD290 (3/8-in) or QSD290 (1/4-in)

Models: HLSD290 (1/2-in), ELSD290 (3/8-in) or QLSD290 (1/4-in)

WITH HEADER AND DOOR HINGED OFF PANEL

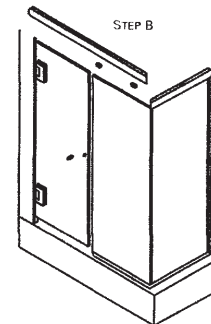
PLEASE NOTE: THE FOLLOWING STEPS APPLY TO HINGE ON WALL AND HINGE ON PANEL.

5. (STEP A) MEASURE TOP EDGE OF GLASS FROM WALL TO THE CORNER OF THE GLASS PANELS AND ADD 1/2". MEASURE THE LONG SIDE OF THE HEADER AND CUT HEADER AT SQUARE END. PLACE TWO SMALL PIECES OF GLAZING VINYL ON TOP EDGE OF GLASS. POSITION HEADER DOWN OVER THE TOP EDGE OF THE END PANEL.

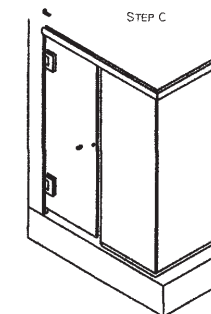


NOTE: SLIDE THE WALL MOUNTING BRACKETS INTO THE HEADER BEFORE INSTALLING THE FRONT HEADER.

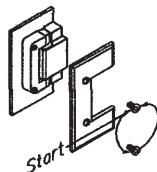
(STEP B) MEASURE FROM OPPOSITE WALL TO THE CORNER OF THE PANEL HEADER. CUT FRONT HEADER TO LENGTH AT SQUARE END. PLACE TWO SMALL PIECES OF GLAZING VINYL OVER THE TOP EDGE OF THE FRONT GLASS PANEL. POSITION FRONT HEADER DOWN OVER TOP EDGE OF PANEL GLASS. CHECK THE HEADERS TO MAKE SURE THEY ARE LEVEL.



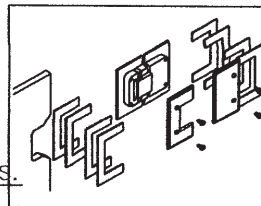
(STEP C) PLACE THE WALL MOUNTING BRACKETS INSIDE THE TOP CHANNEL OF THE HEADER. MARK THE HOLE LOCATIONS ON THE WALL AND WHERE THE BRACKET WILL BE ATTACHED TO THE HEADER. REMOVE THE HEADERS AND ASSEMBLE WITH THE CORNER BRACKET AND #8x3/8" SCREWS. DRILL 9/64" HOLES THROUGH HEADER TO ATTACH THE WALL MOUNTING BRACKETS. SECURE THE BRACKETS TO THE HEADER WITH #8x3/8" SCREWS. DRILL 1/4" HOLES AT WALL MOUNTING LOCATIONS AND INSERT PLASTIC ANCHORS. CUT FULL LENGTH GLAZING VINYL FOR THE TOP OF THE GLASS PANELS AND REINSTALL HEADER ASSEMBLY. SECURE TO WALL WITH #10x2" SCREWS.



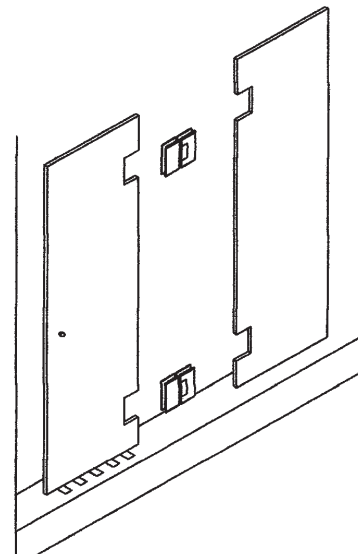
6. PLACE 1/2" SHIMS ALONG SILL TO SET DOOR GLASS ON. INSTALL THE HINGES ON THE PANEL SIDE FIRST USING TWO RUBBER GASKETS ON EACH HINGE. (USE TWO GASKETS PER SIDE FOR 3/8" GLASS, ONE GASKET PER SIDE FOR 1/2" GLASS) POSITION NOTCH IN GLASS INTO HINGE. INSTALL TWO REMAINING RUBBER GASKETS AND THE BACK PLATE OF THE HINGE WITH THE HEX HEAD SET SCREWS. ADJUST GLASS PANELS TO HAVE 1/8" SPACING BETWEEN THEM. PLUMB GLASS AND TIGHTEN SET SCREWS IN SEQUENCE SHOWN. REMOVE SHIMS AND CHECK DOOR FOR PROPER OPERATION.



HINGE ASSEMBLY



NOTE: REPEAT THE TIGHTENING SEQUENCE AS NEEDED TO ACHIEVE A GOOD HOLD ON THE GLASS.



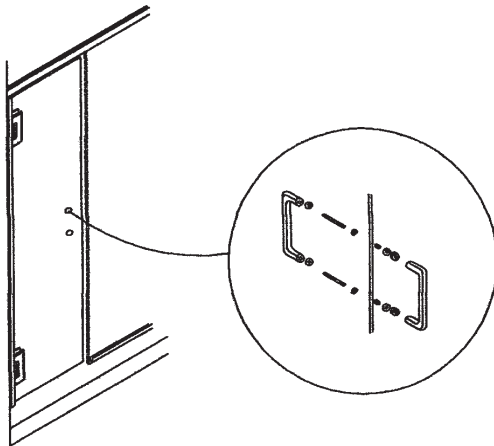
Installation Instruction

Models: HSD290 (1/2-in), ESD290 (3/8-in) or QSD290 (1/4-in)

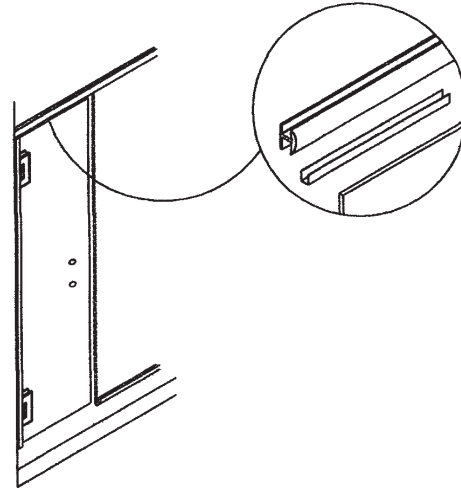
Models: HLSD290 (1/2-in), ELSD290 (3/8-in) or QLSD290 (1/4-in)

WITH HEADER AND DOOR HINGED OFF PANEL

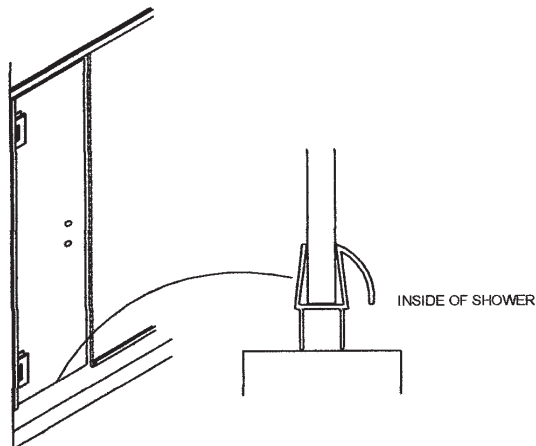
7. INSTALL THE HANDLE ASSEMBLY THROUGH HOLES IN DOOR GLASS USING THE PLASTIC SHIMS AND BUSHINGS.



8. MEASURE ABOVE DOOR BETWEEN THE HINGE JAMB AND THE PANEL. CUT THE CROWN FILLER TO SIZE AND SNAP INTO THE BOTTOM CHANNEL OF THE HEADER.



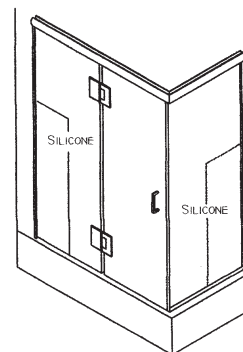
9. MEASURE THE WIDTH OF THE DOOR PANEL AT THE BOTTOM EDGE. CUT THE VINYL SWEEP TO SIZE. INSTALL OVER THE EDGE OF THE GLASS WITH THE HOOD TOWARDS THE INSIDE OF THE SHOWER.



10. — **Wet/Silicon Glaze Option**

Choose Glazing Method

INSERT CENTERING CLIPS INTO THE BOTTOM AND WALL CHANNELS. ENSURE SETTING BLOCKS ARE IN CURB AS WELL.
RUN A CONTINUOUS BEAD OF SILICONE ON BOTH SIDES OF THE STATIONARY PANELS WHERE THE GLASS AND U-CHANNEL MEET. ALLOW FOR THE SILICONE TO CURE FOR 24 HOURS BEFORE USING SHOWER.



— **or Dry Glaze Option**

USE SNAP GLAZING VINYL ON BOTH SIDE OF THE GLASS TO SECURE THE PANEL INTO POSITION.

NOTE: DO NOT USE CENTERING CLIPS IF YOU CHOOSE TO DRY GLAZE THE PANEL