

Installation Instructions for

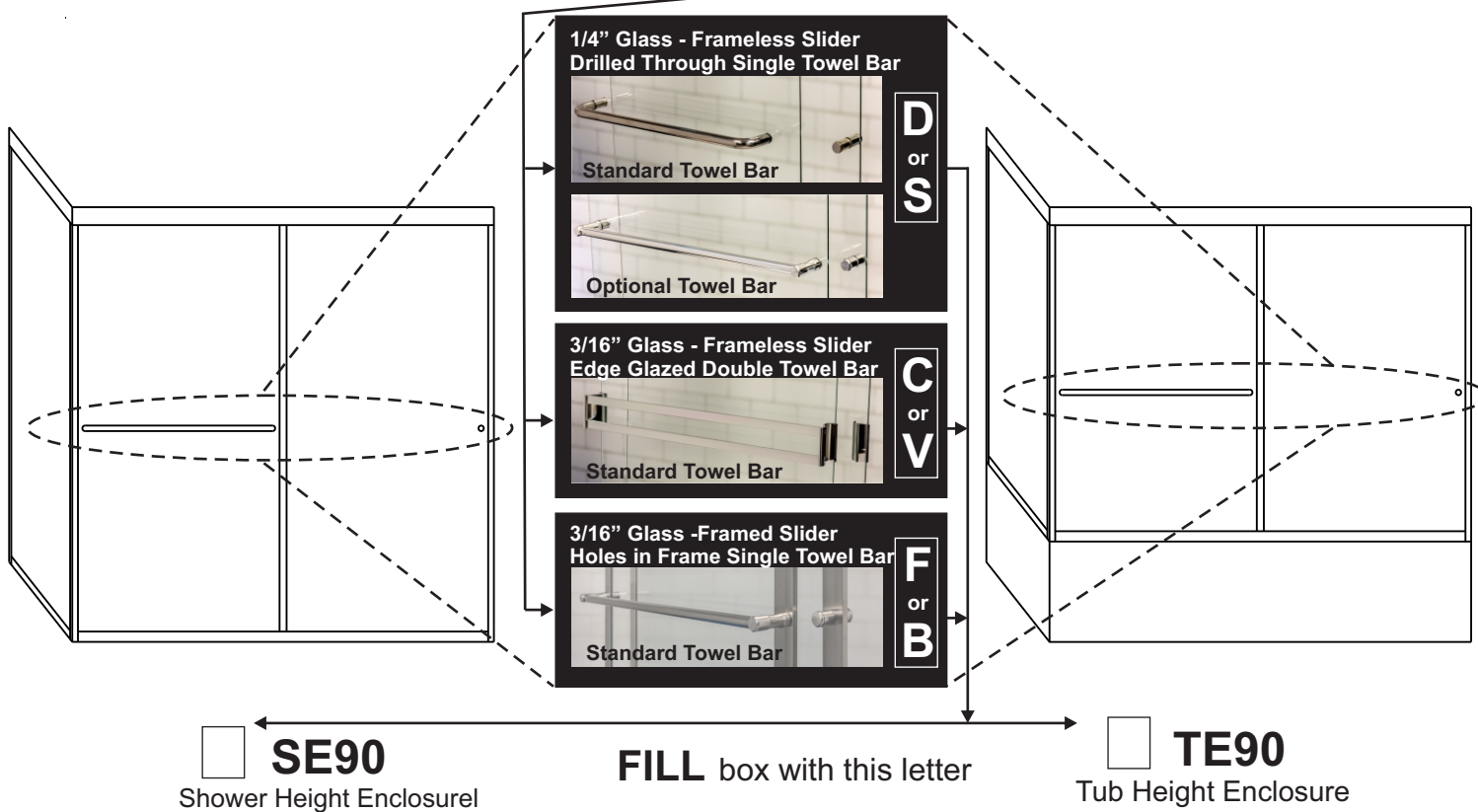
1/4" Door Models: **SSE/STE180** or **DSE/DTE180**
 3/16 Framed Models: **BSE/BTE180** or **FSE/FTE180**
 3/16" Door Models: **VSE/VSE180** or **CSE/CTE180**

BP.3138.SIL - C,D,F,V Slider 90° Install Bag

FIRST STEPS - Identify the model number of your unit.



- Look on the white shipping label on the outer cardboard box.
- **Model number** on label should correspond to one listed above.
 Or look below and identify by **towel bar type and glass thickness**

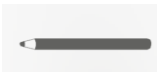


NOTE:

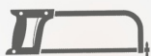
- Installation procedures are the same for tub or shower height units
- The images in this manual show an arrangement with the showerhead to the left. The same instructions apply for the opposite orientation where the examples would be reversed.

Required Tools

* Pencil or water soluble felt pen



* Hacksaw with 24 tooth blade



* Metal file (smooth sharp edges)



* Tape measure



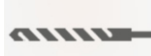
* Clear 100% Silicone (recommended)



* #2 Phillips Screw driver



* 1/8" 3/16", drill bits (carbide for tile)



* Caulking gun



* Drill, electric or battery



* 4 ft. Level



* Rubber mallet



* Razor knife



P/N MM.5039
rev022422

READ ENTIRE MANUAL BEFORE INSTALLATION AND OPERATION

Warnings and General Shower Door Information



**SAFETY
WARNINGS:**



READ AND FOLLOW INSTRUCTIONS: Failure to follow all instructions, warnings and guidelines may result in serious injury or death, may cause water damage, and will void the terms of your warranty.

General Safety and Installation Policies

Before Installation:

- **Proper Size:** Ensure the enclosure is the proper size for your opening prior to beginning installation.
- **Safe Installation:** Some units may require two or more people to safely install the enclosure properly.
- **Packaging:** It is recommended to retain all packaging and other materials until installation is complete in the event of a return.
- **Inspect:** Installer should inventory all parts or components and inspect them for damage prior to beginning installation.
- **Sharp Edges:** Exposed ends of aluminum and other hard components can be rough, sharp or jagged due to the processes of cutting, drilling, notching, etc. Sharp ends must be deburred, smoothed or rounded by the installer before installation.
- **Safety equipment and tools:** Have all necessary safety equipment (glasses and gloves) and proper tools for the installation. The installer is responsible for determining the correct drill bit(s) for the installation.
- **New Tile:** We recommend that you allow at least 2 days (48 hours) for the tile cement and grout to dry before installing enclosure.

During Installation



- **Proper backing:** Shower doors are heavy. Therefore, glazing channels, fillers, hinges and headers blocks (structural components) should be secured to studs or solid backing beneath the tile or decorative substrate. Fasteners should screw directly into the backing. Wall anchors are provided primarily to separate screws from tile to reduce the possibility of cracking.

- **Tempered glass:** Glass can break. Shower door panels are tempered to ASTM C1048 specifications as required by building codes. Glass is tempered to greatly increase its strength and to make it fragment into smaller and lighter pieces reducing the possibility of injury in the event that the glass does break. Tempered glass will break and may cause bodily injury if you attempt to cut, drill, mill or alter it in any way. Care must be taken when handling tempered glass. Pay special attention to protect all edges of the glass from contact with hard surfaces.
- **Horizontal surfaces and installation holes:** Avoid drilling into the horizontal surfaces of tubs or showers unless it is required for the structural integrity of the unit. If you drill into horizontal surfaces, always generously caulk the holes, anchors, screws and on top of the screw head. If this is not done, or is done improperly, water damage can occur under the tile or substrate.
- **Weep holes in horizontal channels:** Drilling 3/8" weep holes on the inside of horizontal channels is recommended to allow any moisture build-up inside a channel to exit the channel. Due to varying installation conditions and installer's/owner's personal preference, however, we do not drill them in the factory.
- **Sliding and swinging glass doors:** A door may be improperly installed if it hits or scrapes against bathroom obstructions (toilets or cabinets) or any metal or glass components of the shower door itself. This could lead to glass breakage or serious injury. The installer must correct the deficiencies before allowing the door to be used.
- **Surface conditions:** Most shower door designs allow for out-of-square or unlevel installation. Generally, any outage more than 3/8" that was not identified during the ordering process is outside of these allowances and can result in an improper installation.

Caulking/Siliconing the Unit:

- Always clean all contact surfaces before caulking and use a high grade 100% silicone for best results.
- After installation, at a minimum, caulk the entire outside perimeter of the unit where the unit touches walls, sills, and step-ups, etc. Also caulk any vertical joints between metal components where water build-up inside of the channels could leak out.

After Installation:

- **Curing times:** Adhere to manufacturers' recommended curing times for VHB tapes, silicones and any other adhesives, coatings or chemicals used during installation. Unless otherwise stated, it is recommended to wait 72 hours before using the enclosure.
- **Normal wear and tear:** Although these enclosures are designed to last for years, certain items (such as the polycarbonate seals and door sweeps) may need to be replaced as they show signs of aging and wear.

General Disclaimers

- **Shower Doors are not watertight:** Consumers should understand that a shower door is not watertight. The amount of water that can escape your shower can vary greatly based on shower/tub size, configuration of shower head(s), type of thresholds and drains and by the type of shower door itself. Heavy glass units with no or limited vinyl seals, for example, can allow water to escape under normal conditions. Doors with more metal and seals generally provide more water protection. Excessive water pressure or directing shower heads or hand held sprays directly at doors or joints is not a normal shower conditions and can result in leaks.
- **Towel bars, handles and accessories** are in no way considered to be grab bars or other bracing or fall prevention mechanisms. The intent of these accessories is to facilitate proper operation or enhance the esthetics and functionality of the unit.

Owners Manual:

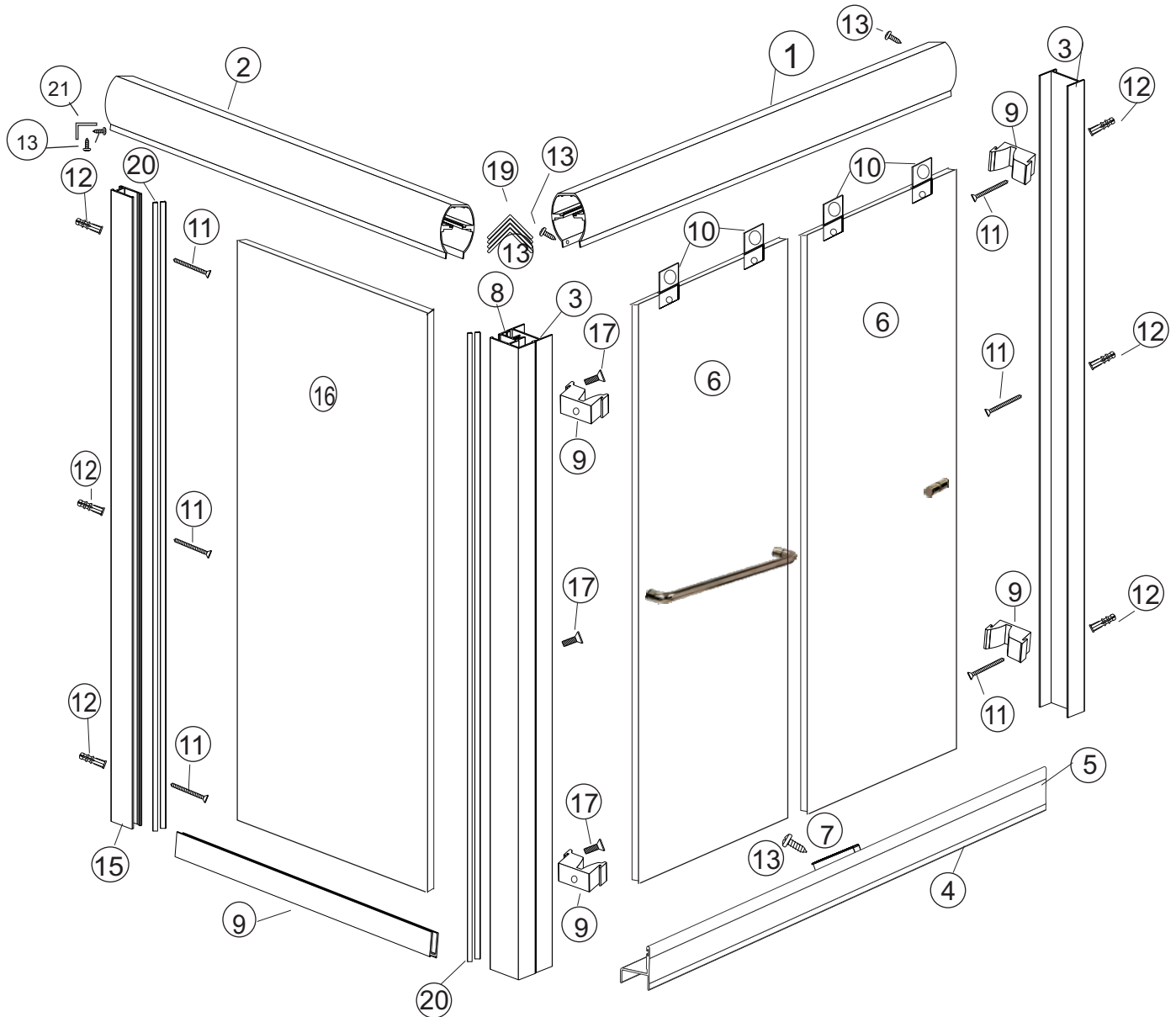
Refer to your Owners Manual for general installation and cleaning and care instructions. If a copy of the Owners Manual was not included, you can download one on the RESOURCES page of our website.

Questions or Comments:

1-800-843-3332

Parts Diagram for DSE, DTE, SSE or STE

(Installation procedure is the same regardless of height of unit)

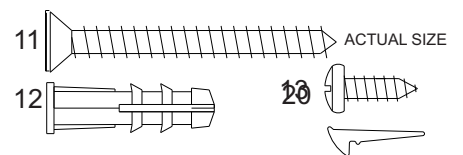


Parts List

Item	Part#	Description	QTY
1	EX.1049	Slider Section Tub Header	1
2	EX.1049	90° Section Tub Header	1
3	EX.1051	Tub Jamb	2
4	EX.1062	Stay Clean Sill	1
5	VN.4032	T-Fin	1
6		Sliding Glass Panels	2
7	BP.3541	AVG-3 Center Guide	1
8	EX.1160	90 Tub Jamb	1
9	EX.1070	Panel Sill	

Item	Part#	Description	QTY
9	BP.3541	Bumper Guides	4
10	SP.2256	Hanger Brkts	4
11	BP.3027	#8 X 1 1/2 FHPHMS	6
12	BP.3027	Wall Anchor	6
13	BP.3027	#6 X 3/8 PH	3
14	HA.27XX	Towel Bar/Screw kit	1
15	EX.1268	Wall Channel	1
16		90 Fixed Panel	1
17	BP.3138	#8-32 X 1/2 FH	3

Item	Part#	Description	QTY
18	BP.3000	Anti jump Bag	1
19	BP.3138	90 Tub Header Clips	4
20	VN.4031	Snap Glazing Vinyl	4
21	BP.3138	Header Support Clip	1



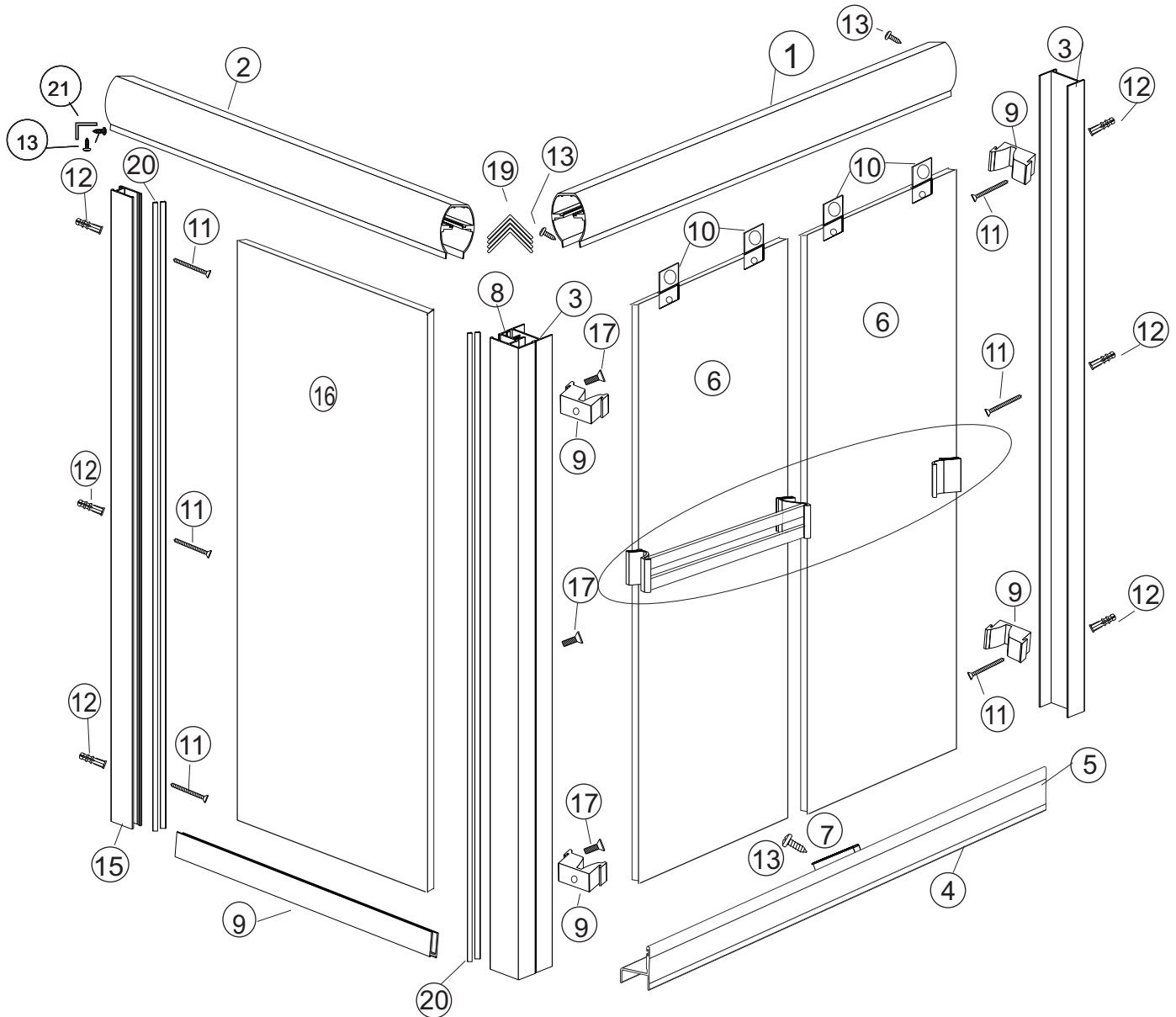
Optional Parts



Optional Towel Bar BP.3214 (at left) installation steps are on page 8

Parts Diagram for CSE, CTE, VSE or VTE

(Installation procedure is the same regardless of height of unit)

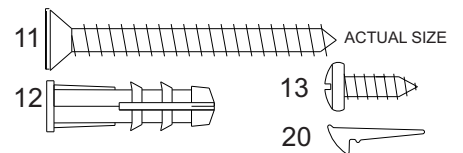


Parts List

Item	Part#	Description	QTY
1	EX.1049	Slider Section Tub Header	1
2	EX.1049	90° Section Tub Header	1
3	EX.1051	Tub Jamb	2
4	EX.1062	Stay Clean Sill	1
5	VN.4032	T-Fin	1
6		Sliding Glass Panels	2
7	BP.3541	AVG-3 Center Guide	1
8	EX.1160	90 Tub Jamb	1
9	EX.1070	Panel Sill	

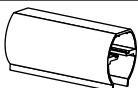
Item	Part#	Description	QTY
9	BP.3541	Bumper Guides	4
10	SP.2256	Hanger Brkts	4
11	BP.3027	#8 X 1 1/2 FHPHMS	6
12	BP.3027	Wall Anchor	6
13	BP.3027	#6 X 3/8 PH	3
14	PB.3344	Towel Bar/Screw kit	1
15	EX.1268	Wall Channel	1
16		90 Fixed Panel	1
17	BP.3138	#8-32 X 1/2 FH	3

Item	Part#	Description	QTY
18	BP.3000	Anti jump Bag	1
19	BP.3138	90 Tub Header Clips	4
20	VN.4031	Snap Glazing Vinyl	4
21	BP.3138	Header Support Clip	1

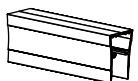


Extra screws may be provided for your convenience

Optional Parts



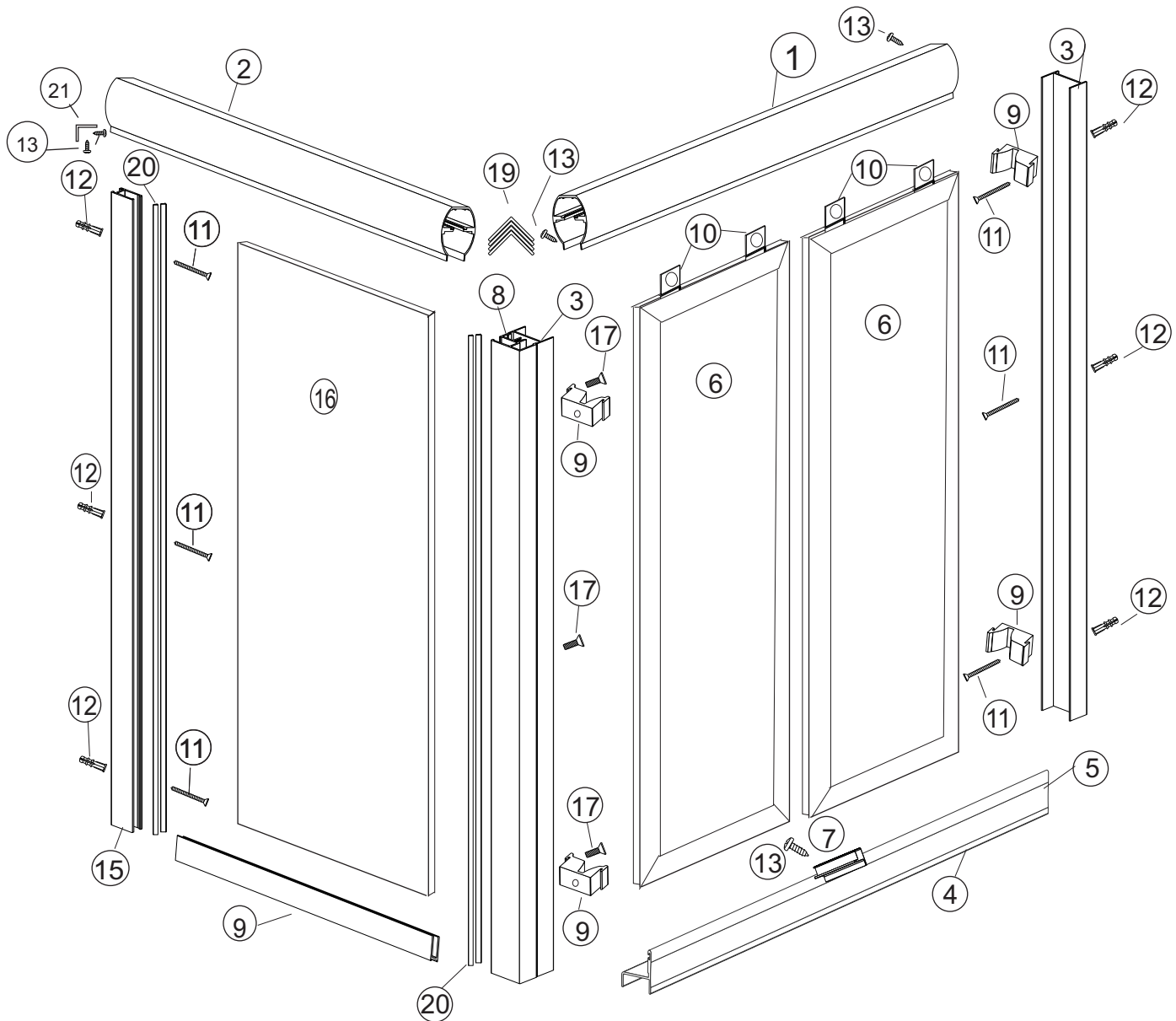
EX.1049 Tub Header (at left) is standard on CSE and CTE and optional on VSE and VTE



EX.1040 Tub Header (at left) is standard on VSE and VTE and optional on CSE and CTE

Parts Diagram for BSE, BTE, FSE or FTE

(Installation procedure is the same regardless of height of unit)

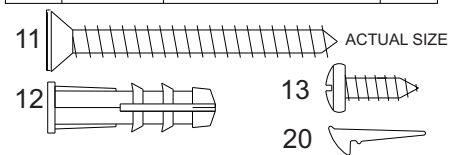


Parts List

Item	Part#	Description	QTY
1	EX.1049	Slider Section Tub Header	1
2	EX.1049	90° Section Tub Header	1
3	EX.1051	Tub Jamb	2
4	EX.1062	Stay Clean Sill	1
5	VN.4032	T-Fin	1
6		Sliding Glass Panels	2
7	BP.3542	Center Guide	1
8	EX.1160	90 Tub Jamb	1
9	EX.1070	Panel Sill	

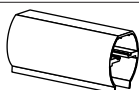
Item	Part#	Description	QTY
9	BP.3542	Bumper Guides	4
10	SP.2256	Hanger Brkts	4
11	BP.3027	#8 X 1 1/2 FHPHMS	6
12	BP.3027	Wall Anchor	6
13	BP.3027	#6 X 3/8 PH	3
14	HA.3214	Towel Bar/Screw kit	1
15	EX.1268	Wall Channel	1
16		90 Fixed Panel	1
17	BP.3138	#8-32 X 1/2 FH	3

Item	Part#	Description	QTY
18	BP.3000	Anti jump Bag	1
19	BP.3138	90 Tub Header Clips	4
20	VN.4031	Snap Glazing Vinyl	4
21	BP.3138	Header Support Clip	1



Extra screws may be provided for your convenience

Optional Parts



EX.1049 Tub Header (at left) is standard on CSE and CTE and optional on VSE and VTE



EX.1040 Tub Header (at left) is standard on VSE and VTE and optional on CSE and CTE

Installation Instructions

All Models

STEP - 1 Centerline:

Locate the center of the threshold and mark it with a water soluble marker. Please see in illustration #2, note that the wall channel #15 is installed 7/16" in front of the centerline. Set the center of the wall channel 7/16" in front of the centerline. Plumb it and anchor it with 3 - 1 1/2 screws #11 and #12 wall anchors.

STEP - 2 - 90 Fixed Panel

Cut the panel sill #9 to the width of the glass sidelite panel #16 and put setting blocks in the channel. Place the panel sill #9 on the bottom of the #16 glass. Place in the glass panel and sill into the wall channel approximately 1/2" and secure to threshold with painter's tape. Slide the #8 90 Tub Post over the edge of the glass panel. Plumb the post #8 and secure it and the #15 wall channel to the glass with #20 glazing vinyl and painters tape as needed.

STEP - 3 - Stay Clean Sill

Attach #3 Tub Jamb to #8 90 Post as shown on exploded view. Ensure you insert the #9 Bumper Guides inside the Tub Jamb with the pocket to the outside of the unit. Fasten them with #17 screws. Measure the distance from the shower head wall to the inside of the #3 Tub Jamb @ 90°. Take this distance and deduct 5/16" and cut the #2 Stay Clean Sill to this size.

Place the center guide #6 on the center of the Sill #2 and drill an 1/8 hole. Do not attach center guide at this time. Place the Stay Clean Sill #2 directly over and parallel to the centerline. Hold in place with painters tape.

STEP - 4 Shower Head Wall Tub Jamb

Install the Tub Jamb #3 opposite the fixed panel wall. With a level, plumb the Tub Jamb and mark only the bottom factory hole location. Drill the hole with a 3/16 drill bit (Carbide bit for tile) and insert 1 Wall Anchor #12.

Insert 1 bumper guide and secure w/ 1 -#8 X 1 1/2 FPHSMS into the bottom hole. Orient bumper guide pocket so it is to the inside of the shower. Tighten the screw until snug. Secure the top of the #3 Tub Jamb with painter's tape

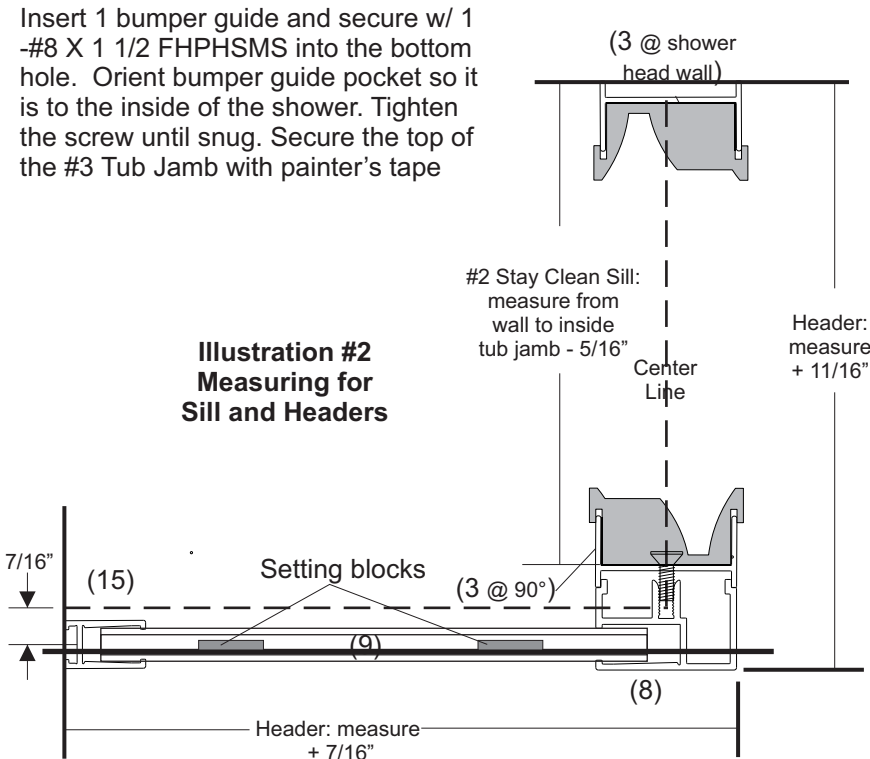
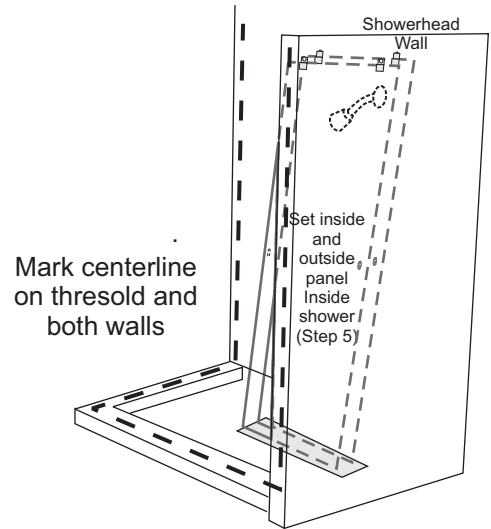


Illustration #2
Measuring for
Sill and Headers

Centerline Marking Detail



90° Panel Detail

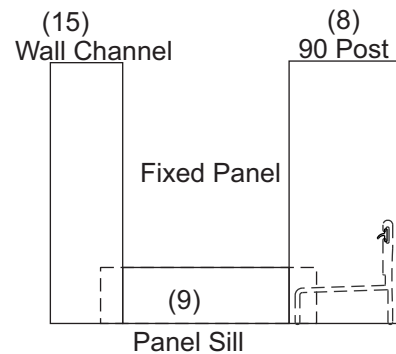
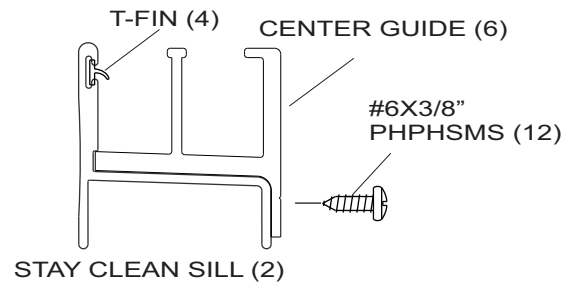
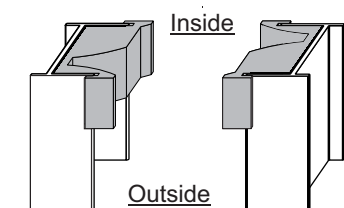


illustration #3

Sill Detail



Bumper Guide Orientation Detail for showerhead right



Reverse above orientation for showerhead left

Installation Instructions

All Models

STEP - 5 Tub Header

Cutting Headers - Measure from outside of 90° Post to each wall and add 7/16". This is the length of the headers from the straight cut at the walls to the tips of the metered ends. See Illustration #2 previous page.

Assemble Headers - Insert 4 each Header clips #19 as shown in Illustration #4. Drill 1/8" hole between the clips and insert #6 X 3/8 PH screws to force the clips apart and hold the miter together.

Drill a 1/8" hole at each end on the inside of the slider section header, see to detail to the right.. Screw size is #6 X 3/8 PH #13. Only drill one hole in the 90° header section

Optional Anti-Jump Kit: Parts Bag BP.3000.NTL - Anti-Jump Runners 17 and follow installation instructions. *NOTE: Use of runners are encouraged, but optional, and must be ordered separately on some units*

Slider Panel Prep - Place inside slider glass (Knob Panel) inside the showerl. Ensure the rollers are facing the wall and knob hole is towards the shower head. Lean against the back wall. Use pad to protect the glass/tile from damage. Also, place the outside panel in the shower, rollers facing out.

Test Fit Header Assembly - set header in place over the Tub Jambs but do not secure at this time.

STEP - 6 - Sliding Panel Installation:

Make sure that the Tub Jamb on the showerhead side (only one screw) is snug, and secured with painters tape.

Hang outside glass panel (Towel Bar Panel) in place inside the header and slide to the 90° Post. Do not drill any holes in the 90° header section.

Ensure rollers on both panels are fully seated into the header tracks

Install the Center Guide (6) and secure it with one #6x3/8" MS (13).

STEP - 7- Tub Jamb Adjustment and fastening:

Test Pocketing of Slider Panels: standing outside the shower, move the sliding panels one at a time into the proper side of unit.

Adjust the header side to side at the shower head wall (you will have to remove and reapply painter's tape) until both panels pocket perfectly into both Bumper Guides #9 and Tub Jambs #3.

Mark Tub Jamb Holes - mark the remaining two holes of the Tub Jamb onto the showerhead wall.

Remove Sliding Panels - slide both panels back to the showerhead Tub Jamb. Remove the Center Guide

Remove both sliding panels and set them in a safe place on a padded surface

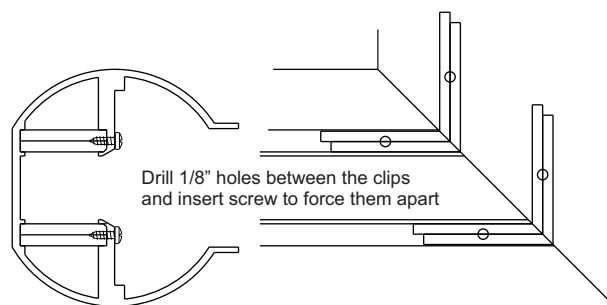
Secure Tub Jamb - Rotate the Tub Jamb out of the way just far enough to reveal the marked holes and drill the holes with a 3/16" drill bit

Insert two Wall Anchors (11)

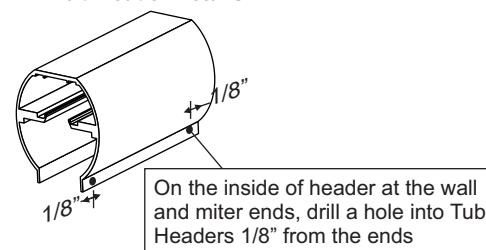
Re-align Tub Jamb and secure with two #8 X 1-1/2" FHPHMS (10). install the top Bumper Guide (7) with the top screw

Reinstall both of the sliding glass panels as you did earlier in the last step, then reinstall the Center Guide

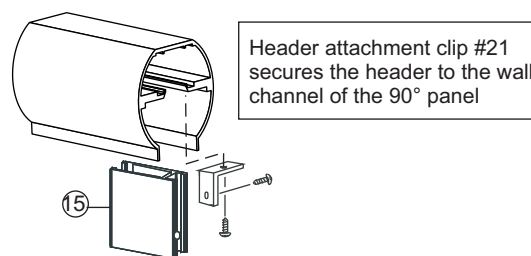
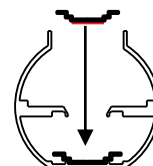
Illustration #4 Header Miter Clips



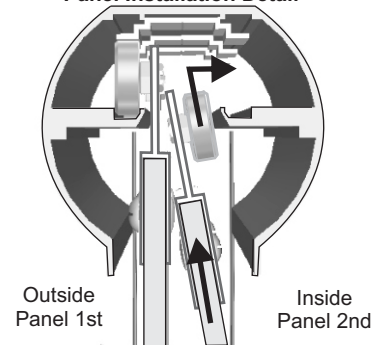
Tub Header Details



Optional BP.3000 Anti Jump Runners: installed in EX.1049 Tub Header



Panel Installation Detail



Installation Instructions

All Models

STEP 8 - Towel Bar Installation

Follow instructions provided with towel bar kit.

STEP 9 - Panel Adjustment for out-of-square walls:

To adjust the sliding panels for out-of-square wall conditions or to level them, etc., locate the hex nuts in the Hanger Brackets (10) and the Adjustment Wrench provided in the parts kit.

NOTE: The panels can be adjusted while still hanging in the header.

Loosen the hex nut with the special wrench until roller can slide along the angled slot on the Hanger Bracket (10).

Raise or lower each side of the panel by sliding the roller along the angled slot until desired adjustment is achieved

Be sure to re-tighten the screws.

STEP 10- Header Attachments

Secure the slider header section to the Tub Jamb and 90° Post by drilling through the holes in the header, from the inside of the shower, into the Tub Jambs and posts with a 1/8" drill bit. Secure with two #6 X 3/8" PHPSMS (Item #13) as shown in illustration #8.

Secure 90° header section to wall channel #15 with header support clip using two #6 X 3/8" PHPSMS (Item #13) as shown in illustration #8.

STEP 11 - Sealant

Remove all Painter's Tape used during the installation.

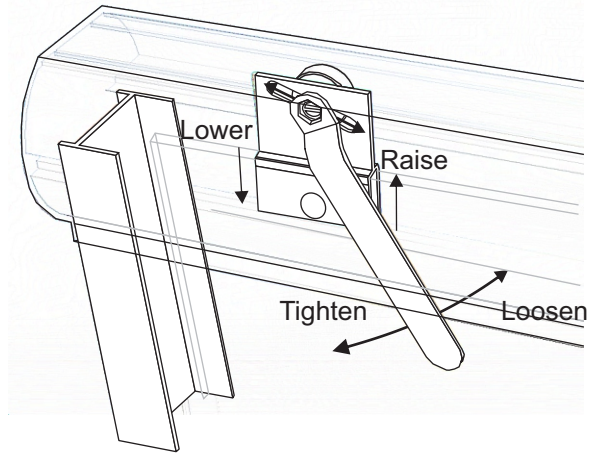
Starting at the top of a tub jamb, apply a bead of sealant along the entire outside of the enclosure where it meets the wall and base. End at the top of the wall channel.

Also seal as needed at the:

- Bottom corners where the Tub Jambs meet the Stay Clean Sill
 - Starting from the outside caulk the vertical joint between the tub jamb and sill.
 - Move inside the shower and continue to caulk this joint until you finish the run where the vertical joint meetings the threshold on the inside.
 - These joints must be totally sealed for a leak proof and structurally secure installation.
- Vertical joint of the wall channel and the 90° post.

NOTE: For optimum results allow the sealant to dry for 24 hours before running the shower.

Panel Adjustment Detail



Header Attachment Detail

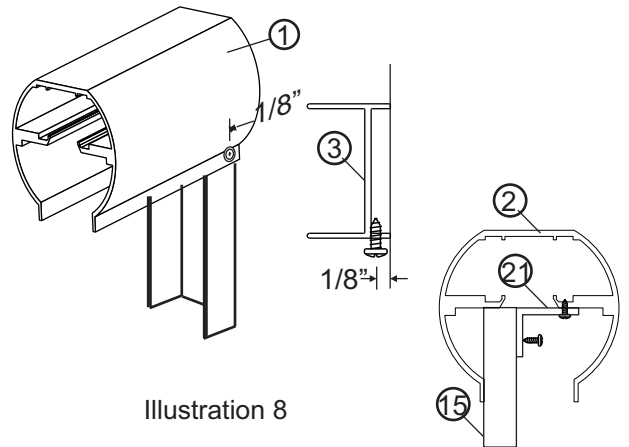
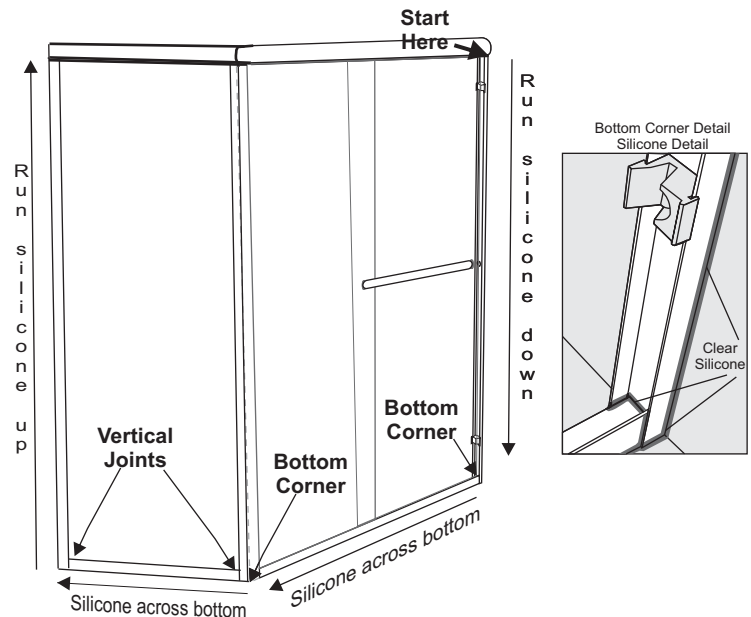


Illustration 8

Sealant Detail



Thank you for choosing this great product!

Please refer to your Owner's Manual for Warranty Registration and Cleaning and Care Instructions

Questions or Comments:

1-800-843-3332