

Installation Instructions

Models: ASDNEO / ASD2/3NEO

1/4" Semi Frameless Door & 135° Panel(s)



P/N MM.5066
rev011425

BP.3110.SIL - AS-Neo Install Bag

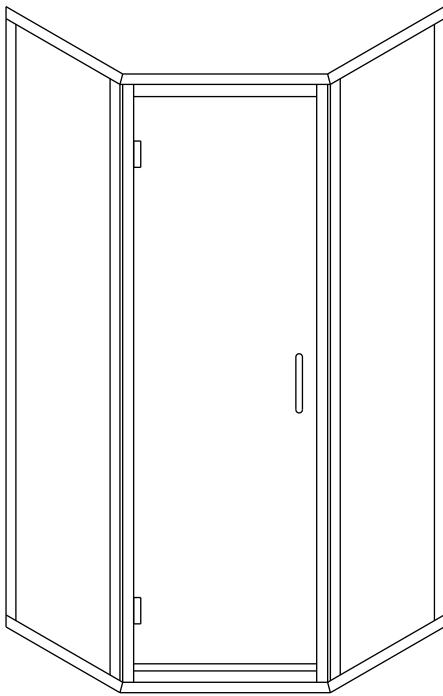
This installation sheet is a required component in Parts Bag BP.3110



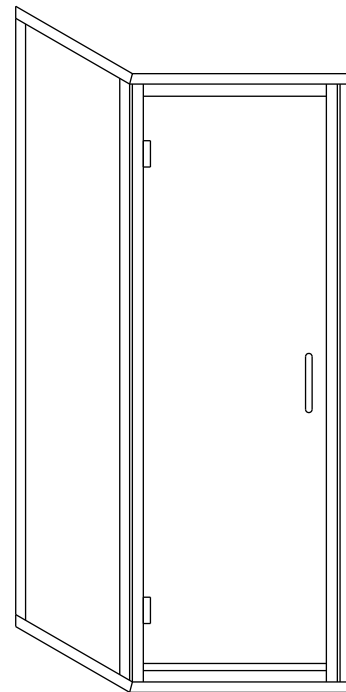
Thank you for purchasing this outstanding product!
This booklet will help you install your units safely and successfully.

**IMPORTANT: Read and follow all warnings
and General Shower Door Information
on next page before beginning installation!**

Pick a unit below that best represents your configuration.



ASDNEO



ASD2/3NEO

General Required Tools

- * Pencil or water soluble felt pen
- * Hacksaw with 24 tooth blade
- * Metal file (smooth sharp edges)
- * Tape measure
- * Drill, electric or battery
- * #2 Phillips Screw driver
- * 3/16" Carbide drill bit for tile
- * #32 Wire Gauge Drill bit for metal
- * Caulking gun
- * Clear 100% Silicone (recommended)
- * 4 ft. Level
- * Rubber mallet
- * Razor knife
- * Blue painters tape
- * Booklet: MM.5066

READ ENTIRE MANUAL BEFORE INSTALLATION AND OPERATION

Warnings and General Shower Door Information



**SAFETY
WARNINGS:**



READ AND FOLLOW INSTRUCTIONS: Failure to follow all instructions, warnings and guidelines may result in serious injury or death, may cause water damage, and will void the terms of your warranty.

General Safety and Installation Policies

Before Installation:

- **Proper Size:** Ensure the enclosure is the proper size for your opening prior to beginning installation.
- **Safe Installation:** Some units may require two or more people to safely install the enclosure properly.
- **Packaging:** It is recommended to retain all packaging and other materials until installation is complete in the event of a return.
- **Inspect:** Installer should inventory all parts or components and inspect them for damage prior to beginning installation.
- **Sharp Edges:** Exposed ends of aluminum and other hard components can be rough, sharp or jagged due to the processes of cutting, drilling, notching, etc. Sharp ends must be deburred, smoothed or rounded by the installer before installation.
- **Safety equipment and tools:** Have all necessary safety equipment (glasses and gloves) and proper tools for the installation. The installer is responsible for determining the correct drill bit(s) for the installation.
- **New Tile:** We recommend that you allow at least 2 days (48 hours) for the tile cement and grout to dry before installing enclosure.

During Installation



- **Proper backing:** Shower doors are heavy. Therefore, glazing channels, fillers, hinges and headers blocks (structural components) should be secured to studs or solid backing beneath the tile or decorative substrate. Fasteners should screw directly into the backing. Wall anchors are provided primarily to separate screws from tile to reduce the possibility of cracking.

- **Tempered glass:** Glass can break. Shower door panels are tempered to ASTM C1048 specifications as required by building codes. Glass is tempered to greatly increase its strength and to make it fragment into smaller and lighter pieces reducing the possibility of injury in the event that the glass does break. Tempered glass will break and may cause bodily injury if you attempt to cut, drill, mill or alter it in any way. Care must be taken when handling tempered glass. Pay special attention to protect all edges of the glass from contact with hard surfaces.
- **Horizontal surfaces and installation holes:** Avoid drilling into the horizontal surfaces of tubs or showers unless it is required for the structural integrity of the unit. If you drill into horizontal surfaces, always generously caulk the holes, anchors, screws and on top of the screw head. If this is not done, or is done improperly, water damage can occur under the tile or substrate.
- **Weep holes in horizontal channels:** Drilling 3/8" weep holes on the inside of horizontal channels is recommended to allow any moisture build-up inside a channel to exit the channel. Due to varying installation conditions and installer's/owner's personal preference, however, we do not drill them in the factory.
- **Sliding and swinging glass doors:** A door may be improperly installed if it hits or scrapes against bathroom obstructions (toilets or cabinets) or any metal or glass components of the shower door itself. This could lead to glass breakage or serious injury. The installer must correct the deficiencies before allowing the door to be used.
- **Surface conditions:** Most shower door designs allow for out-of-square or unlevel installation. Generally, any outage more than 3/8" that was not identified during the ordering process is outside of these allowances and can result in an improper installation.

Caulking/Siliconing the Unit:

- Always clean all contact surfaces before caulking and use a high grade 100% silicone for best results.
- After installation, at a minimum, caulk the entire outside perimeter of the unit where the unit touches walls, sills, and step-ups, etc. Also caulk any vertical joints between metal components where water build-up inside of the channels could leak out.

After Installation:

- **Curing times:** Adhere to manufacturers' recommended curing times for VHB tapes, silicones and any other adhesives, coatings or chemicals used during installation. Unless otherwise stated, it is recommended to wait 72 hours before using the enclosure.
- **Normal wear and tear:** Although these enclosures are designed to last for years, certain items (such as the polycarbonate seals and door sweeps) may need to be replaced as they show signs of aging and wear.

General Disclaimers

- **Shower Doors are not watertight:** Consumers should understand that a shower door is not watertight. The amount of water that can escape your shower can vary greatly based on shower/tub size, configuration of shower head(s), type of thresholds and drains and by the type of shower door itself. Heavy glass units with no or limited vinyl seals, for example, can allow water to escape under normal conditions. Doors with more metal and seals generally provide more water protection. Excessive water pressure or directing shower heads or hand held sprays directly at doors or joints is not a normal shower conditions and can result in leaks.
- **Towel bars, handles and accessories** are in no way considered to be grab bars or other bracing or fall prevention mechanisms. The intent of these accessories is to facilitate proper operation or enhance the esthetics and functionality of the unit.

Owners Manual:

Refer to your Owners Manual for general installation and cleaning and care instructions. If a copy of the Owners Manual was not included, you can download one on the RESOURCES page of our website.

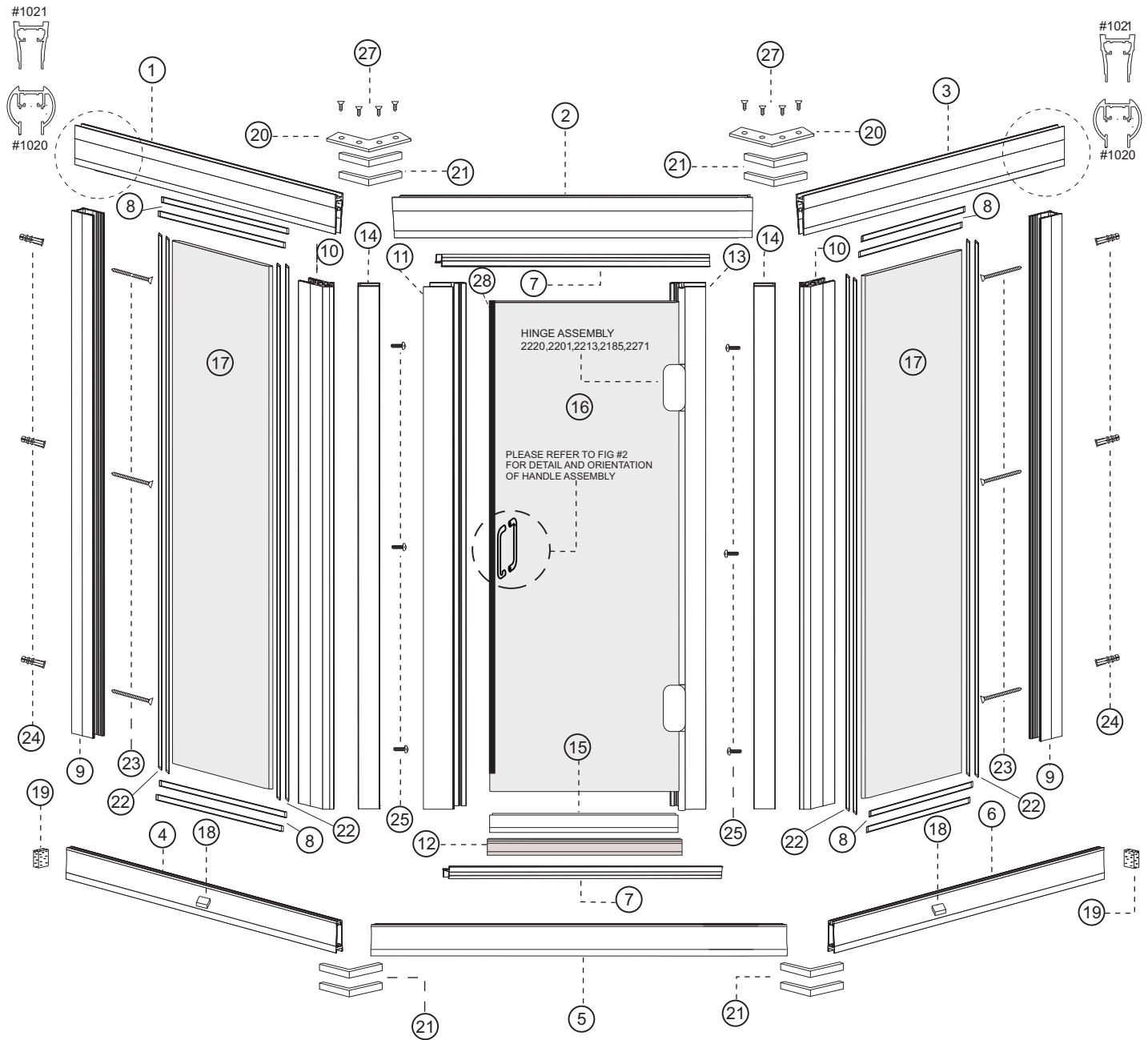
Questions or Comments:

1-800-843-3332

Installation Instructions

Models: ASDNEO

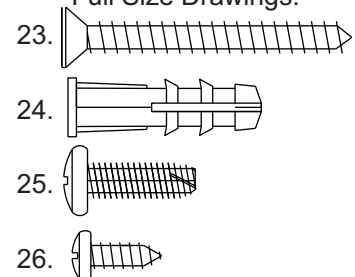
1/4" Semi Frameless Door & 135° Panels



Parts List

1	Left Sec. Header	1	12	VN.4018 Bottom Sweep	1	23	SP.2101 8x1 1/2 PHFHSMS	6
2	Center Sec. Header	1	13	EX.1002 Hinge Jamb	1	24	SP.2217 Wall Anchors	6
3	Right sec. Header	1	14	EX.1003 Jamb filler	1	25	SP.xxxx 10-24 x 9/16PHSMS	6
4	Left Sec. Curb	1	15	EX.1109 Drip Deflector	1	26	SP.2102 6 x 3/8 PHPHSMS	6
5	Center Sec. Curb	1	16	Door Glass Panel	1	27	SP.2103 6 x 3/8 FHPHSMS	8
6	Right Sec. Curb	1	17	Side lite panels	2	28	VN.4102 Adhesive Magnet	1
7	Curb Filler	2	18	SP.XXXX Setting Blocks	2	29	SP.2110 8 X 1/2 PHPHTEK	6
8	VN.4011 Header/Curb Seal	8	19	SP.XXXX Foam Curb Plugs	2			
9	EX.1026 Wall Channel	2	20	SP.XXXX Header Plates	2			
10	EX.1029 135° Post	2	21	SP.XXXX Header/Curb Clips	8			
11	EX.1193 Latch jamb	1	22	VN.4013 Glazing Vinyl	8			

Full Size Drawings:



Extra screws may be provided for your convenience

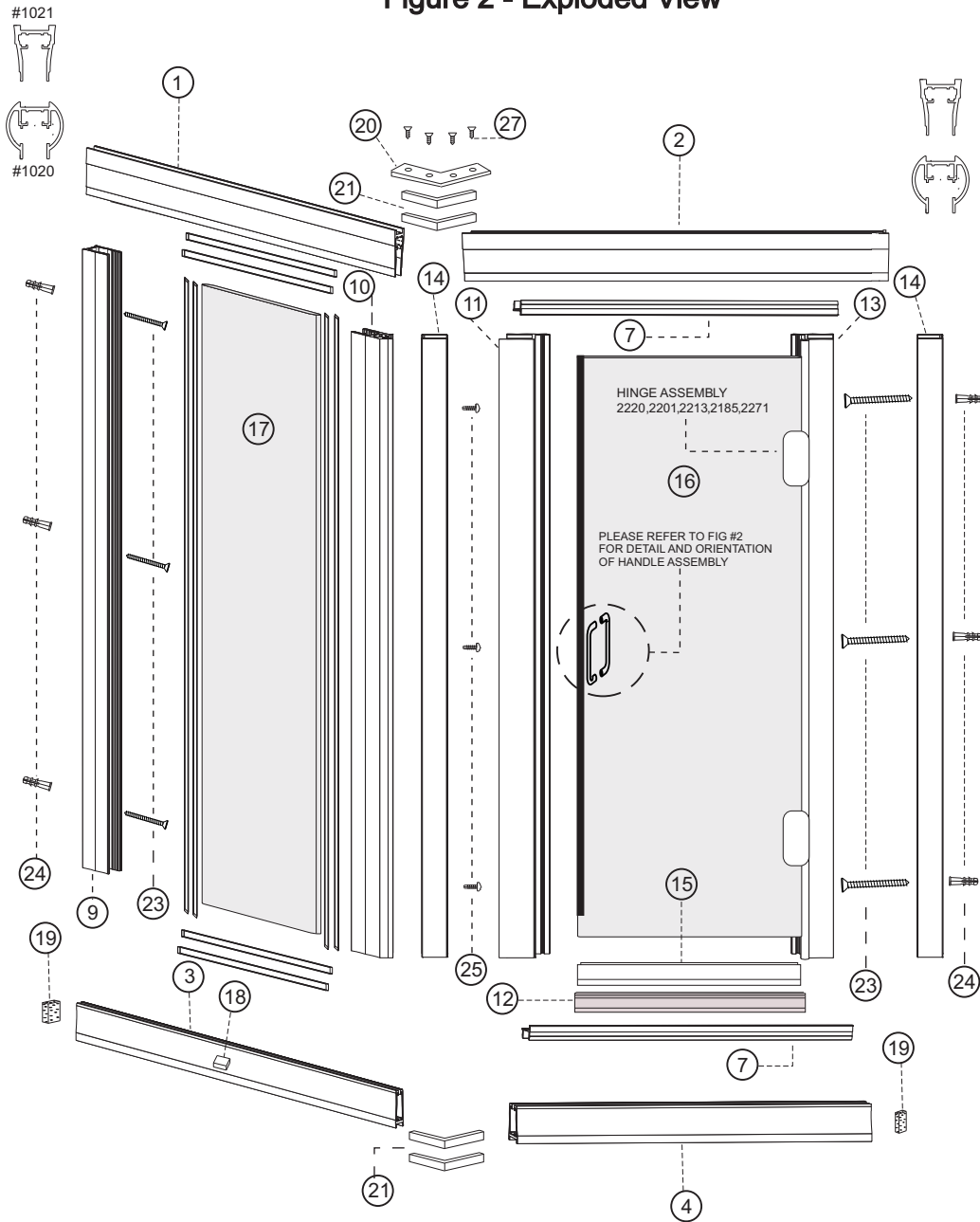


Installation Instructions

Models: ASD2/3NEO

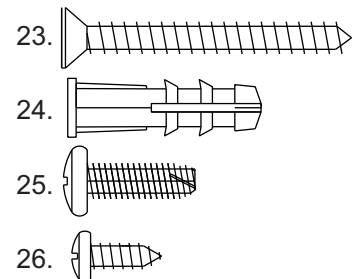
1/4" Semi Frameless Door & 135° Panel

Figure 2 - Exploded View



Parts List

1	Left Sec. Header	1	12	VN.4018 Bottom Sweep	1	23	SP.2101 8x1 1/2 PHFHSMS	6
2	Right sec. Header	1	13	EX.1002 Hinge Jamb	1	24	SP.2217 Wall Anchors	6
3	Left Sec. Curb	1	14	EX.1003 Jamb filler	2	25	SP.xxxx 10-24 x 9/16PHSMS	3
4	Right Sec. Curb	1	15	EX.1109 Drip Deflector	1	26	SP.2102 6 x 3/8 PHFHSMS	3
			16	Door Glass Panel	1	27	SP.2103 6 x 3/8 FHPHSMS	4
			17	Side lite panels	1			
7	Curb Filler	2	18	SP.XXXX Setting Blocks	1			
8	VN.4011 Header/Curb Seal	4	19	SP.XXXX Foam Curb Plugs	2			
9	EX.1026 Wall Channel	1	20	SP.XXXX Header Plates	1			
10	EX.1029 135° Post	1	21	SP.XXXX Header/Curb Clips	4			
11	EX.1193 Latch jamb	1	22	VN.4013 Glazing Vinyl	4			



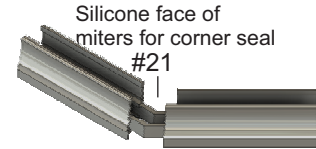
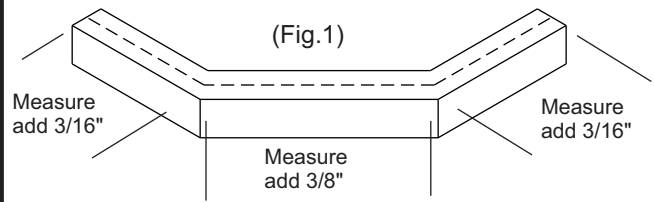
Installation Instructions

Models: ASDNEO/ASD2/3NEO

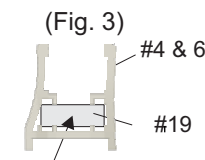
1/4" Semi Frameless Door & 135° Panel(s)

STEP 1 - Curb Installation (#4, 5 & 6)

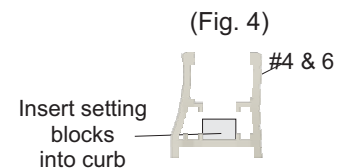
- * Draw a pencil line down the center of the threshold.
- * Measure from each wall to where the lines intersect. Add 3/16" to each of these dimensions and cut each Stall Curb to this dimension measuring from the mitered end and cut off the square cut end. (ITEM #4 & 6)
- * Measure the center section between the two intersections and add 3/8" and cut the center section by duplicating the miter on one end and measuring from the long point of the miter. (Fig. 1)
- * Insert foam plugs (ITEM #19) into each end of the Stall Curbs and recess 1/8". Fill 1/8" void with silicone. (Fig. 3)
- * Insert a two setting blocks (ITEM #18) in the curb section where each side lite panel will sit. (Fig. 4)
- * Insert 2 Curb Clips (ITEM #21) into each curb and run a bead of silicone on the face of the two miters where they meet to seal the corners. (Fig. 2)
- * Set the curb in place centered over where you measured, secure with painters tape.
- * Move the Setting Blocks to the center of the Stall Curbs.
- * Verify weep holes are oriented to the inside of shower.
- * Do not screw the curb to threshold.



(Fig. 2)



(Fig. 3)
Fill void with silicone.
Push towards walls
after curb is set in place.

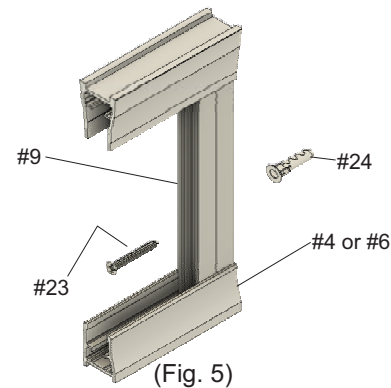


(Fig. 4)
Insert setting
blocks
into curb

*ASD2/3NEO: follow above instructions except there will be only one side lite panel and the door.

STEP 2 - Wall Channel (#5)

- * Insert Wall Channel (ITEM #9) into curb, and against one wall. Plumb channel with a level. (Fig. 5)
- * Mark the hole locations onto the wall. Remove the channel.
- * Drill marked locations with 3/16" drill bit
- * Insert 3 Wall Anchors (ITEM #24).
- * Re-insert channel and secure with 3 screws (ITEM #23).
- * Repeat above step with second wall channel at opposite wall.



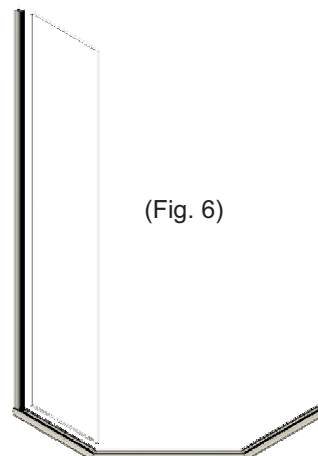
(Fig. 5)

If installing an ASD2/3NEO, use same steps, but there will be only one side

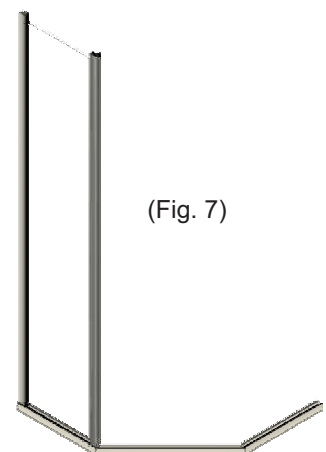
STEP 3 - 135° Post(s) & 3/16" Fixed Panel(s):

- * Set 3/16" Glass Panel into Curb and Wall Channel. (Fig. 6)
- * NOTE: If patterned or frosted glass is used, ensure that the rough side faces outward.
- * Insert the 135° Post (ITEM #10) into the Stall Curb and over the edge of the Side Lite Panel. (Fig. 7)
- * Temporarily hold the post and glass in place by glazing the top 1" – 2" of the panel into the channels. This is done by inserting (ITEM #22) vertical glazing Vinyl between glass and channel. Do not cut the vinyl at this time.
- * Repeat steps with second side lite panel. (Fig. 7)

ASD-2/3NEO follow steps but there will only be one side lite panel. (Fig. 8 & 9)



(Fig. 6)



(Fig. 7)

Installation Instructions

Models: ASDNEO/ASD2/3NEO

1/4" Semi Frameless Door & 135° Panel(s)

STEP 4 - Stall Header

- * Use a level to plumb the 135° post, then measure from the wall to the outside corner of the 135° Post. Add 1/8" to this dimension and cut the header section to length.
- * Repeat at opposite wall. (Fig. 8)
- * Cut the center section header to the same length as the center section curb.
- * Set headers down and Insert 4 - Header Clips (ITEM #21) into the headers. Apply the header plates, (ITEM # 20).
- * Holding the header miters and plate together, mark the holes of the Plate onto the headers. (Fig. 9)
- * Drill through the headers with a #32 Wire Gauge drill bit. secure with 8 - #6 X 3/8 FHPHMS (ITEM #27). (Fig. 9)
- * Set header over the top of the vertical posts. Verify that the miters in the stall curb has not separated. Realign as necessary. (Fig. 12)

ASD2/3NEO:

- * Plumb the 135° post and measure from each wall to the outside corner of the post. Add 1/8" to each dimension and cut Headers to length.
- * From the inside of the shower, attach the header by drilling through the header into the verticals with a #32 wire gauge drill bit. The glass panels should be tilted out of the way while drilling holes. (Fig. 12)
- * Secure header with 4- #6 X 3/8 PHPHSMS (ITEM #12).
- * Secure the curb at the 135° Post(s) using the same method. (Fig. 12)

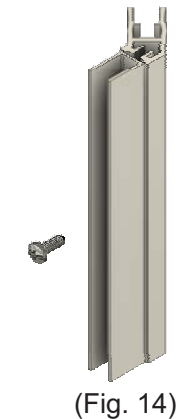
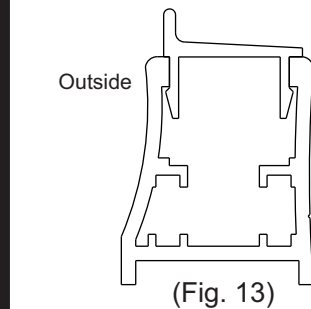
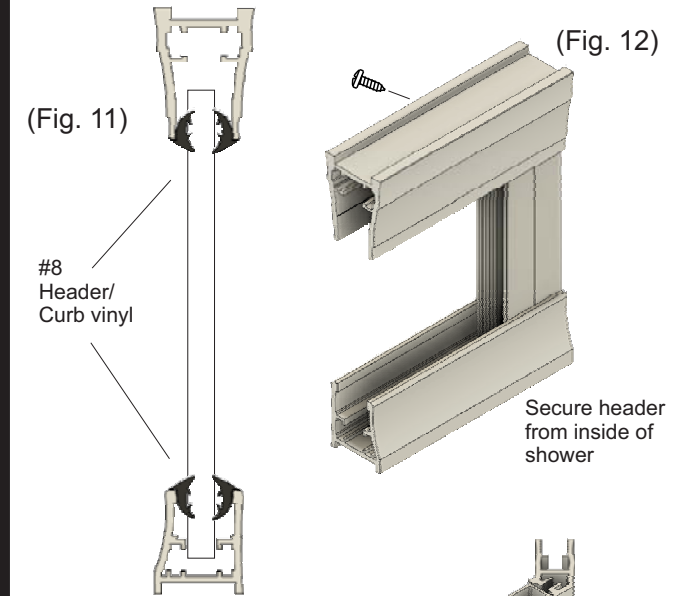
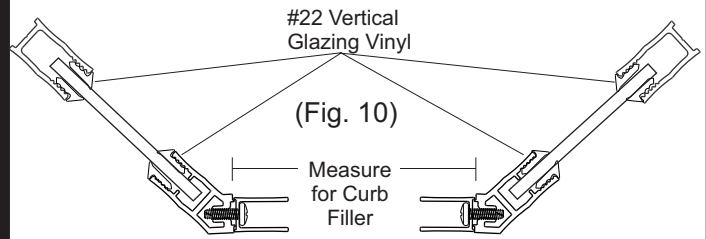
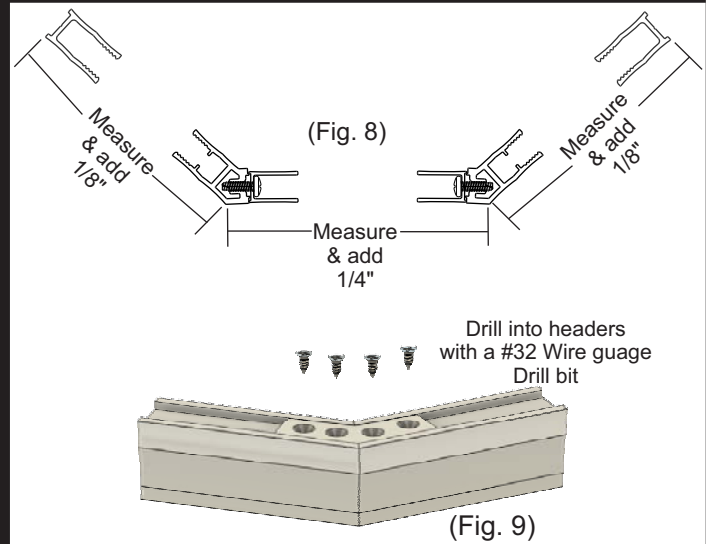
STEP 5 - Vinyl Glaze Side Lite Panel(s)

- * Center a Side Lite Panel(s) between its posts
- * Glaze vertical post(s) and wall channel(s) with Glazing Vinyl (ITEM #22).
- * Glaze the top and bottom of the panel with 4 - Header/ curb Glazing Vinyl (ITEM #8).

Note: The vinyl seals are designed to be tight to provide maximum water protection and minimize shrinkage. If it becomes difficult to push in the vinyl, use glass cleaner to lubricate it while installing it.

ASD2/3 NEO Follow same steps except there is only one Side Lite panel

- * Measure between the 135 posts and cut the curb filler to this length. Snap into place with the water dam to the outside of the unit. (Fig. 10)
- * Install Jamb Filler against 1029 Post as shown using #XX 10-24 X 9/16 PHPHMS. Repeat for second Jamb filler. (Fig. 10 & 14)
- * ASD2/3 NEO Measure between the 135 post and the wall and cut the curb filler to length



Installation Instructions

Models: ASDNEO / ASD2/3NEO

1/4" Semi Frameless Door & 135° Panel(s)

STEP 6 - Latch and Door Installation

- * Measure the distance from the top horizontal surface of the curb filler, the surface that the jamb fillers are setting on to the bottom of the header assembly. Transfer this dimension to the hinge jamb, measuring from the bottom and make your mark at the top of the jamb. Insert a hacksaw into the notch that is at the top of the hinge jamb and saw down to the mark you made earlier then notch it off as shown. This procedure can be performed while the jamb is attached to the glass. Fig. 15
- * Set the Latch Jamb (ITEM #15) in place over the appropriate vertical post, but do not secure at this time. Orient the door so that it will open outwards and slide Hinge Jamb (which is connected to the door) over the opposite post.
- * Adjust the Hinge and latch jamb somewhat equally off their respective vertical posts, (Primary Adjustment).
- * Adjust door to ensure the top of the door is parallel with the bottom of the header.
- * From the inside of the shower, drill the top hole on the Hinge Jamb into the vertical post with a #32 wire gauge drill bit.
- * Secure with a #8 X 1/2 PHPHMSMS TEK (ITEM #29). Re-check the door alignment and repeat the procedure for the middle and bottom screws.

Step 7 - Handle

- * Dis-assemble handle assembly then reverse the procedure and install into the 1/2" handle holes in the door panel.

Step 8 - Drip Assembly

- * Take the door sweep #12 and slide it into the bottom of the drip deflector, #15.
- * Set the Drip Deflector over the bottom edge of the door with the deflector portion to the inside of the shower. With a mallet or block of wood, gently tap the deflector over the edge of the door panel as far as it will go. Then close the door and tap the deflector down so that the vinyl is 1/16" from touching the curb filler.

Step 9 - Apply Adhesive Magnet Strip

- * Remove the adhesive magnet off of the latch jamb magnet and note that the index grooves are on the same side.
- * Keep indexes on the same side, (Fig.16) peel off the red backing and apply the magnet to the vertical edge of the door panel. Trim at the top of the glass and trim the bottom off at the top of the Drip Assembly.

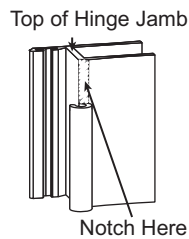
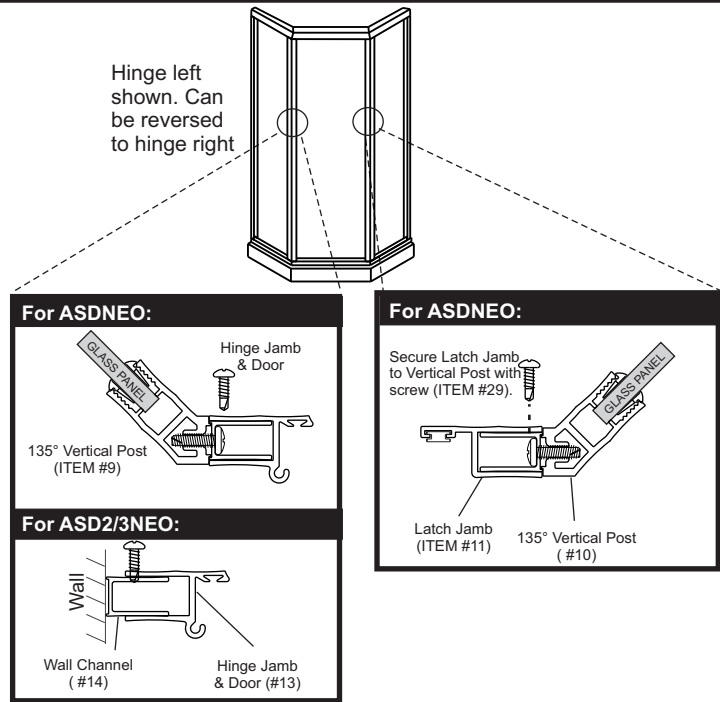


Fig. 15

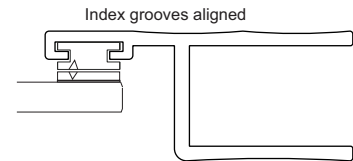


Fig. 16

Installation Instructions

Models: ASDNEO / ASD2/3NEO

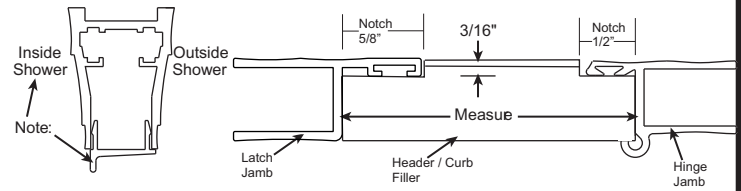
1/4" Semi Frameless Door & 135° Panel(s)

Step 10 - Adjust and Secure Latch Jamb

* Adjust the latch reveal so that it is even all the way down and centered over the magnet on the door.

* Secure the latch jamb with 3 - #8 X 1/2 PH TEK (#14) screws.

* If the magnets repel each other, remove and reverse the magnet in the latch jamb.



Step 11 - Header Filler. Measure between the hinge jamb and the latch jamb and cut header filler to this length. Notch both ends per diagram below. Make sure that the short leg that hangs down is to the inside of the shower door.

STEP 12 - Silicone Sealant on Outside Perimeter

* Run a bead of 100% silicone sealant the full length on the outside of the shower where the shower door framing meets the walls and threshold.

* Allow 24 hours for silicone to cure before using your shower.

